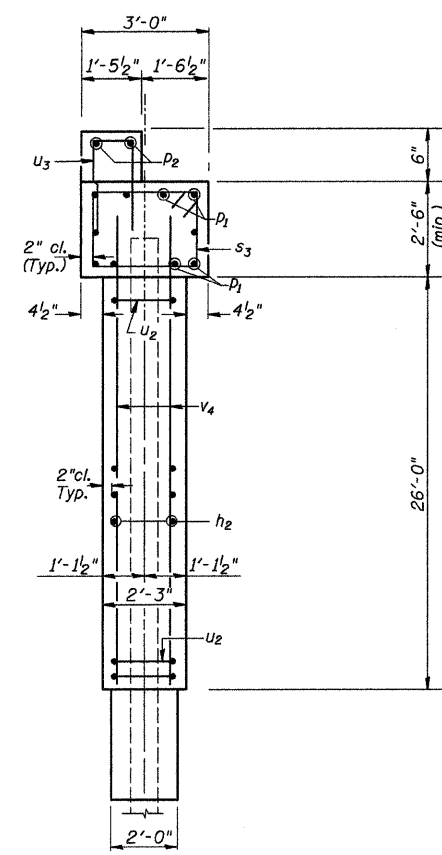
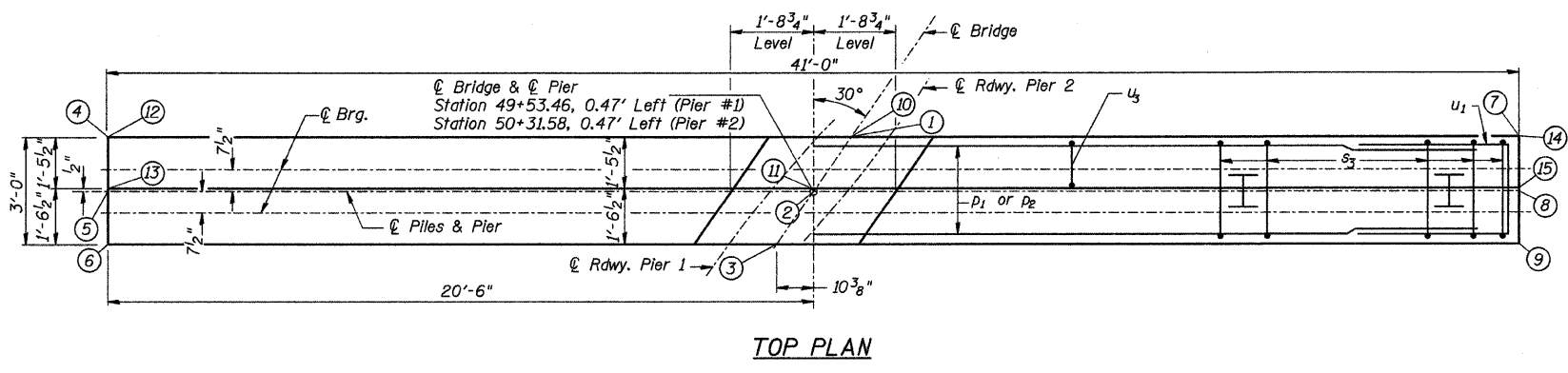
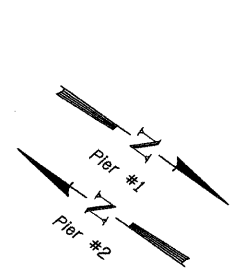


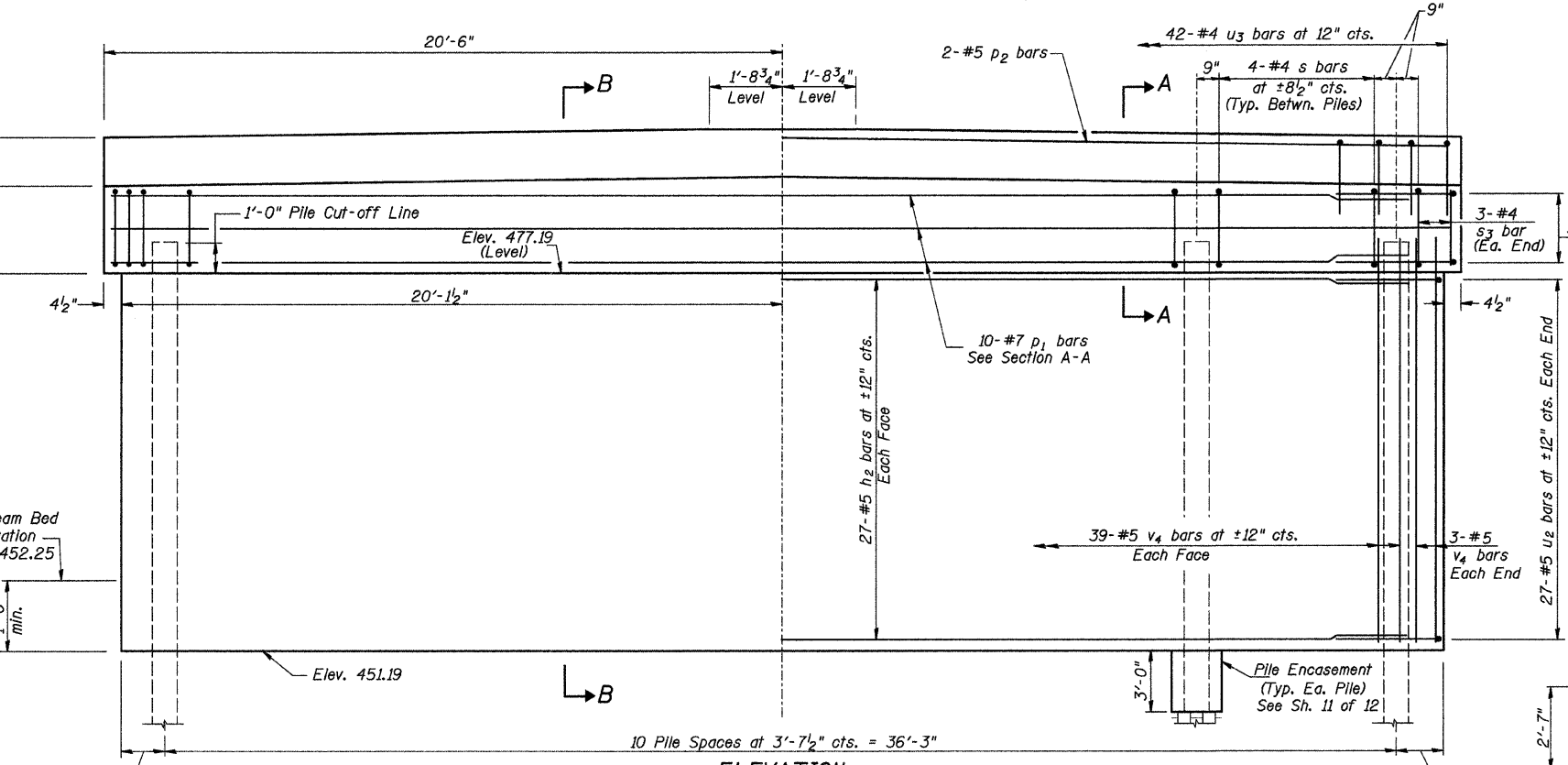
NOTES:
All edges shall have standard
3/4" chamfer.

ROUTE NO.	SECTION	COUNTY	DATE	SHEET
CH 9	*	CASS	29	17
FED. ROAD DIST. NO. 7		ILLINOIS	PROJECT	BRS-580(105)
*04-00068-00-BR		CONTRACT # 93474		

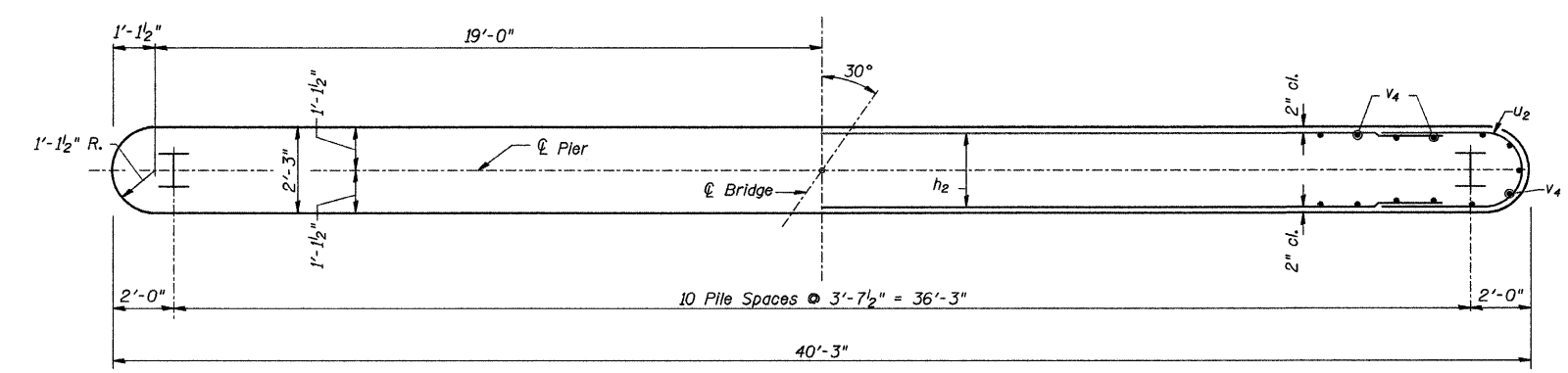
SHEET NO. 10
OF 12 SHEETS



SECTION B-B

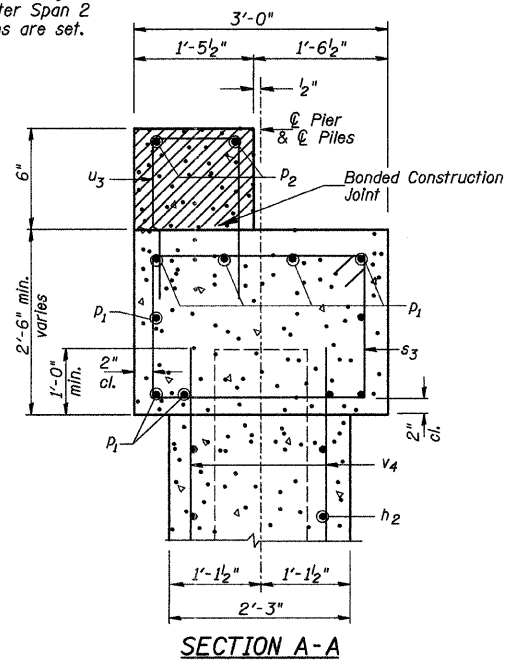


ELEVATION
(Pier #1 - Looking West
Pier #2 - Looking East)



FOOTING PLAN

PILE DATA
Type & Size: Steel HP12x53
Nominal Required Bearing: 405 kips
Factored Resistance Available: 203 kips
Est. Length: 69' Pier #1
80' Pier #2
No. Req'd.: 22 (Includes 1 Test Pile at Each Pier)



SECTION A-A

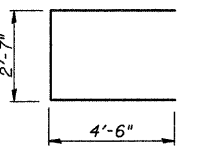
TWO PIERS
BILL OF MATERIAL

BAR	NO.	SIZE	LENGTH	SHAPE
h ₂	108	#5	37'-8"	—
p ₁	20	#7	40'-9"	—
p ₂	4	#5	40'-9"	—
s ₃	92	#4	10'-5"	□
u ₁	12	#6	11'-7"	⊓
u ₂	108	#5	7'-0"	⊓
u ₃	84	#4	3'-9"	⊓
v ₄	168	#5	26'-10"	—
Concrete Structures		CU YD	198.6	
① Reinforcement Bars		POUND	12,630	
Structure Excavation		CU YD	30	
Furnishing Steel Piles HP12x53		FOOT	1,490	
Driving Piles		FOOT	1,490	
Test Pile Steel HP12x53		EACH	2	
Concrete Encasement		CU YD	7.7	
① Underwater Structure Excavation Protection, Location 1		EACH	1	
① Underwater Structure Excavation Protection, Location 2		EACH	1	

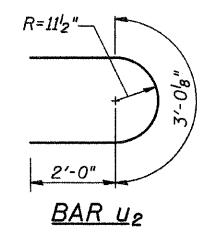
① See Special Provisions

TABLE OF ELEVATIONS

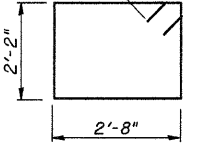
LOCATION	DESCRIPTION	ELEVATION
①	Top of Cap	479.96
②	Top of Cap	479.96
③	Top of Cap	479.96
④	Top of Cap	479.69
⑤	Top of Cap	479.71
⑥	Top of Cap	479.72
⑦	Top of Cap	479.72
⑧	Top of Cap	479.71
⑨	Top of Cap	479.69
⑩	Top of Step	480.46
⑪	Top of Step	480.46
⑫	Top of Step	480.19
⑬	Top of Step	480.21
⑭	Top of Step	480.22
⑮	Top of Step	480.21



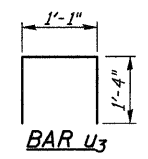
BAR U₁



BAR U₂



BAR S₃



BAR U₃

PIERS
COUNTY HIGHWAY 9 OVER
INDIAN CREEK
SEC. 04-00068-00-BR
CASS COUNTY
STATION 49+92.52