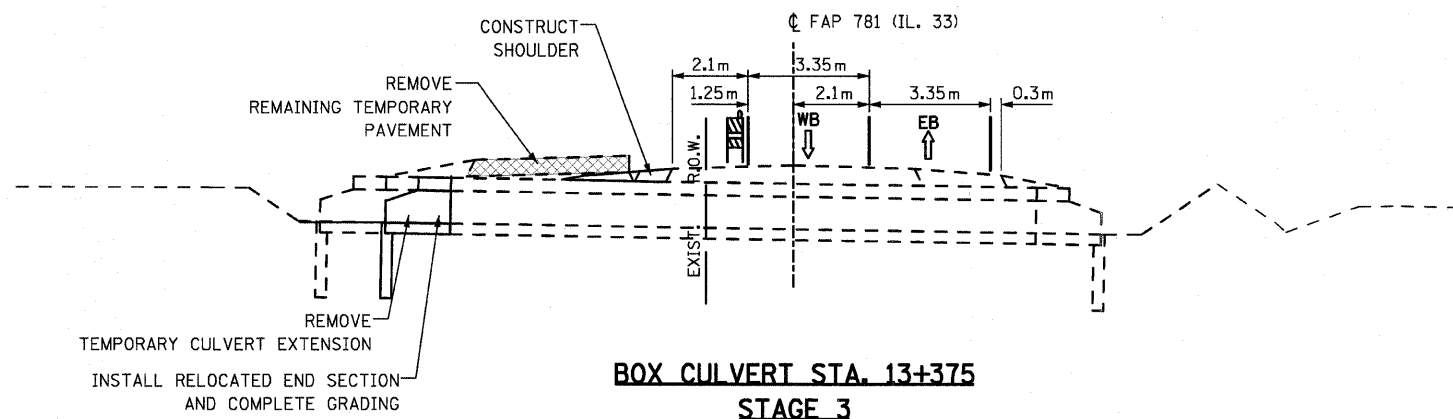
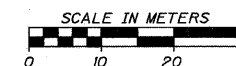


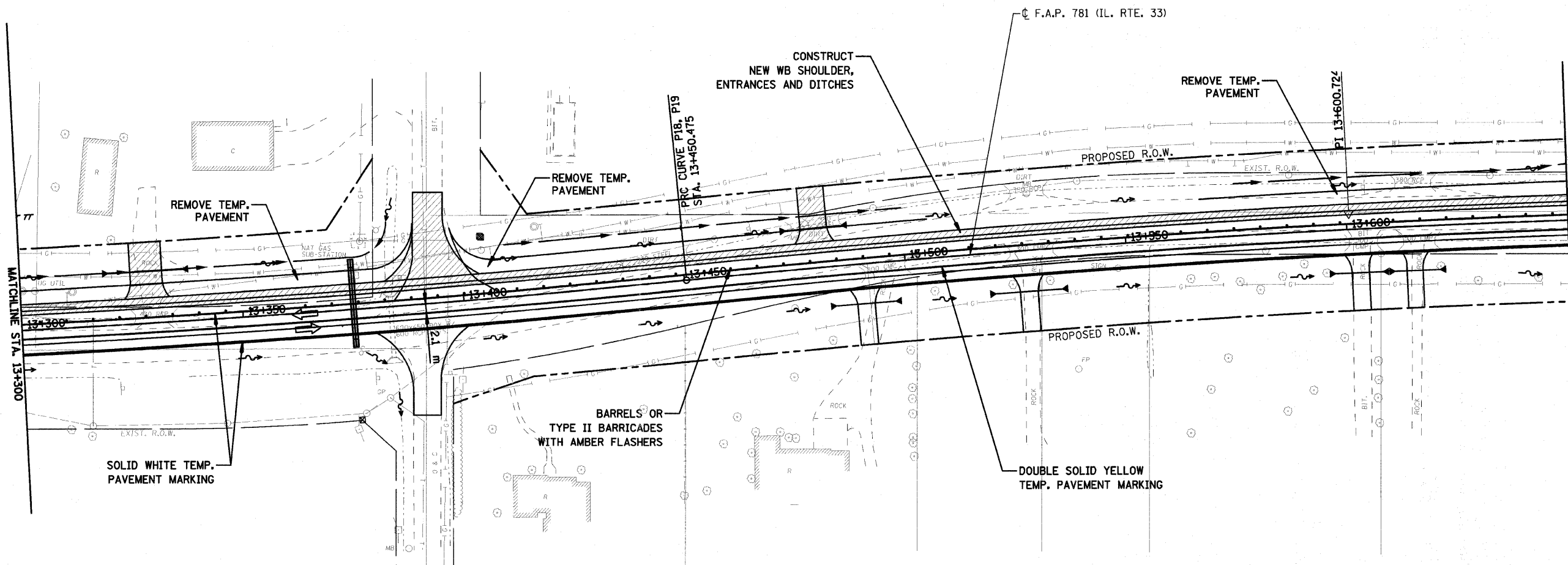
F.A.P. RTE.	SECTION	COUNTY	TOTAL SHEET SHEETS	NO.
781	1YRS, 2ZRS-1	CRAWFORD	378	119
STA. TO STA.				
FED. ROAD DIST. NO.	ILLINOIS	FED. AID PROJECT		

**LEGEND**

 CONSTRUCTION THIS STAGE

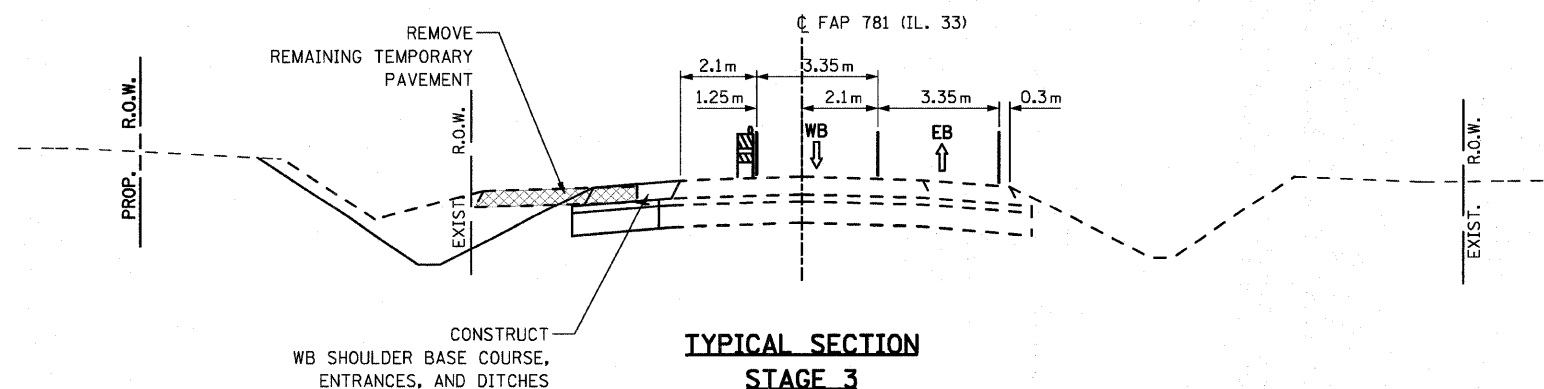


**BOX CULVERT STA. 13+375  
STAGE 3**



**NOTES:**

1. MAINTAIN TEMPORARY AGGREGATE ENTRANCES AS NEEDED TO MAINTAIN ACCESS.
2. TWO-WAY / TWO-LANE TRAFFIC SHALL BE RESTORED AT THE END OF THE WORK DAY. TWO-WAY / ONE-LANE TRAFFIC SHALL BE USED ON A LIMITED BASIS, WHEN REQUIRED, UTILIZING THE APPROPRIATE STANDARD.
3. FINAL HMA SURFACE COURSE SHALL BE PLACED THROUGHOUT THE PROJECT LIMITS AS A SEPARATE STAGE.



**TYPICAL SECTION  
STAGE 3**

PLOT DATE = 11/6/2008  
FILE NAME = H:\4420\Final\Drawings\0794533\SH1\_119\_stage3\_2.dgn

HMG JOB NO. 4420