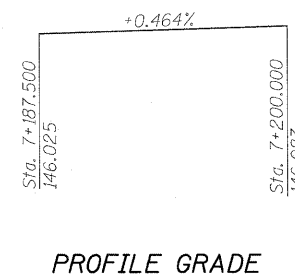
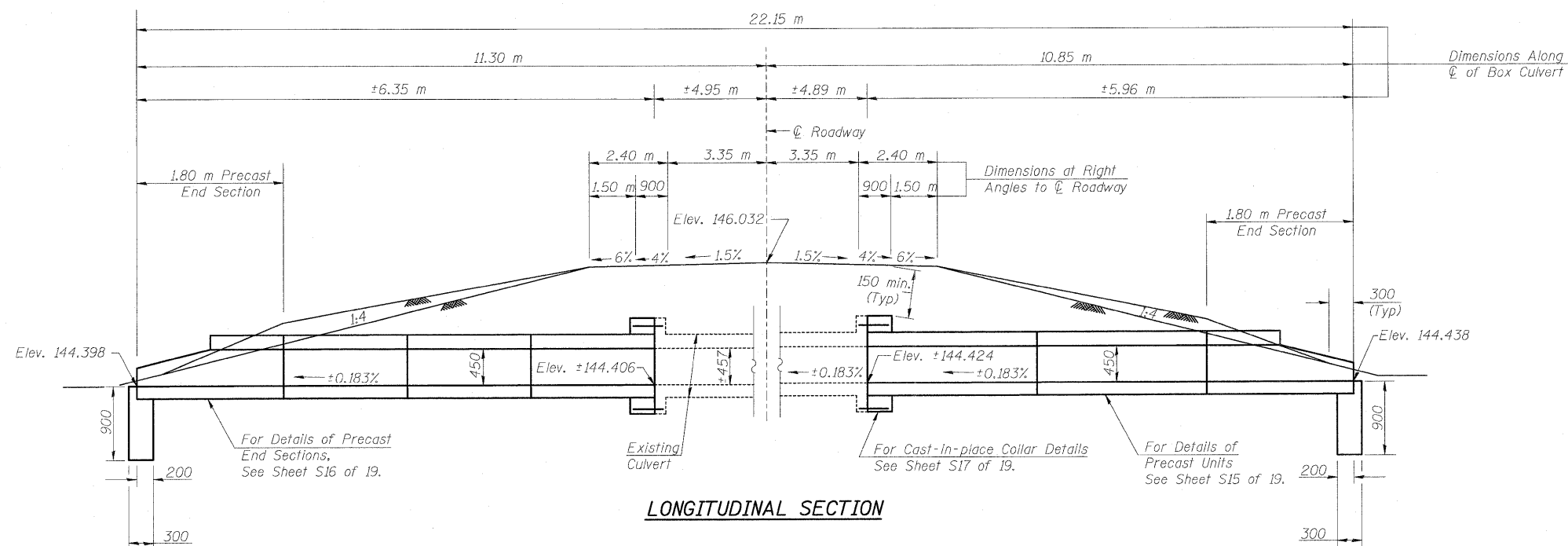


| F.A.P. RTE. | SECTION | COUNTY | TOTAL SHEETS | SHEET NO. |
|---------------------|--------------|----------|------------------|-----------|
| 781 | 1YRS, 2ZRS-1 | CRAWFORD | 378 | 188 |
| STA. | | TO STA. | | |
| FED. ROAD DIST. NO. | | ILLINOIS | FED. AID PROJECT | |

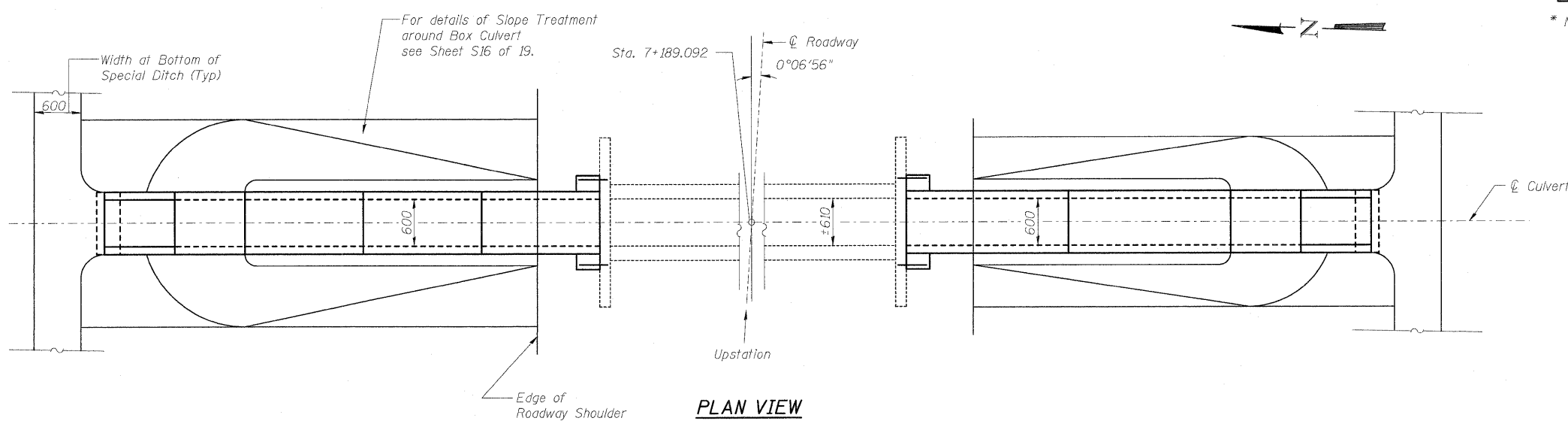
Existing Structure: The structure is a single barrel 610 mm x 457 mm box culvert at a skew of 0°6'56" right forward. The culvert has an overall length of 9.84 m. The contractor shall extend the culvert on each end for the dimensions shown.



BILL OF MATERIAL - BOX CULVERT NO. 10

| Item | Unit | Total |
|---|--------|-----------|
| M5030350 Concrete Structures | cu. m. | 0.4 |
| M5080205 Reinforcement Bars, Epoxy Coated | kg | 90 |
| M5401002 Precast Concrete Box Culvert (600x450) | m | 8.7 |
| * 5401010 Box Culvert End Section, Culvert No. 10 | Each | 2 |
| * M5403220 Expansion Bolts (M20x250) | Each | 20 |
| M2810707 Stone Riprap, Class A4 | sq. m. | See Plans |

* Non-standard size.



PLOT DATE = 3/20/2008
FILE NAME = H:\4420\44205\Lin Eng\design Files\12-18-2006\15-07.dgn

| REVISIONS | | ILLINOIS DEPARTMENT OF TRANSPORTATION BOX CULVERT EXTENSIONS GENERAL PLAN & ELEVATION BOX CULV. NO. 10, STA. 7+189.092 |
|-----------|------|---|
| NAME | DATE | |
| | | SCALE NONE DATE DECEMBER 10, 2006 DRAWN BY MLB CHECKED BY MTH |
| | | |
| | | |
| | | |
| | | |