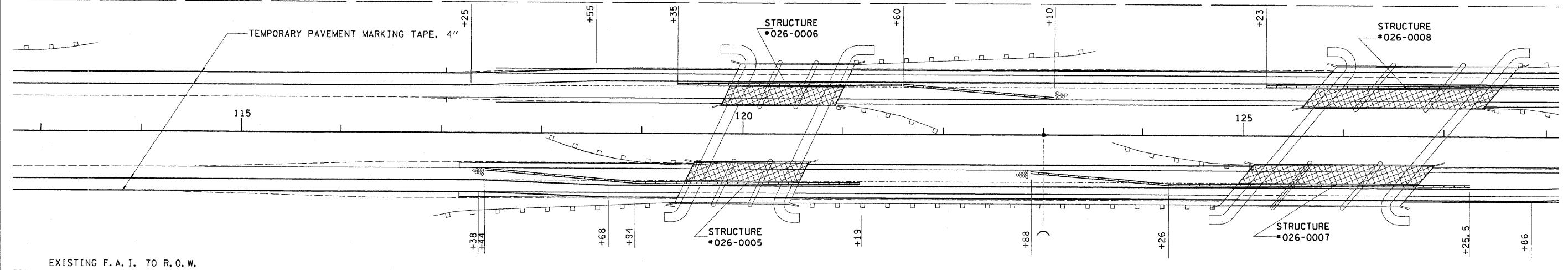
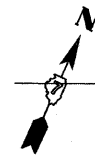
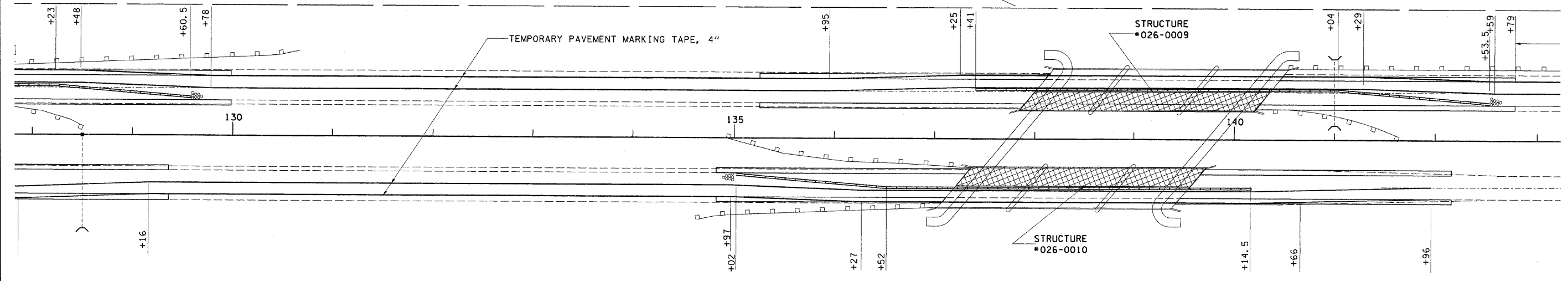


EXISTING F. A. I. 70 R. O. W.



EXISTING F. A. I. 70 R. O. W.

CONSTRUCTION AREA



CONSTRUCTION AREA

• D-7 BRIDGE DECK REPAIRS

FILE NAME =	USER NAME = swartzrw	DESIGNED -	REVISED -
c:\pwwork\pwwork\swartzrw\dms50711\shfts	page2_94993.dgn	DRAWN -	REVISED -
	PLOT SCALE = 50.0000' / IN.	CHECKED -	REVISED -
	PLOT DATE = 10/17/2008	DATE -	REVISED -

STATE OF ILLINOIS  
DEPARTMENT OF TRANSPORTATION

STAGE II TRAFFIC CONTROL

SCALE: 50 SHEET NO. 3 OF 4 SHEETS STA. 113+00 TO STA. 143+00

F.A.I. RTE.	SECTION	COUNTY	TOTAL SHEETS	SHEET NO.
70		FAYETTE	59	14
CONTRACT NO. 94993				
FED. ROAD DIST. NO. ILLINOIS FED. AID PROJECT				