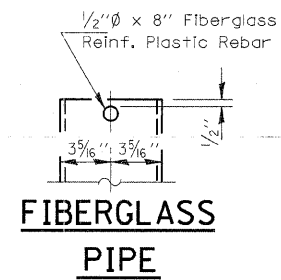
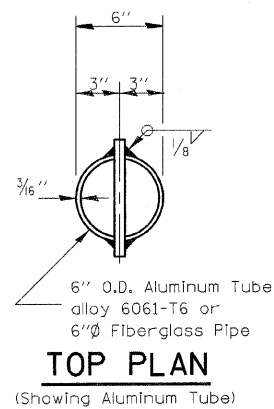


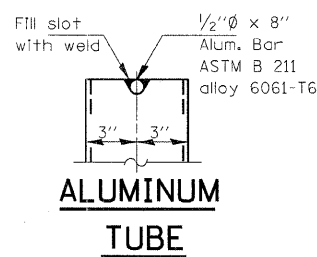
TOP PLAN



FIBERGLASS PIPE

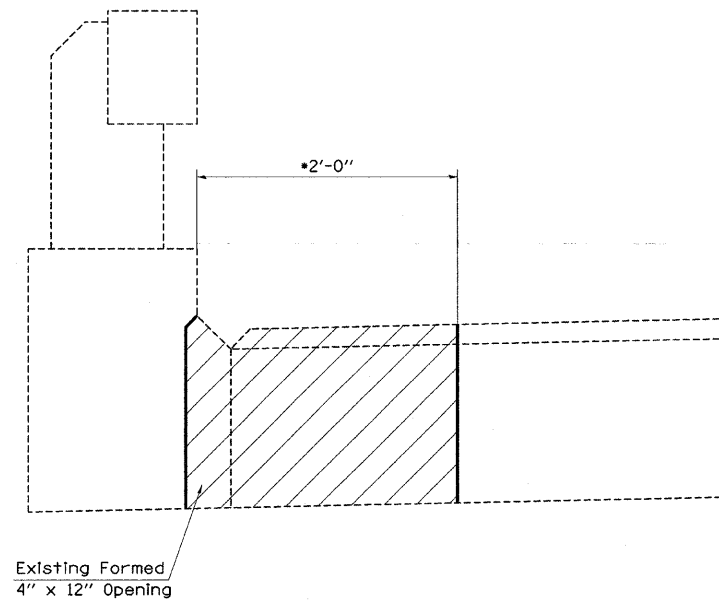


TOP PLAN
(Showing Aluminum Tube)



ALUMINUM TUBE

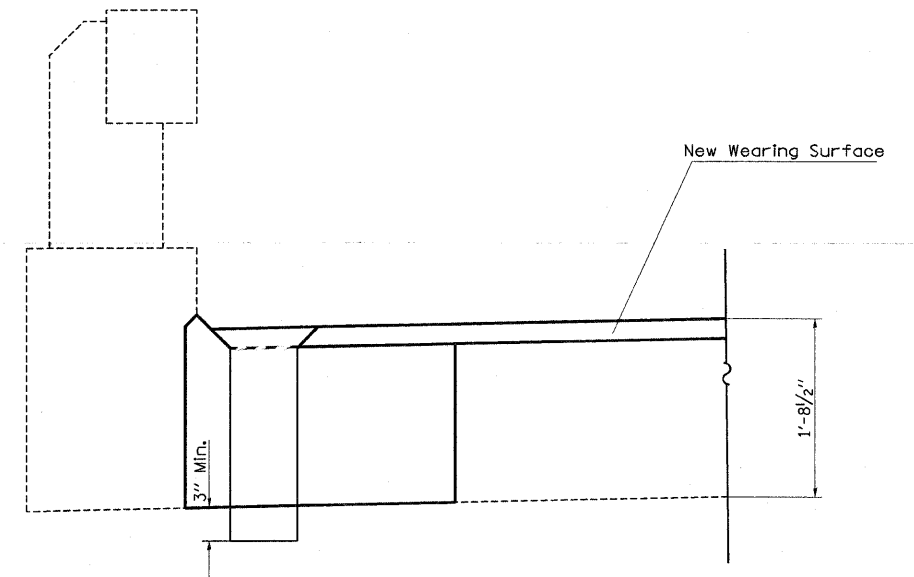
• Dimensions shall be determined by the Engineer in the field based on extent of deck deterioration at each drain.



SECTION THRU EXISTING FLOOR DRAIN

Hatched area indicates concrete removal at floor drain replacement.

Cost included with Deck Slab Repair (Full Depth Type I)



DRAIN REPLACEMENT DETAIL

Note: See "Bridge Deck Patching" plan sheets for Floor Drain replacement locations. See "Total Bill of Materials" for each structure for quantities.

Note:
Fiberglass pipe shall conform to ASTM D 2996, with short-time rupture strength hoop tensile stress of 30,000 p.s.i. minimum.

SHEET NO. 8
8 SHEETS

| | | | | | | | | | | |
|--|--|--|---|---|-------------------------|-------------------|---|-------------------|--------------------|-----------------|
| FILE NAME = c:\pwork\pwork\DOT\SWARTZRW\dms36208\thel... USER NAME = swartzrw DESIGNED - DRAWN - CHECKED - PLOT DATE = 10/17/2008 | DESIGNED - DRAWN - CHECKED - DATE - | REVISED - REVISED - REVISED - REVISED - | STATE OF ILLINOIS DEPARTMENT OF TRANSPORTATION | FLOOR DRAIN DETAIL SN. 026-0003 (EB) & SN. 026-0004 (WB) | | F.A.I. RTE. 70 | SECTION D-7 BRIDGE DECK REPAIRS | COUNTY FAYETTE | TOTAL SHEETS 59 | SHEET NO. 23 |
| | | | | SCALE: N/A | SHEET NO. 8 OF 8 SHEETS | STA. TO STA. | CONTRACT NO. 94993 FED. ROAD DIST. NO. ILLINOIS FED. AID PROJECT | | | |