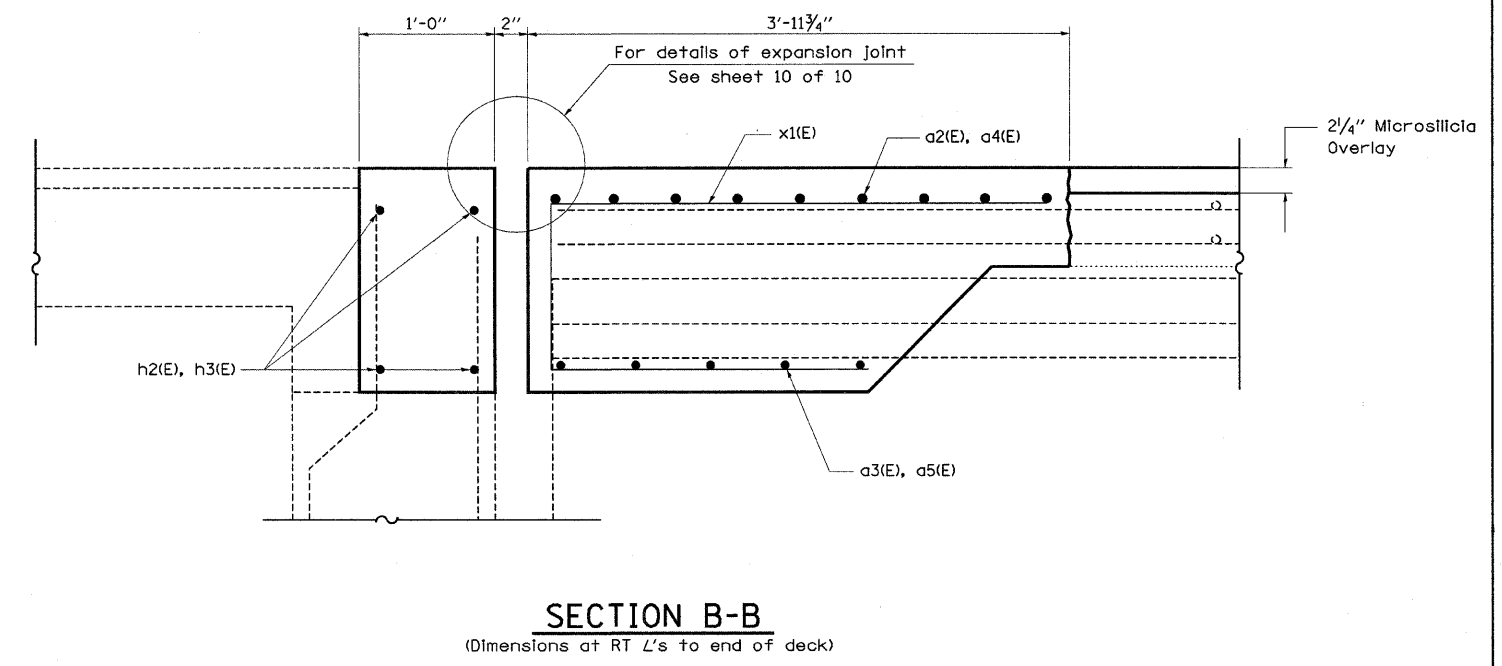
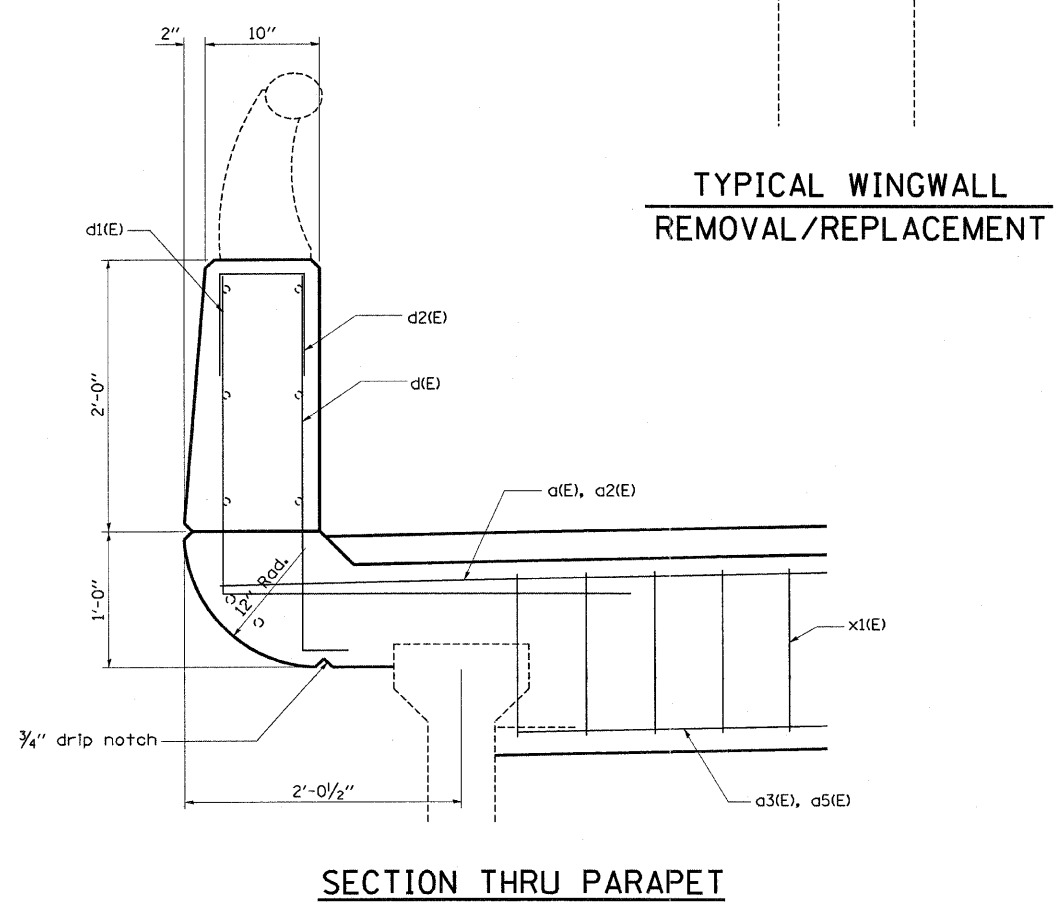


Note: Dimensions are based on a Rolled Rail Strip Seal Joint. If the Contractor elects to use the Welded Rail Strip Seal Joint, deck dimensions may require adjustments to satisfy the details on Base Sheet EJ-SSJ.

- Existing Reinforcement
- Proposed Reinforcement



FILE NAME =	USER NAME = swartzw	DESIGNED -	REVISED -
c:\piv\work\FWIDOT\SWARTZRW\dms36208\th	eladesign_94993.dgn	DRAWN -	REVISED -
PLOT SCALE = 20,000 ' / IN.		CHECKED -	REVISED -
PLOT DATE = 10/17/2008		DATE -	REVISED -

STATE OF ILLINOIS
DEPARTMENT OF TRANSPORTATION

EXPANSION JOINT REPLACEMENT DETAILS
SN 026-0005 (EB) & SN 026-0006 (WB)

SCALE: N/A SHEET NO. 5 OF 10 SHEETS STA. TO STA.

F.A.I. RTE.	SECTION	COUNTY	TOTAL SHEETS	SHEET NO.
70	D-7 BRIDGE DECK REPAIRS	FAYETTE	59	28
FED. ROAD DIST. NO. ILLINOIS FED. AID PROJECT			CONTRACT NO. 94993	

SHEET NO. 5
10 SHEETS