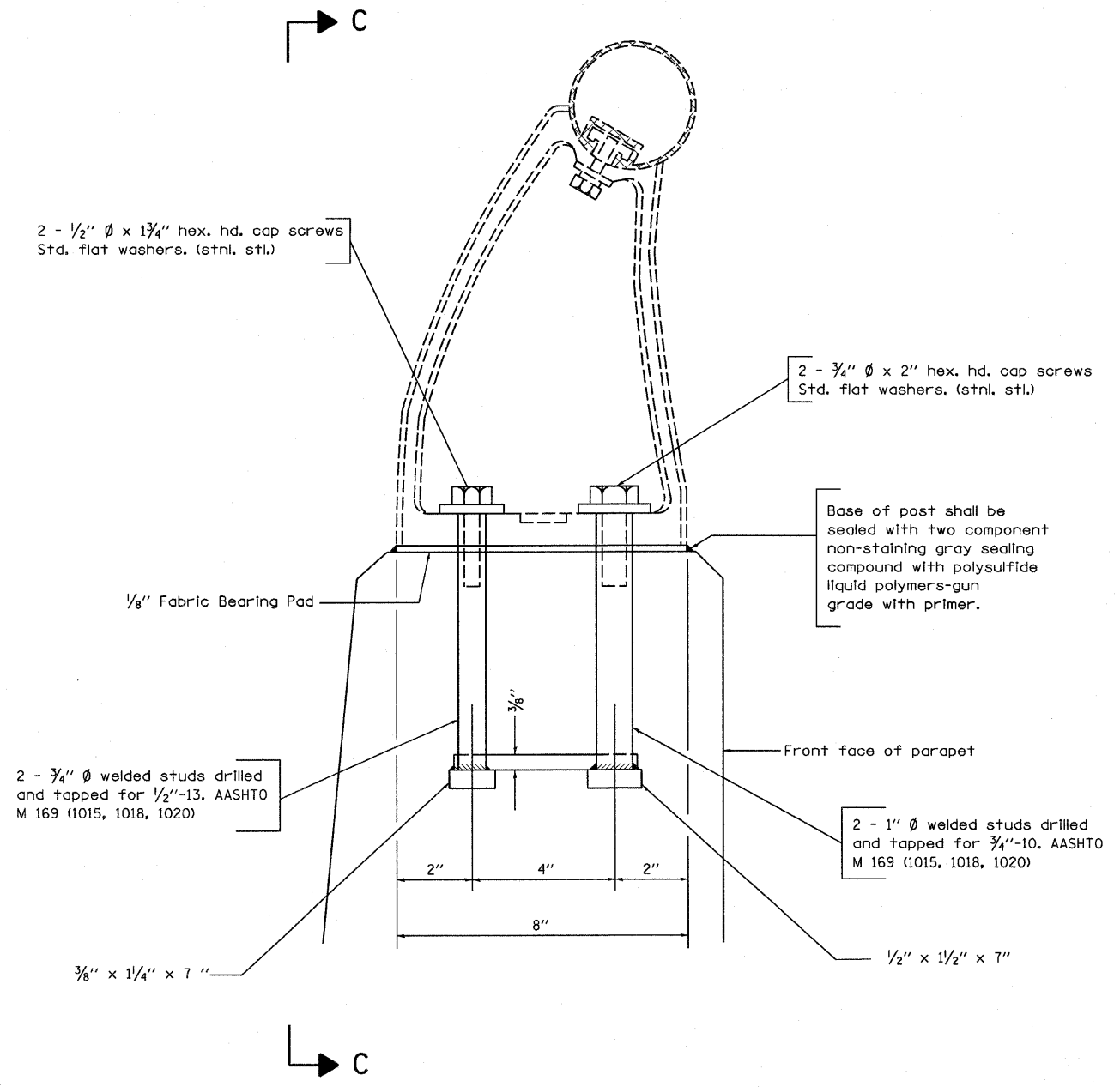


VIEW C-C



Note: New Rail Post anchorage devices will be required at each location where posts are connected to new construction. Cost shall be included with Concrete Superstructure.

FILE NAME =	USER NAME = swartzrw	DESIGNED -	REVISED -
ci:\pwork\NPWIDOT\SWARTZRW\dms36208\desig\design_94993.dgn		DRAWN -	REVISED -
PLOT SCALE = 20,0000 ' / IN.		CHECKED -	REVISED -
PLOT DATE = 10/17/2008		DATE -	REVISED -

**STATE OF ILLINOIS
DEPARTMENT OF TRANSPORTATION**

**RAIL SUPPORT ANCHOR DETAILS
SN. 026-0005 AND 026-0006**

SCALE: N/A SHEET NO. 8 OF 10 SHEETS STA. TO STA.

F.A.I. RTE.	SECTION	COUNTY	TOTAL SHEETS	SHEET NO.
70	D-7 BRIDGE DECK REPAIRS	FAYETTE	59	31
FED. ROAD DIST. NO.			ILLINOIS FED. AID PROJECT	
			CONTRACT NO. 94993	

SHEET NO. 8
10 SHEETS