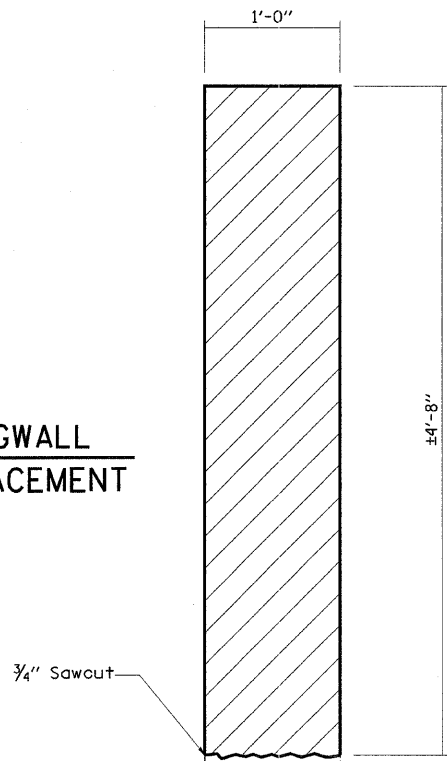
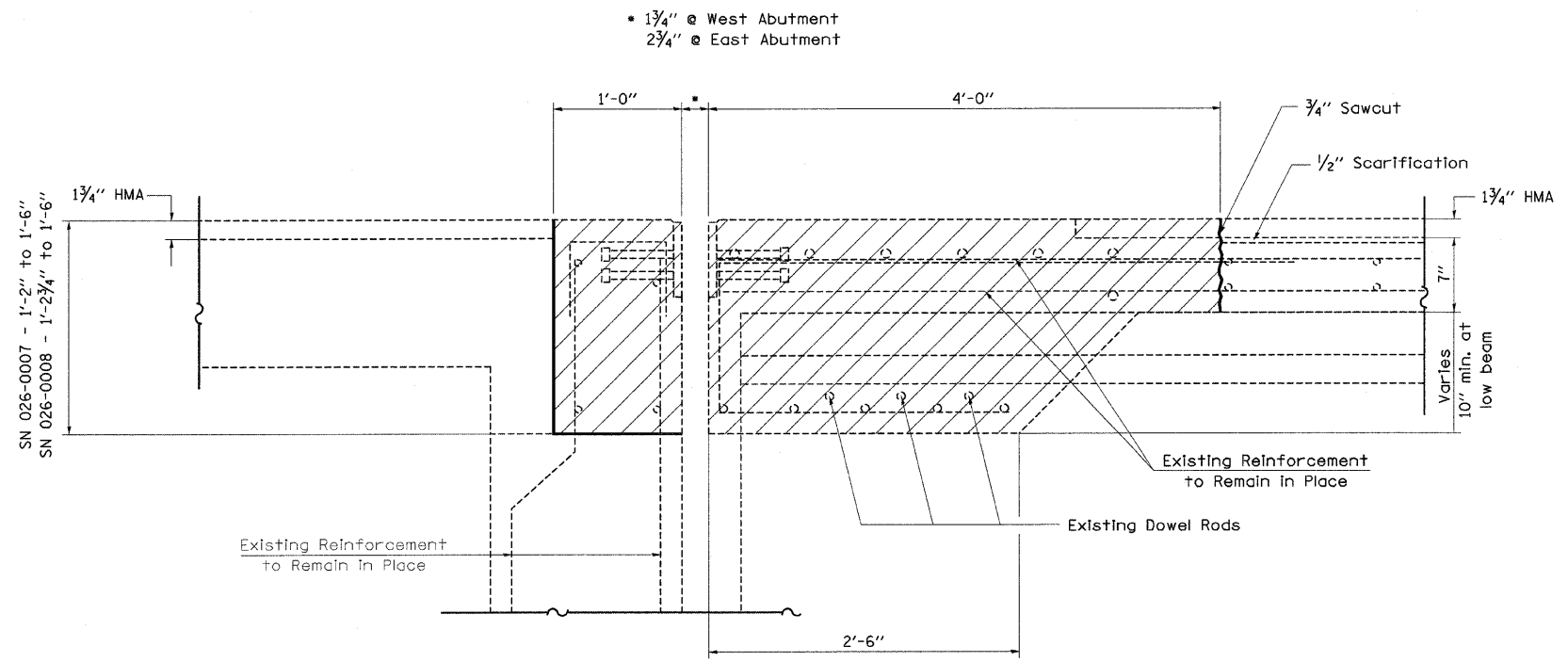


**TYPICAL WINGWALL
REMOVAL/REPLACEMENT**



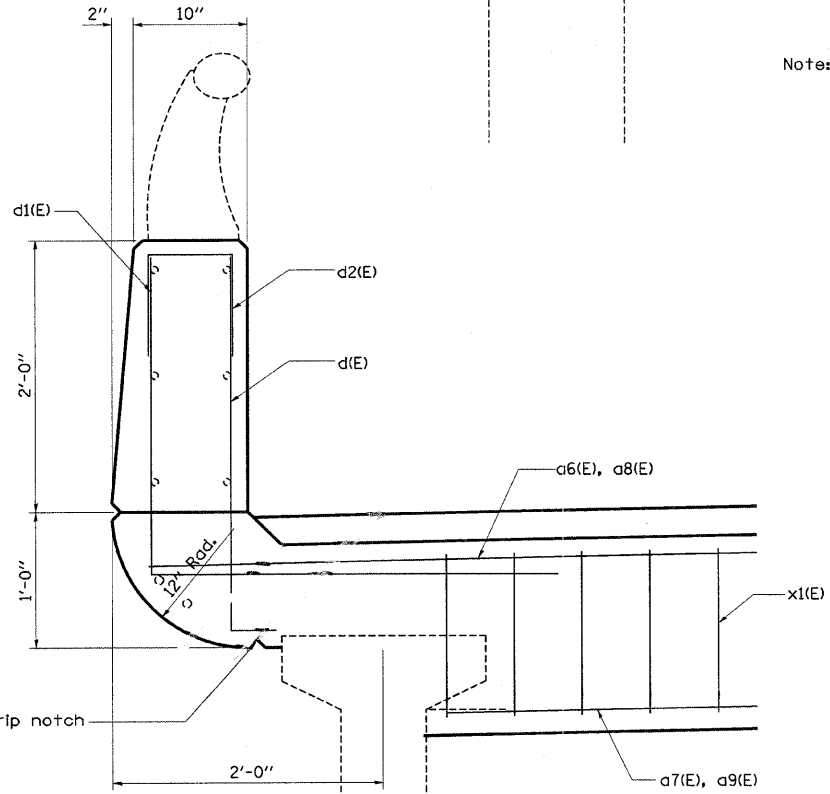
SN 026-0007 - 1'-2" to 1'-6"
SN 026-0008 - 1'-2 3/4" to 1'-6"



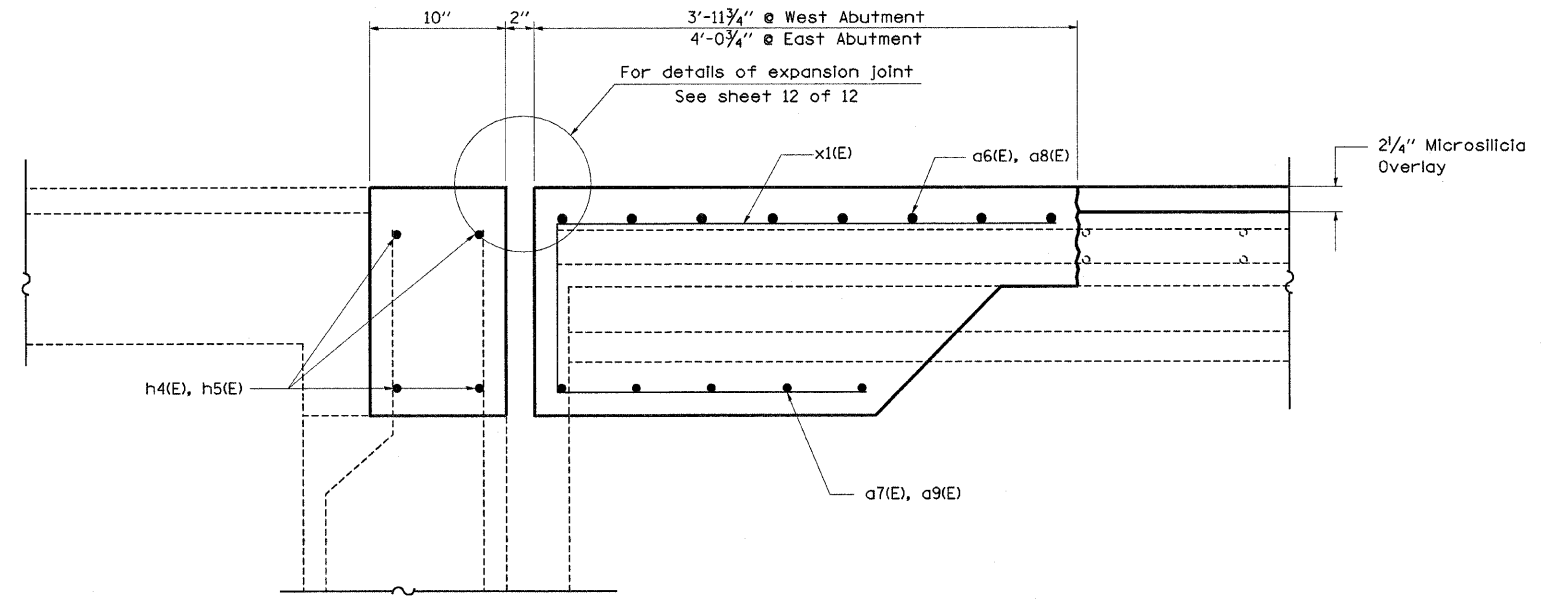
SECTION A-A
(Dimensions at RT L's to end of deck)

○ Existing Reinforcement
● Proposed Reinforcement

Note: Dimensions are based on a Rolled Rail Strip Seal Joint. If the Contractor elects to use the Welded Rail Strip Seal Joint, deck dimensions may require adjustments to satisfy the details on Base Sheet EJ-SSJ.



SECTION THRU PARAPET



SECTION B-B
(Dimensions at RT L's to end of deck)

FILE NAME =	USER NAME = swartzrw	DESIGNED -	REVISED -
ct:\pw\work\PROJECTS\SWARTZRW\dms36288\theledesign-94993.dgn		DRAWN -	REVISED -
PLOT SCALE = 20,0000 ' / IN.		CHECKED -	REVISED -
PLOT DATE = 10/17/2008		DATE -	REVISED -

**STATE OF ILLINOIS
DEPARTMENT OF TRANSPORTATION**

**EXPANSION JOINT REPLACEMENT DETAILS
SN 026-0007 (EB) & SN 026-0008 (WB)**

SCALE: N/A SHEET NO. 5 OF 12 SHEETS STA. TO STA.

F.A.I. RTE.	SECTION	COUNTY	TOTAL SHEETS	SHEET NO.
70	D-7 BRIDGE DECK REPAIRS	FAYETTE	59	38
FED. ROAD DIST. NO. [ILLINOIS] FED. AID PROJECT			CONTRACT NO. 94993	

SHEET NO. 5
12 SHEETS