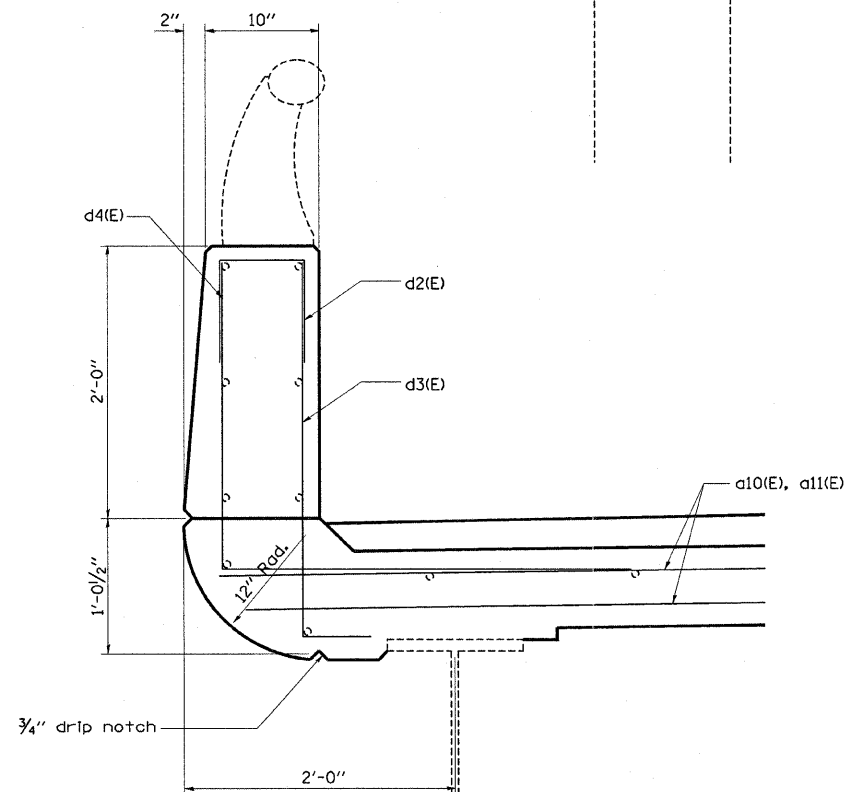
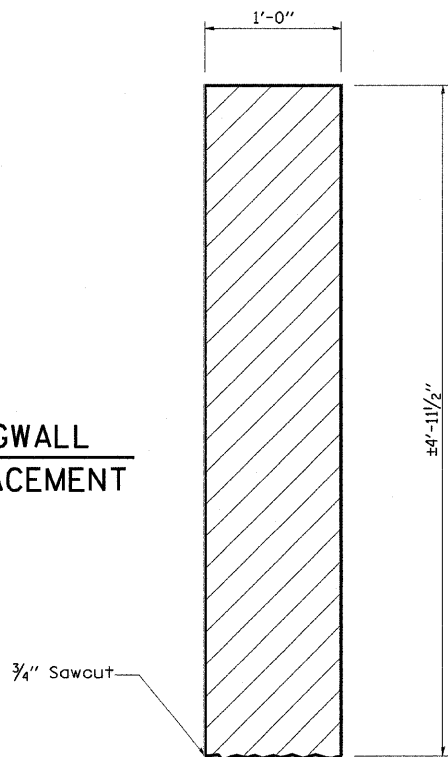
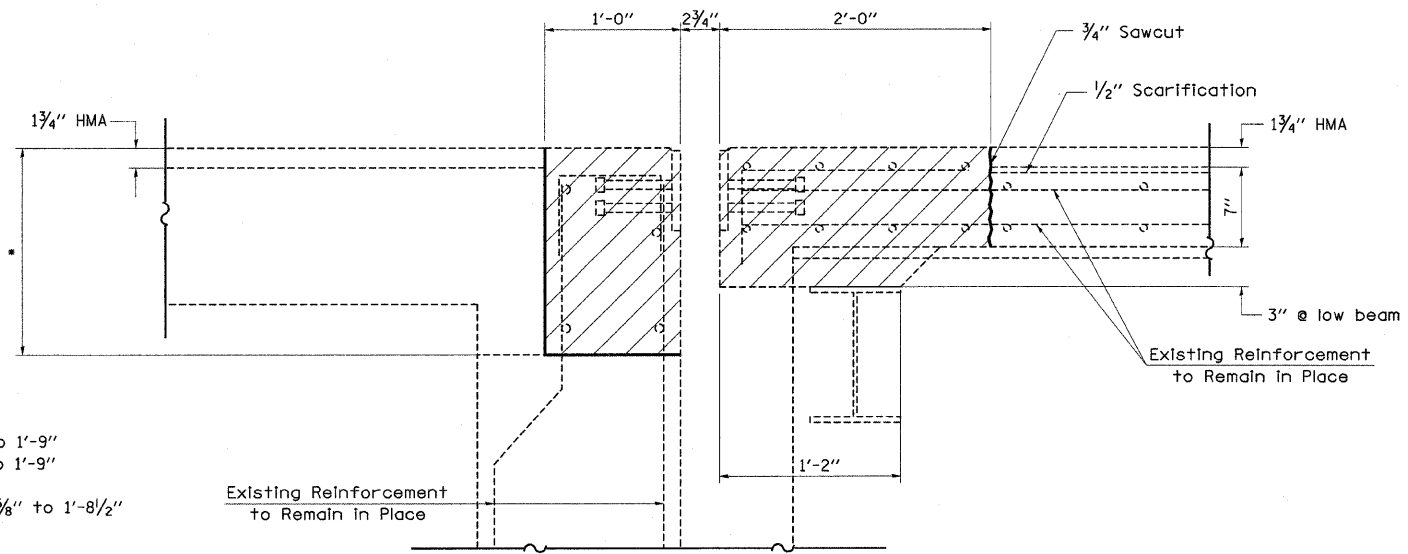


**TYPICAL WINGWALL  
REMOVAL/REPLACEMENT**



**SECTION THRU PARAPET**

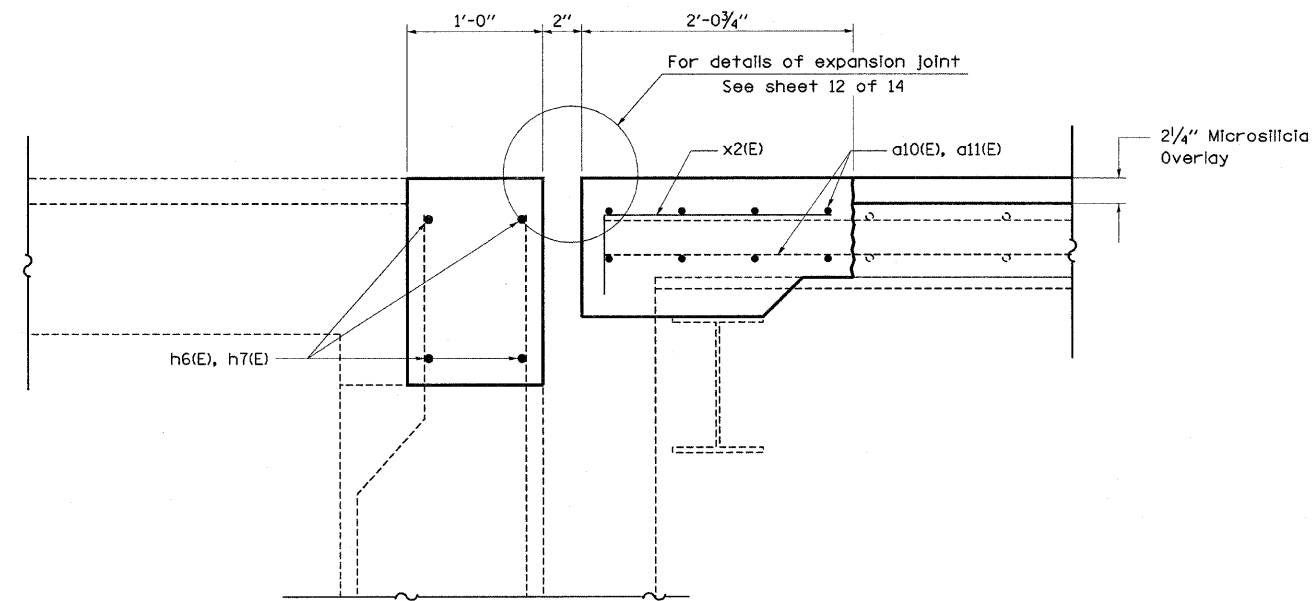


**SECTION A-A**  
(Dimensions at RT L's to end of deck)

- 026-0009  
W. Abut. 1'-4 1/2" to 1'-9"  
E. Abut. 1'-4 3/4" to 1'-9"
- 026-0010  
E. & W. Abut. 1'-4 5/8" to 1'-8 1/2"

Note: Dimensions are based on a Rolled Rail Strip Joint. If the Contractor elects to use the Welded Rail Strip Seal Joint, deck dimensions may require adjustments to satisfy the details on Base Sheet EJ-SSJ.

- Existing Reinforcement
- Proposed Reinforcement



**SECTION B-B**  
(Dimensions at RT L's to end of deck)

FILE NAME =	USER NAME = swartzrw	DESIGNED -	REVISED -
ct:\pvc_work\PW\DOT\SWARTZRW\dms36288\thel	elredesign_94993.dgn	DRAWN -	REVISED -
	PLOT SCALE = 20.0000' / 1" IN.	CHECKED -	REVISED -
	PLOT DATE = 10/17/2008	DATE -	REVISED -

**STATE OF ILLINOIS  
DEPARTMENT OF TRANSPORTATION**

**EXPANSION JOINT REPLACEMENT DETAILS  
SN. 026-0009 (EB) & SN. 026-0010 (WB)**

SCALE: N/A SHEET NO. 5 OF 14 SHEETS STA. TO STA.

F.A.I. RTE.	SECTION	COUNTY	TOTAL SHEETS	SHEET NO.
70	D-7 BRIDGE DECK REPAIRS	FAYETTE	59	50
CONTRACT NO. 94993				
FED. ROAD DIST. NO. ILLINOIS FED. AID PROJECT				

SHEET NO. 5  
14 SHEETS