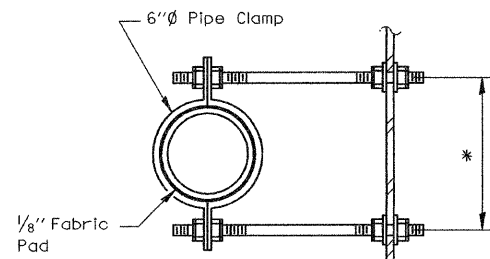
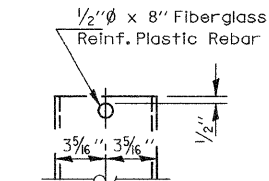


• Dimension as required by Pipe Clamp

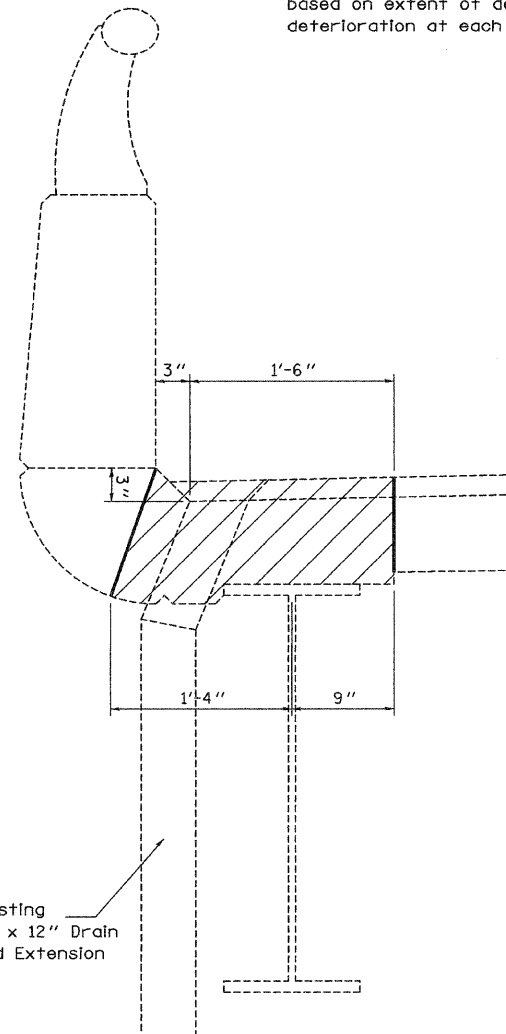


SECTION A-A



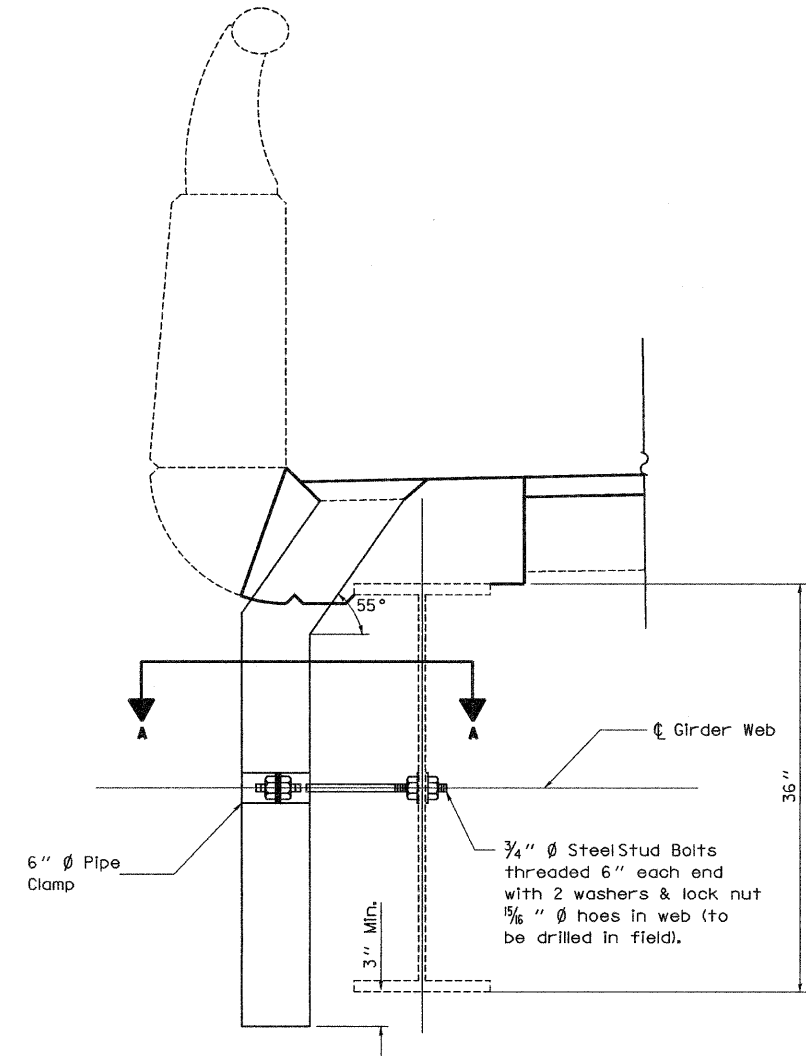
FIBERGLASS PIPE

• Dimensions shall be determined by the Engineer in the field based on extent of deck deterioration at each drain.



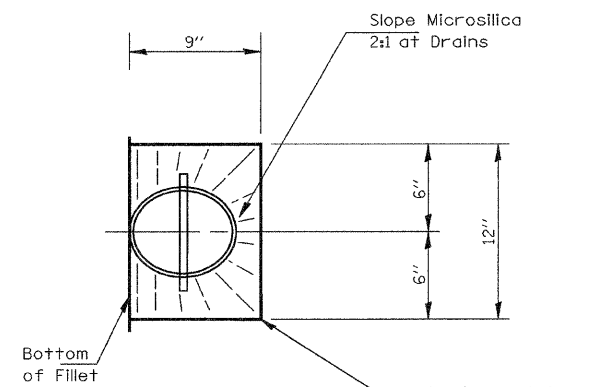
SECTION THRU EXISTING FLOOR DRAIN

Hatched area indicates concrete removal at floor drain replacement.

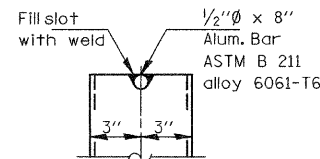


DRAIN REPLACEMENT DETAIL

Note: See "Bridge Deck Patching" plan sheets for Floor Drain replacement locations. See "Total Bill of Materials" for each structure for quantities.

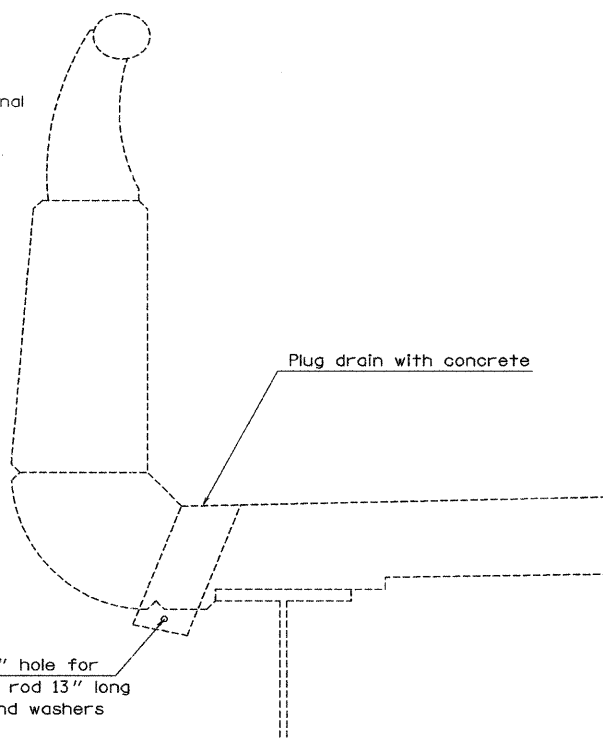


TOP PLAN



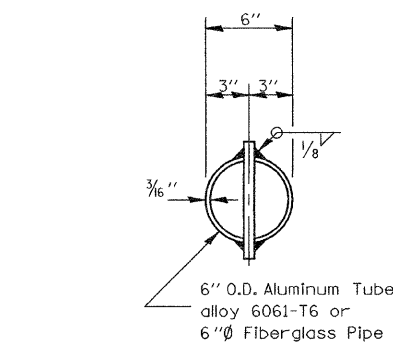
ALUMINUM TUBE

Surface of Original Concrete Deck



DRAINS TO BE PLUGGED DETAIL

Note: See "Existing Deck Drains to Be Plugged" plan sheets for Plug Existing Deck Drains locations. See "Total Bill of Materials" for each structure for quantities.



TOP PLAN

(Showing Aluminum Tube)

Note: Fiberglass pipe shall conform to ASTM D 2996, with short-time rupture strength hoop tensile stress of 30,000 p.s.i. minimum.

FILE NAME =	USER NAME = #USER#	DESIGNED -	REVISED -
#FILE#		DRAWN -	REVISED -
	PLOT SCALE = #SCALE#	CHECKED -	REVISED -
	PLOT DATE = #DATE#	DATE -	REVISED -

**STATE OF ILLINOIS
DEPARTMENT OF TRANSPORTATION**

**FLOOR DRAIN DETAIL
SN. 026-0009 & SN. 026-0010**

SCALE: N/A SHEET NO. 9 OF 14 SHEETS STA. TO STA.

F.A.I. RTE.	SECTION	COUNTY	TOTAL SHEETS	SHEET NO.
70	D-7 BRIDGE DECK REPAIRS	FAYETTE	59	54
FED. ROAD DIST. NO.			ILLINOIS FED. AID PROJECT	
			CONTRACT NO. 94993	

SHEET NO. 9
14 SHEETS