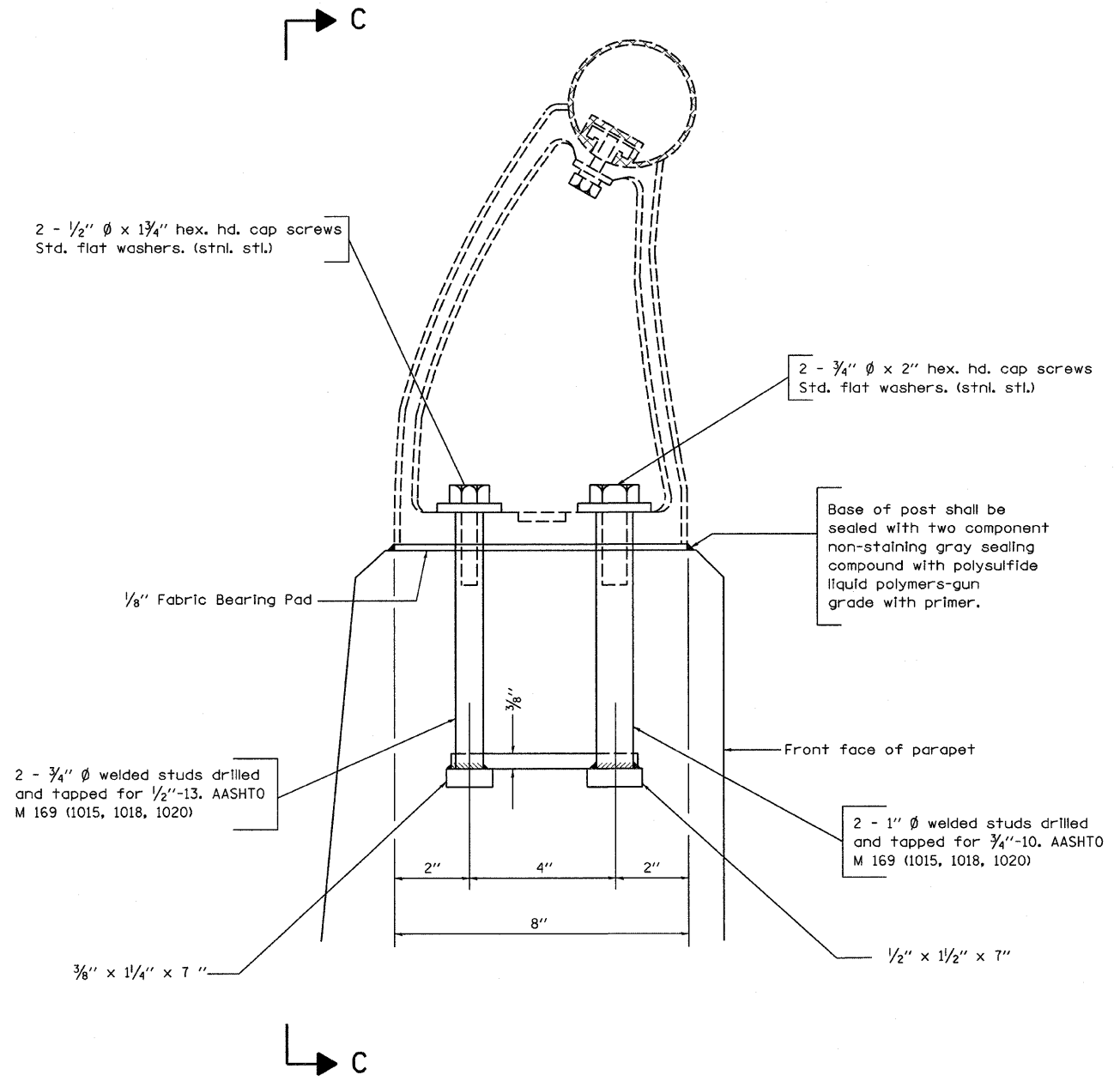


**VIEW C-C**

Note: New Rail Post anchorage devices will be required at each location where posts are connected to new construction. Cost shall be included with Concrete Superstructure.



**VIEW C-C**

FILE NAME =	USER NAME = swartzrw	DESIGNED -	REVISED -	<b>STATE OF ILLINOIS DEPARTMENT OF TRANSPORTATION</b>	<b>RAIL SUPPORT ANCHOR DETAILS SN. 026-0009 AND 026-0010</b>			F.A.I. RTE.	SECTION	COUNTY	TOTAL SHEETS	SHEET NO.
ca:\pw_work\PWIDOT\SWARTZRW\dms36208\th	elatedesign_94993.dgn	DRAWN -	REVISED -		SCALE: N/A	SHEET NO. 10 OF 14 SHEETS	STA.	TO STA.	D-7 BRIDGE DECK REPAIRS	FAYETTE	59	55
	PLOT SCALE = 20,0000 / / IN.	CHECKED -	REVISED -					CONTRACT NO. 94993				
	PLOT DATE = 10/17/2008	DATE -	REVISED -					ILLINOIS FED. AID PROJECT				

SHEET NO. 10  
14 SHEETS