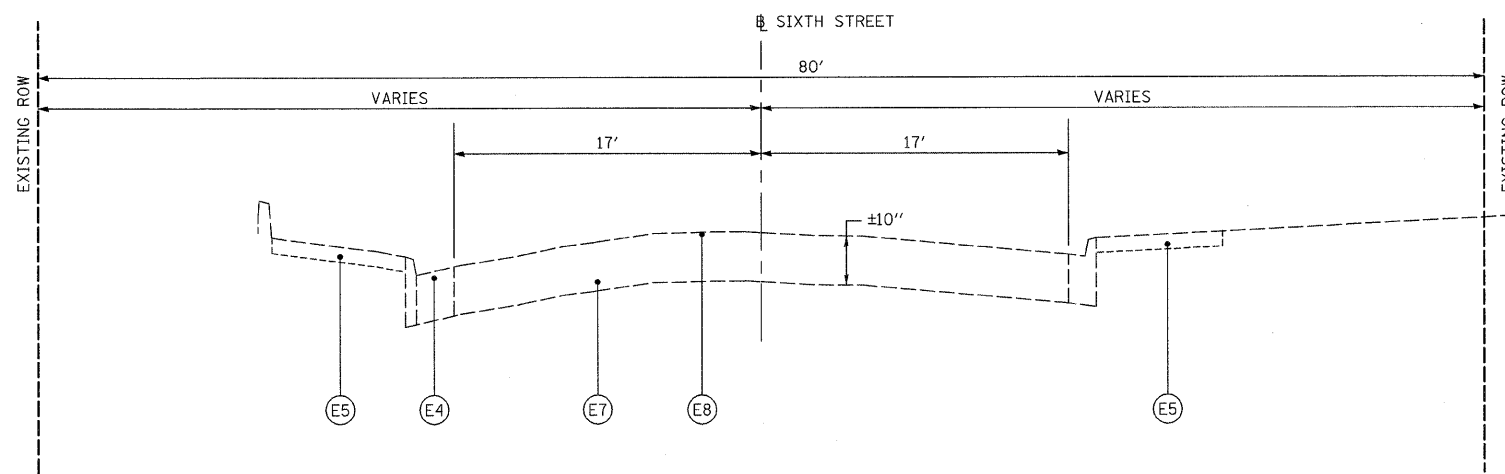


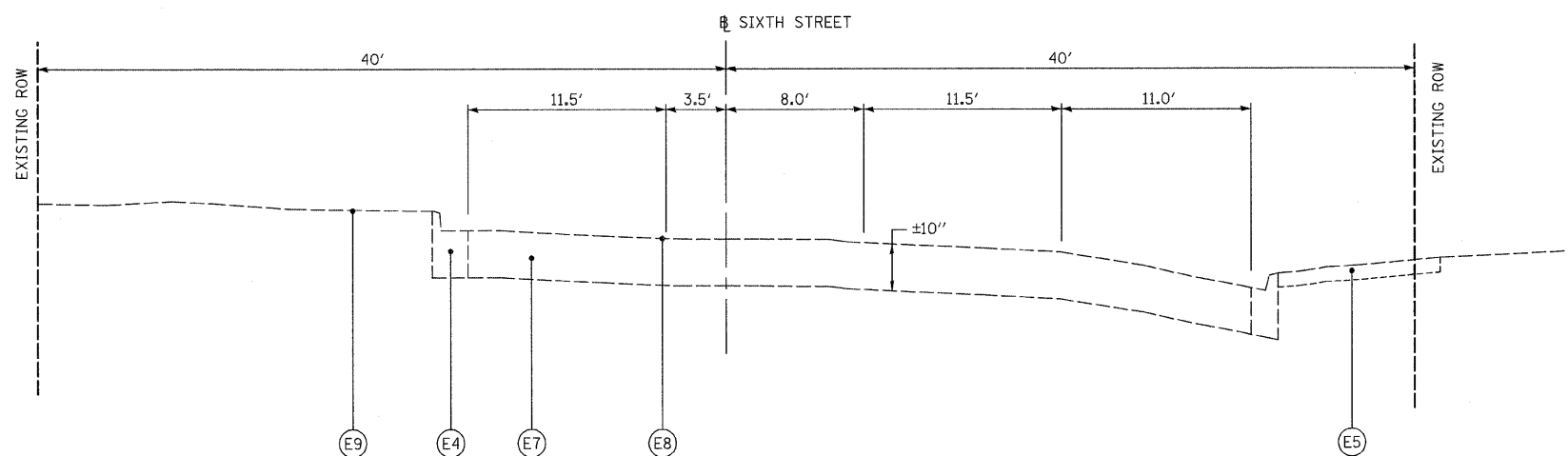
F.A. DIST. NO.	SECTION	COUNTY	TOTAL SHEETS	SHEET NO.
8419	99-00048-01-PV	FAYETTE	98	10
STA.		TO STA.		
FED. ROAD DIST. NO.	ILLINOIS	FED. AID PROJECT		
CONTRACT NO. 95500				



**SIXTH STREET EXISTING TYPICAL SECTION**  
STA 603+24 TO STA 604+40.67

**LEGEND**

- Ⓔ1 EXISTING BRICK PAVEMENT
- Ⓔ2 EXISTING BRICK PAVEMENT WITH BITUMINOUS OVERLAY
- Ⓔ3 EXISTING CURB
- Ⓔ4 EXISTING COMBINATION CURB AND GUTTER
- Ⓔ5 EXISTING PCC SIDEWALK
- Ⓔ6 EXISTING PCC PAVEMENT
- Ⓔ7 EXISTING AGGREGATE BASE COURSE/BRICK PAVEMENT
- Ⓔ8 EXISTING BITUMINOUS SURFACE TREATMENT (OIL & CHIP)
- Ⓔ9 EXISTING STREET PARKING BARRIER ISLAND



**SIXTH STREET EXISTING TYPICAL SECTION**  
STA 604+40.67 TO STA 605+34

REVISIONS	
NAME	DATE

ILLINOIS DEPARTMENT OF TRANSPORTATION  
**EXISTING TYPICAL SECTIONS  
SIXTH STREET**

SCALE: VERT. \_\_\_\_\_  
HORIZ. \_\_\_\_\_

DATE \_\_\_\_\_ DRAWN BY KOJ  
CHECKED BY LWJ

CAAD FILE: H:\4812\Design\010-011\Typesecs\_Sixth.dgn  
PLOTTED: 11/3/2008

H.M. & G. NO. 4812