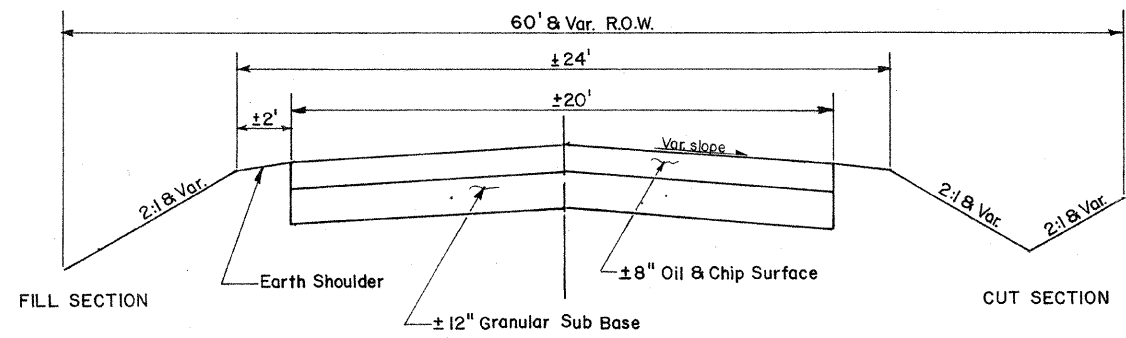
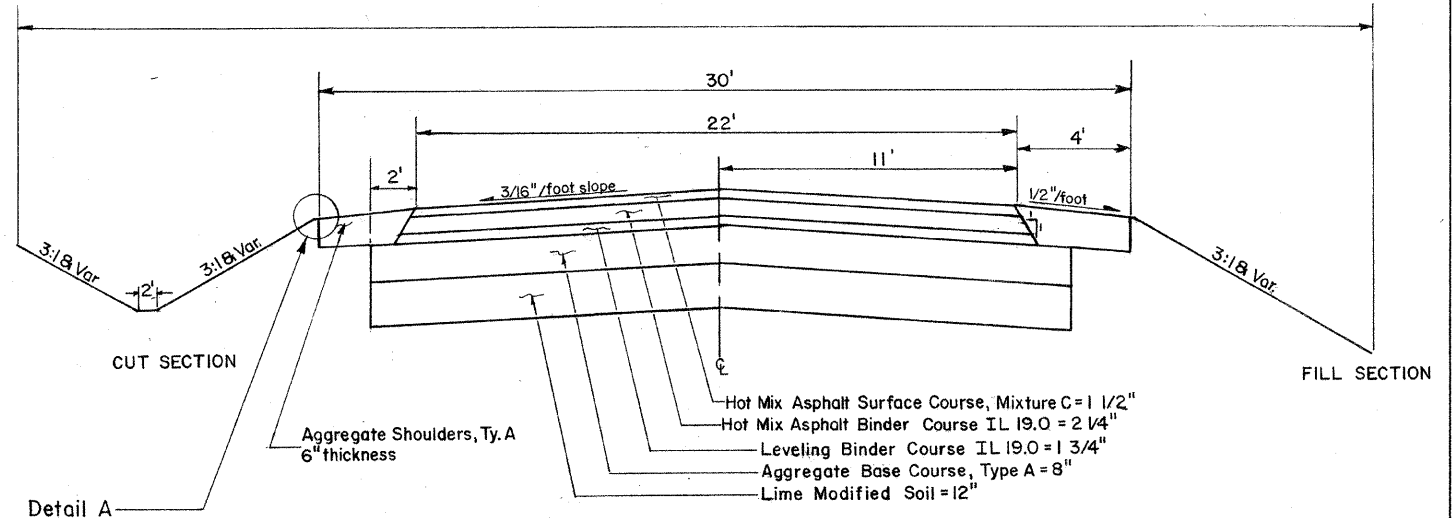


CONTRACT NO. 95555				
F.A.S. RTE.	SECTION	COUNTY	TOTAL SHEETS	SHEET NO.
653	*	SHELBY	40	5
* 04-00256-00-BR				



EXISTING TYPICAL SECTION

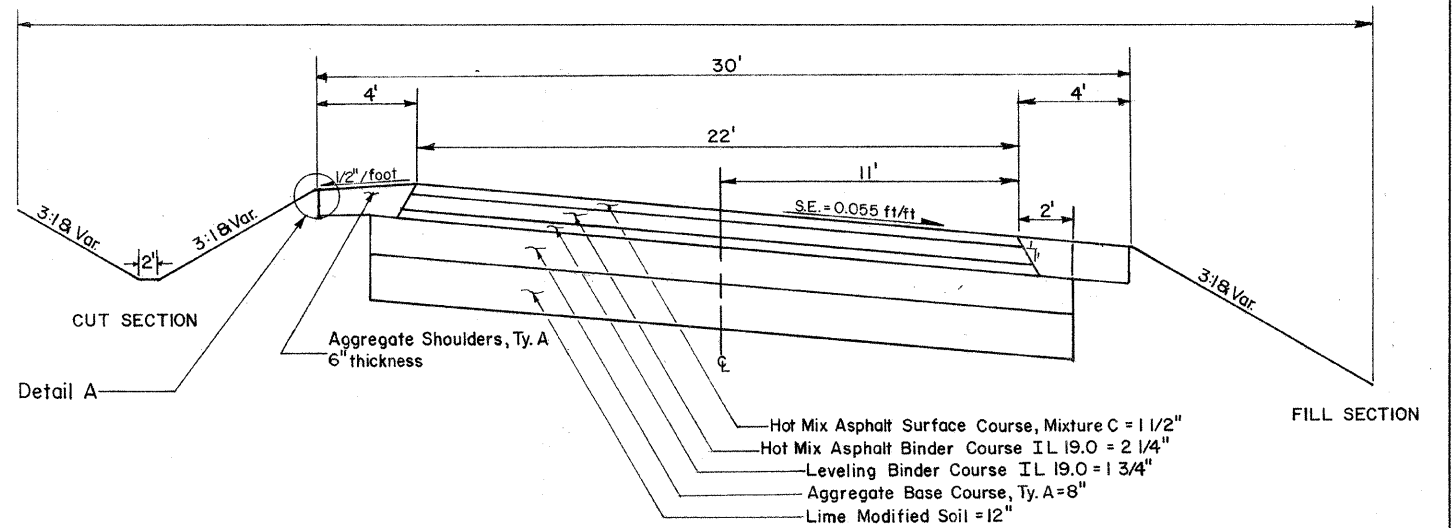


PROPOSED TYPICAL SECTION

Sta. 14+50 to Sta. 14+61.47
 Sta. 20+00.03 to Sta. 20+14.83
 Sta. 26+04.79 to Sta. 27+00

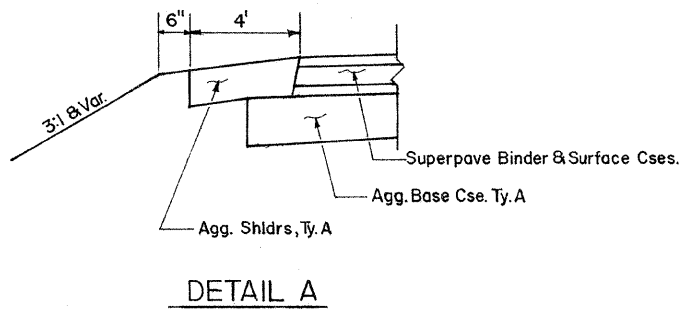
PROPOSED CURVE TRANSITIONS

Curve 1 Sta. 14+61.47 to Sta. 16+14.47
 Curve 1 Sta. 18+47.03 to Sta. 20+00.03
 Curve 2 Sta. 21+97.17 to Sta. 23+50.87
 Curve 2 Sta. 24+51.79 to Sta. 26+04.79



PROPOSED TYPICAL SECTION

Sta. 16+14.47 to Sta. 18+47.03
 Sta. 23+50.87 to Sta. 24+51.79



DETAIL A

SHELBY COUNTY HIGHWAY DEPARTMENT
TYPICAL SECTIONS
SECTION NO. 04-00256-00-BR