

STATE OF ILLINOIS
DEPARTMENT OF TRANSPORTATION

ROUTE NO.	SECTION	COUNTY	TOTAL SHEETS	SHEET NO.	SHEET NO. 2 14 SHEETS
FAS 653	04-00256-00-BR	SHELBY	40	28	
FED. ROAD DIST. NO. 7		ILLINOIS	FED. AID PROJECT		

Contract No. 95555

GENERAL NOTES

Reinforcement bars shall conform to the requirements of ASTM A 706 Gr 60. See Special Provisions.

Reinforcement bars designated (E) shall be epoxy coated.

Protective coat shall not be applied to surfaces to which Waterproofing Membrane System is applied.

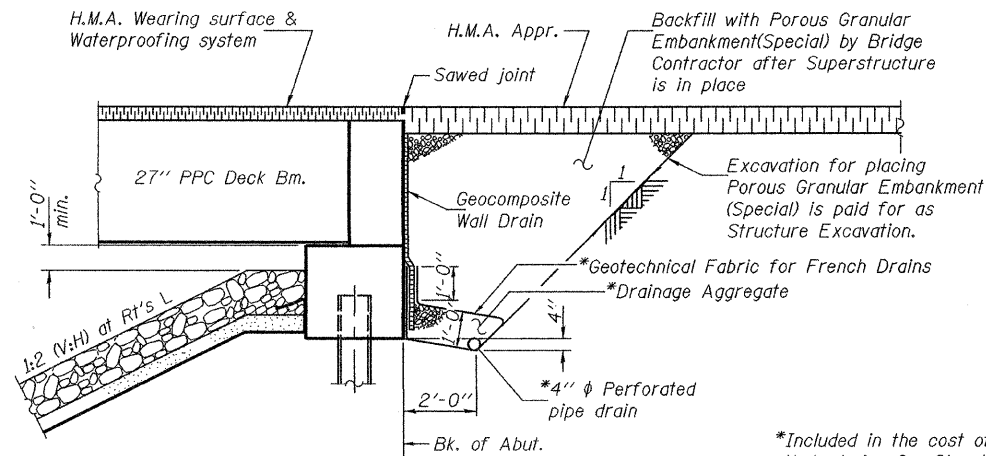
Layout of slope protection system may be varied in the field to suit ground conditions as directed by the Engineer.

The Contractor shall drive test piles to 110% of the nominal required bearing specified in production locations at substructures specified or approved by the Engineer before ordering the remainder of piles.

The embankment configuration shown shall be the minimum that must be placed and compacted prior to construction of the abutments.

TOTAL BILL OF MATERIAL

ITEM	UNIT	SUPER	SUB	TOTAL
Porous Granular Embankment (Special)	Cu. Yd.		100	100
Removal of Existing Structures	Each			1
Structure Excavation	Cu. Yd.		140	140
Concrete Structures	Cu. Yd.		148.8	148.8
Hot Mix Asphalt Surface Course, Mix "C", N 70	Ton	100		100
Precast Prestressed Concrete Deck Beams (27" Depth)	Sq. Ft.	5391		5391
Reinforcement Bars, Epoxy Coated	Pound		12800	12800
Steel Railing, Type SM	Foot	360		360
Furnishing Steel Piles HP10x42	Foot		290	290
Furnishing Steel Piles HP12x74	Foot		438	438
Driving Piles	Foot		290	290
Test Pile Steel HP10x42	Each		2	2
Name Plates	Each	1		1
Waterproofing Membrane System	Sq. Yd.	616		616
Geocomposite Wall Drain	Sq. Yd.		60	60
Pipe Underdrains for Structures, 4"	Foot		125	125
P.C. Mortar Fairing Course	Foot	1797		1797
Settling Piles in Rock	Each		12	12
Concrete Encasement	Cu. Yd.		8.4	8.4
Underwater Structure Excavation Protection, Location 1	Each		1	1
Underwater Structure Excavation Protection, Location 2	Each		1	1



SECTION THRU ABUTMENT
(Horiz. dim. at Rt. L's)

*Included in the cost of Pipe Underdrains for Structures, 4".

Note: All drainage system components shall extend to 2'-0" from the end of each wingwall except an outlet pipe shall extend until intersecting with the side slopes. The pipes shall drain into concrete headwalls. (See Article 601.05 of the Standard Specifications and Highway Standard 601101).

DESIGNED	Jay D. Edwards
CHECKED	Nick R. Barnett
DRAWN	h.f. duong
CHECKED	JDE/NRB/GRA

EXAMINED	Thomas J. Damagala ENGINEER OF BRIDGE DESIGN
PASSED	Ralph E. Anderson ENGINEER OF BRIDGES AND STRUCTURES

GENERAL DATA
F.A.S. RTE. 653 - SEC. 04-00256-00-BR
SHELBY COUNTY
STATION 21+06.00
STRUCTURE NO. 087-3563