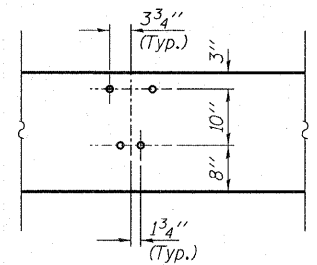
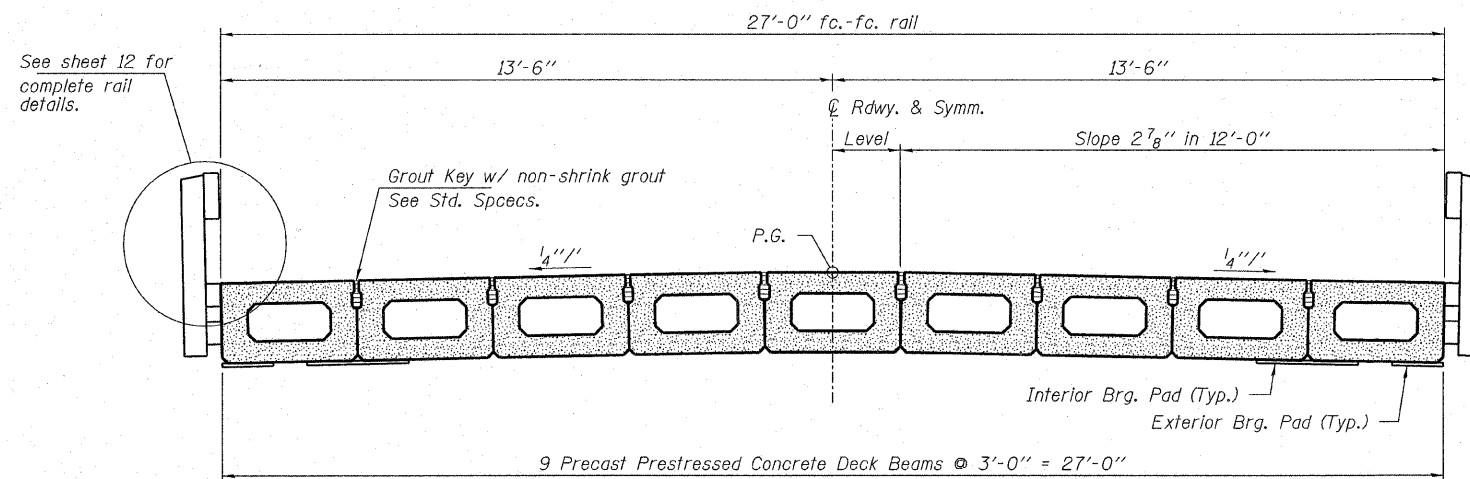


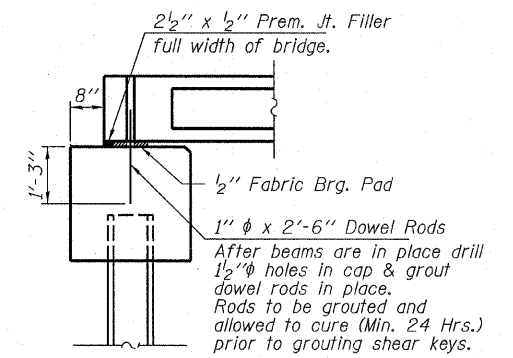
ELEVATION
Showing Rail Post Spaces
See sheet 12 for Railing Details.



DETAIL A



CROSS SECTION
See sheets 9 & 10 for Superstructure.



SECTION AT ABUTMENTS
@ Rt. L's

DESIGNED - S.M.S.
CHECKED - S.W.M.
DRAWN - D.A.B.
CHECKED - D.T.M.

HAMPTON, LENZINI & RENWICK, INC.
CIVIL & STRUCTURAL ENGINEERS
LAND SURVEYORS
HLR 3085 STEVENSON DRIVE, SUITE 201
SPRINGFIELD, ILLINOIS 62703
(217) 546-3400
PROJECT NUMBER: 08.0094.130 DATE: 10/29/08

SHEET NO. 4
8 SHEETS

T.R.	SECTION	COUNTY	TOTAL SHEETS	SHEET NO.
146	08-05125-00-BR	MOULTRIE	15	11
LOWE ROAD DISTRICT		CONTRACT NO. 95565		
FED. ROAD DIST. NO.		ILLINOIS FED. AID PROJECT		

SUPERSTRUCTURE DETAILS
STRUCTURE NO. 070-4535