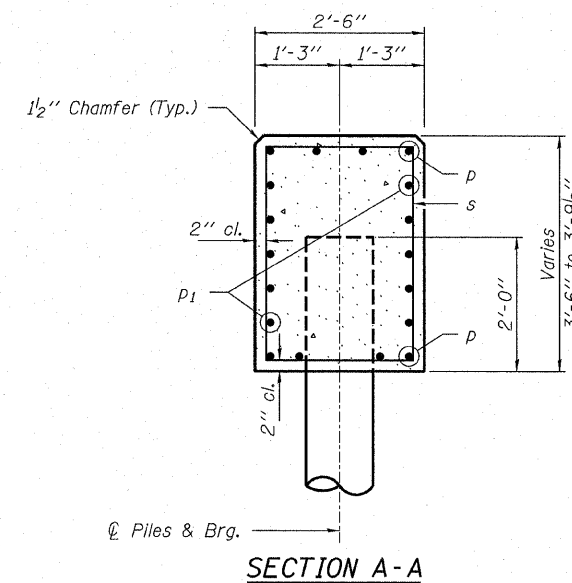
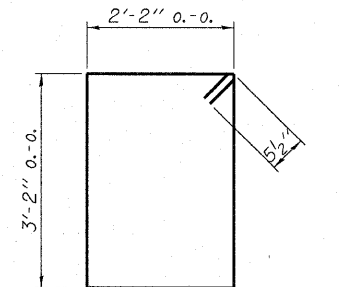


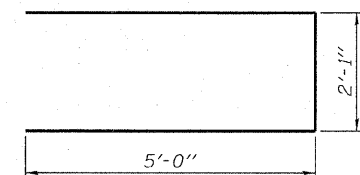
PLAN



SECTION A-A

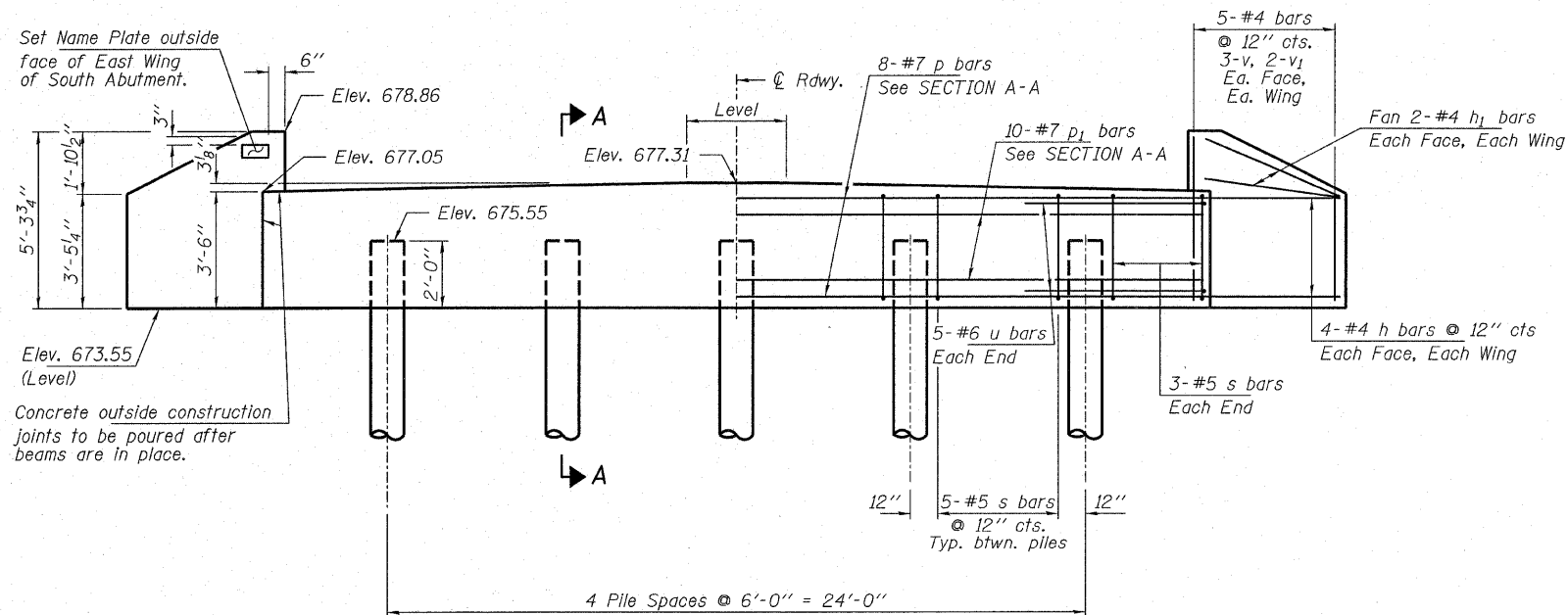


BAR s



BAR u

Note: Extend h bars into abutment cap.



ELEVATION

DESIGNED - S.M.S.
CHECKED - S.W.M.
DRAWN - D.A.B.
CHECKED - D.T.M.

PILE DATA

Type.....Metal Shell Piles, 12" x 0.25" walls
 No. Req'd. (2 Abutments).....10*
 Factored Resistance Available.....131 Kips/Pile
 Nominal Req'd Bearing.....262 Kips/Pile
 Est. Lengths.....45 Feet/Pile

Notes: The test pile shall be driven to 110 percent of the Nominal Required Bearing indicated in the pile data information.

* Includes one test pile to be driven in permanent location at the North Abutment.

BILL OF MATERIAL - 2. ABUTS.

BAR	NO.	SIZE	LENGTH	SHAPE
h	32	#4	6'-0"	—
h1	16	#4	4'-6"	—
p	16	#7	28'-2"	—
p1	20	#4	28'-2"	—
s	52	#5	11'-7"	□
u	20	#6	12'-1"	—
v	24	#4	4'-4"	—
v1	16	#4	3'-4"	—
Concrete Structures			Cu. Yd.	21.8
Reinforcement Bars			Pound	2,650
Metal Shell Piles 12"x0.25"			Foot	405
Test Pile Metal Shells			Each	1
Name Plates			Each	1

ABUTMENTS
 STRUCTURE NO. 070-4535

HAMPTON, LENZINI & RENWICK, INC. CIVIL & STRUCTURAL ENGINEERS LAND SURVEYORS 3085 STEVENSON DRIVE, SUITE 201 SPRINGFIELD, ILLINOIS 62703 (217) 546-3400 PROJECT NUMBER: 08 0094.130 DATE: 10/29/08	SHEET NO. 6	T.R.	SECTION	COUNTY	TOTAL SHEETS	SHEET NO.
	8 SHEETS	146	08-05125-00-BR	MOULTRIE	15	13
LOWE ROAD DISTRICT			CONTRACT NO. 95565			
FED. ROAD DIST. NO.		ILLINOIS		FED. AID PROJECT		