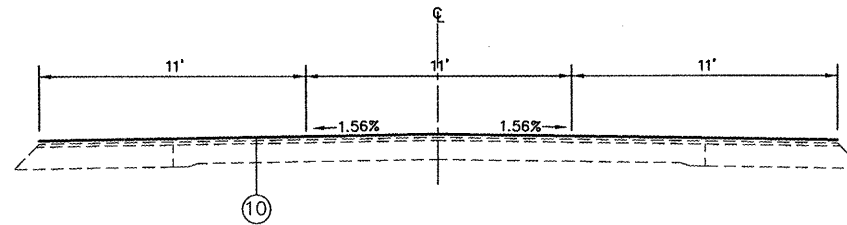


FILE NO.	SECTION	COUNTY	TOTAL SHEETS	SHEET NO.
793 9392	05-00025-00-TL 07-00025-01-WR	MADISON	135	14
PROPOSED US 40				

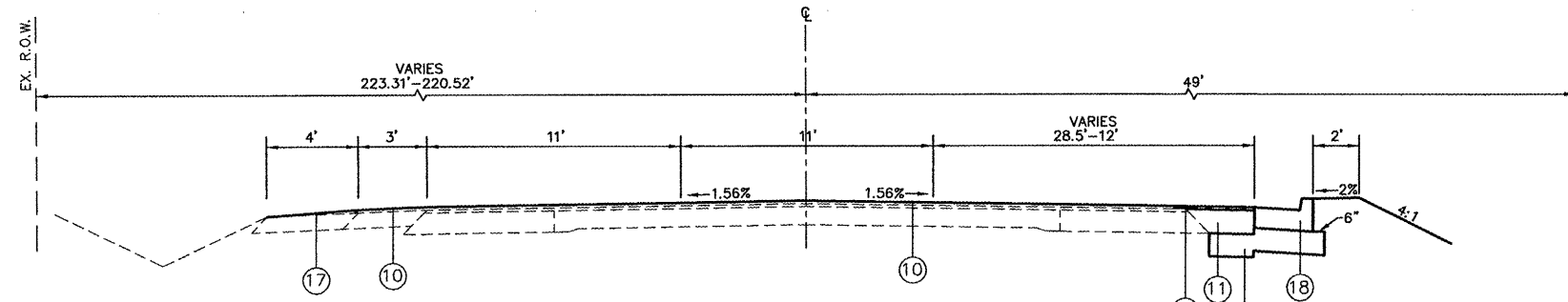
CONTRACT NO. 97352

**LEGEND**

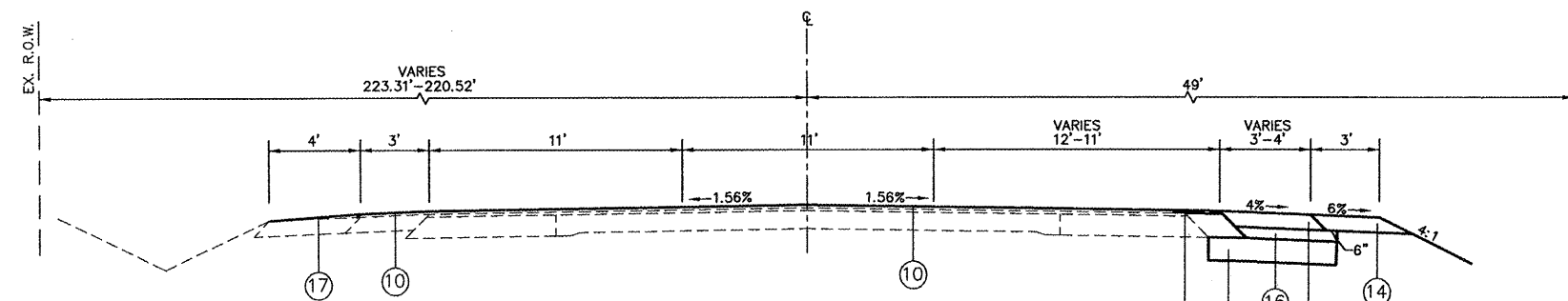
- ⑩ PROPOSED HOT-MIX ASPHALT SURFACE COURSE, MIX "D", N70, 1.5"
- ⑪ PROPOSED HOT-MIX ASPHALT BINDER COURSE, IL-19.0, N70, 12.5"
- ⑫ PROPOSED PROCESSING MODIFIED SOIL, 12"
- ⑬ PROPOSED HOT-MIX ASPHALT SHOULDER, 8"
- ⑭ PROPOSED AGGREGATE SHOULDER, TYPE A, 6"
- ⑮ PROPOSED SUB-BASE GRANULAR MATERIAL, TYPE C 5"
- ⑯ PROPOSED SUB-BASE GRANULAR MATERIAL, TYPE C 6"
- ⑰ PROPOSED AGGREGATE WEDGE SHOULDER, TYPE B
- ⑱ PROPOSED TYPE B-6.24 C&G
- ⑲ PROPOSED TYPE A GUTTER
- ⑳ PROPOSED TYPE B GUTTER
- ㉑ PROPOSED STRIP REFLECTIVE CRACK CONTROL TREATMENT
- ㉒ PROPOSED CONCRETE BARRIER WALL (SPECIAL)



**PROPOSED-US 40**  
STA. 244+37.71 TO STA. 245+57.64  
(SOUTH MAIN STREET/TROY-O'FALLON ROAD)



**PROPOSED-US 40**  
STA. 245+57.64 TO STA. 246+53.28



**PROPOSED-US 40**  
STA. 246+53.28 TO STA. 246+80.15

0501621TPS01.dwg 11/04/2008 9:37am

REVISIONS	
NAME	DATE

PROPOSED CONDITIONS  
TYPICAL SECTIONS

US 40 AND  
TROY-O'FALLON ROAD IMPROVEMENTS  
CITY OF TROY  
MADISON COUNTY, ILLINOIS