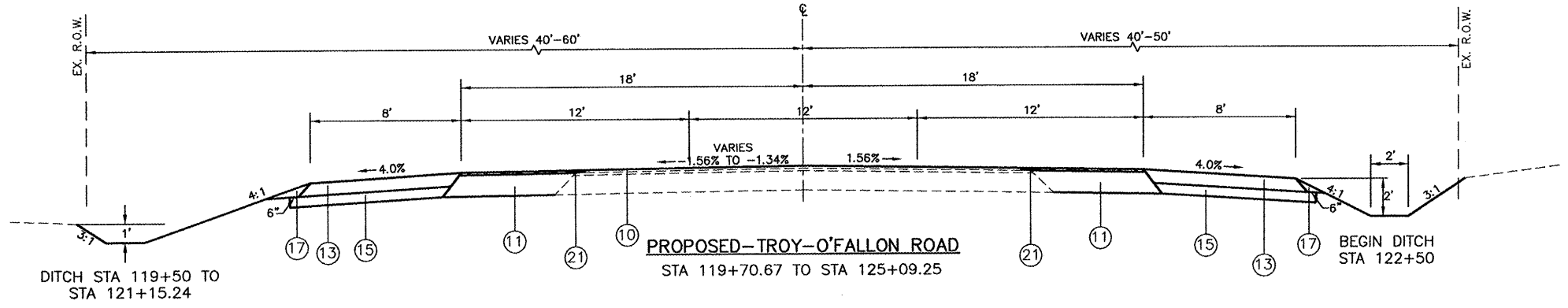
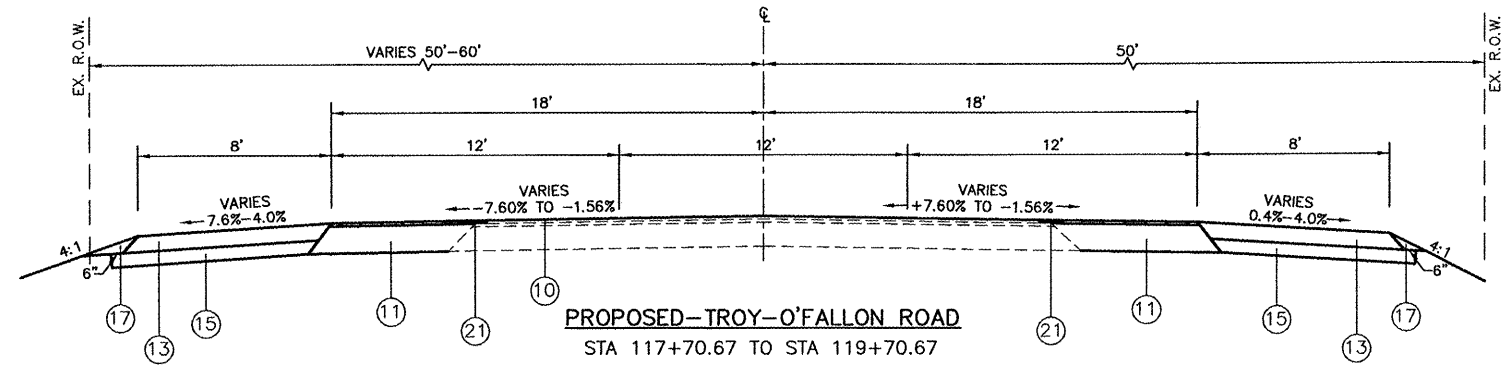
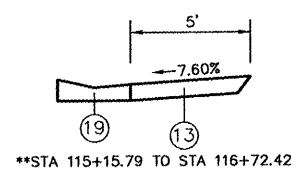
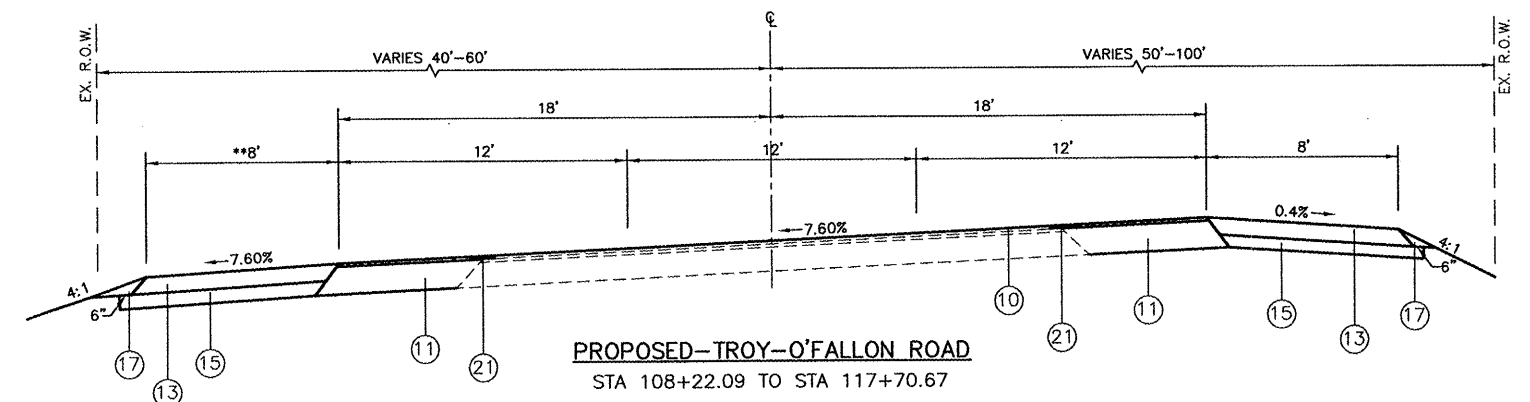
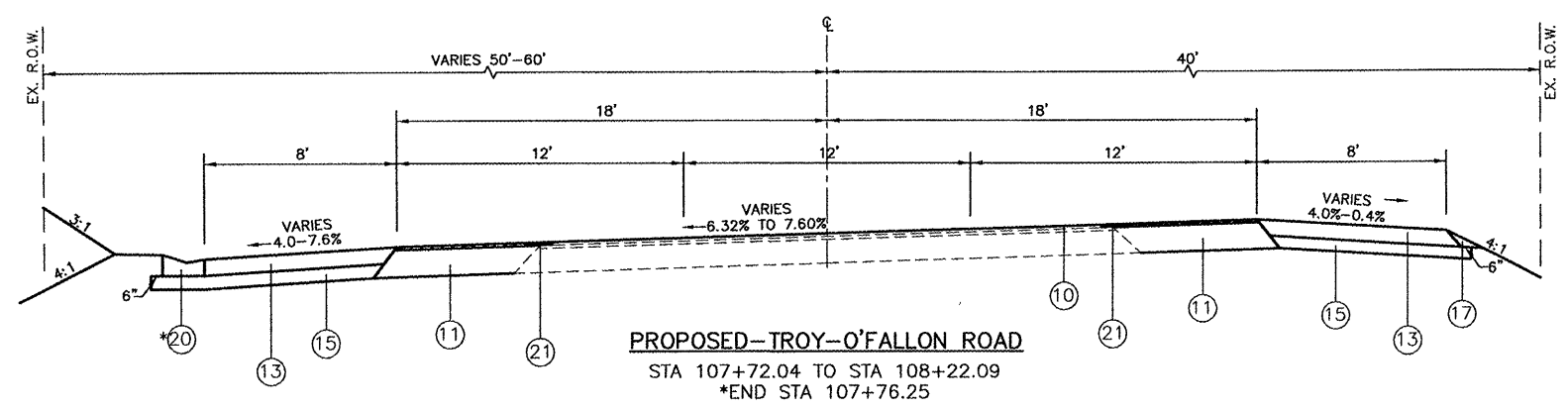


793	05-00025-00-TL	MADISON	135	17
9392	07-00025-01-WR			

PROPOSED TROY-O'FALLON ROAD  
CONTRACT NO. 97352

- LEGEND**
- ⑩ PROPOSED HOT-MIX ASPHALT SURFACE COURSE, MIX "D", N70, 1.5"
  - ⑪ PROPOSED HOT-MIX ASPHALT BINDER COURSE, IL-19.0, N70, 11.75"
  - ⑫ PROPOSED PROCESSING MODIFIED SOIL, 12"
  - ⑬ PROPOSED HOT-MIX ASPHALT SHOULDER, 8"
  - ⑭ PROPOSED AGGREGATE SHOULDER, TYPE A, 6"
  - ⑮ PROPOSED SUB-BASE GRANULAR MATERIAL, TYPE C 5"
  - ⑯ PROPOSED SUB-BASE GRANULAR MATERIAL, TYPE C 6"
  - ⑰ PROPOSED AGGREGATE WEDGE SHOULDER, TYPE B
  - ⑱ PROPOSED TYPE B-6.24 C&G
  - ⑲ PROPOSED TYPE A GUTTER
  - ⑳ PROPOSED TYPE B GUTTER
  - ㉑ PROPOSED STRIP REFLECTIVE CRACK CONTROL TREATMENT
  - ㉒ PROPOSED CONCRETE BARRIER WALL (SPECIAL)



REVISIONS	
NAME	DATE

PROPOSED CONDITIONS  
TYPICAL SECTIONS

US 40 AND  
TROY-O'FALLON ROAD IMPROVEMENTS  
CITY OF TROY  
MADISON COUNTY, ILLINOIS

050162TYP01.dwg 11/04/2008 9:45am