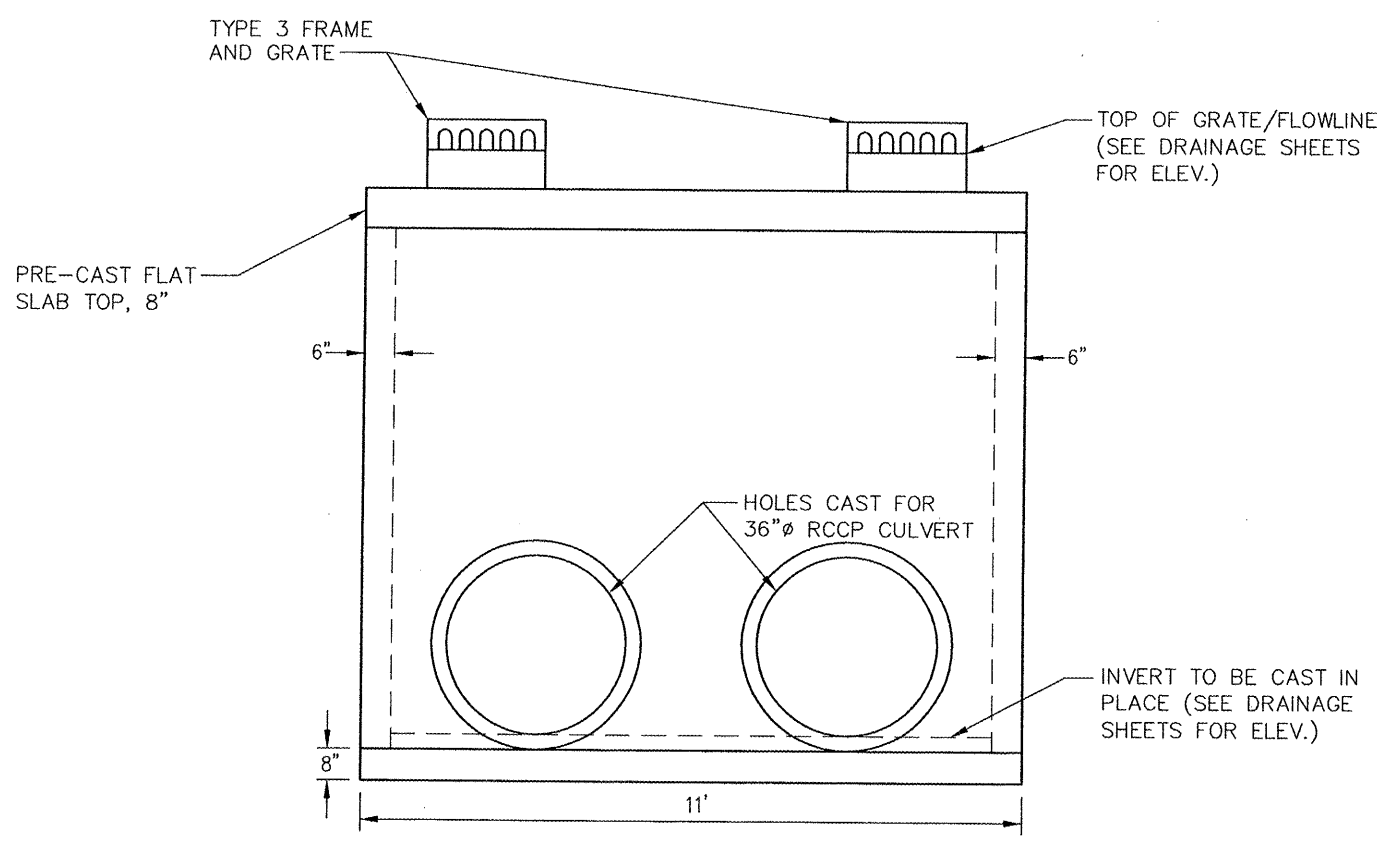
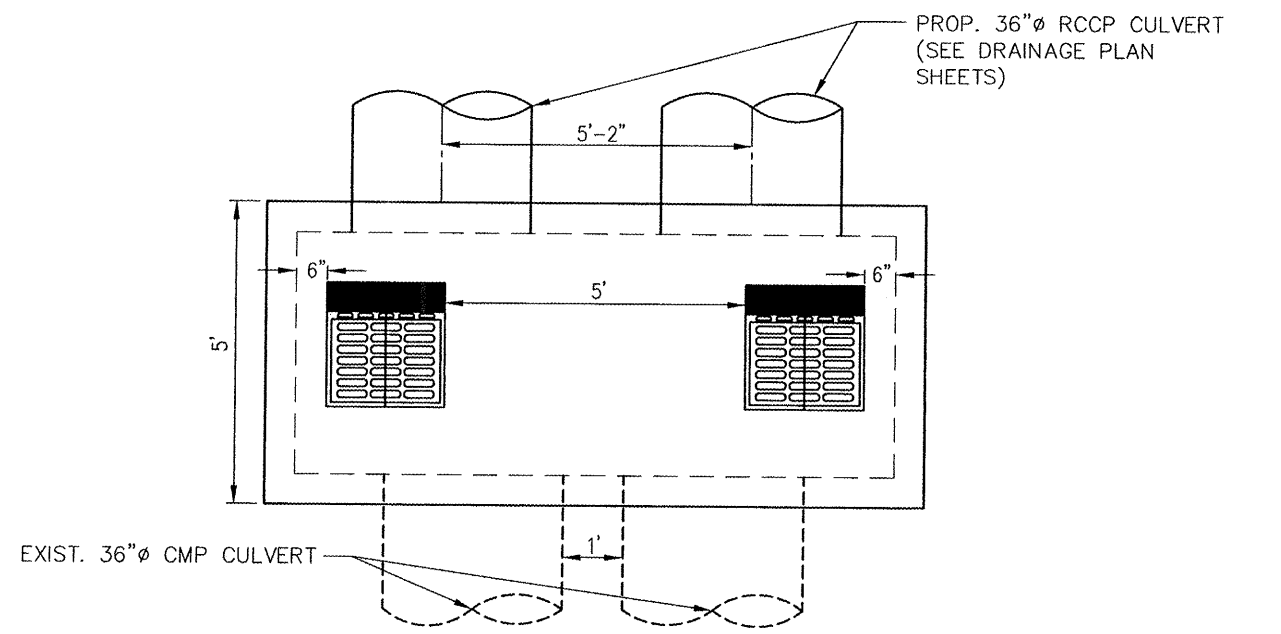


P&P ROUTE	SECTION	COUNTY	TOTAL SHEETS	SHEET NO.
783 9392	05-00025-00-TL 07-00025-01-WEL	MADISON	135	85
STA.		TO STA.		

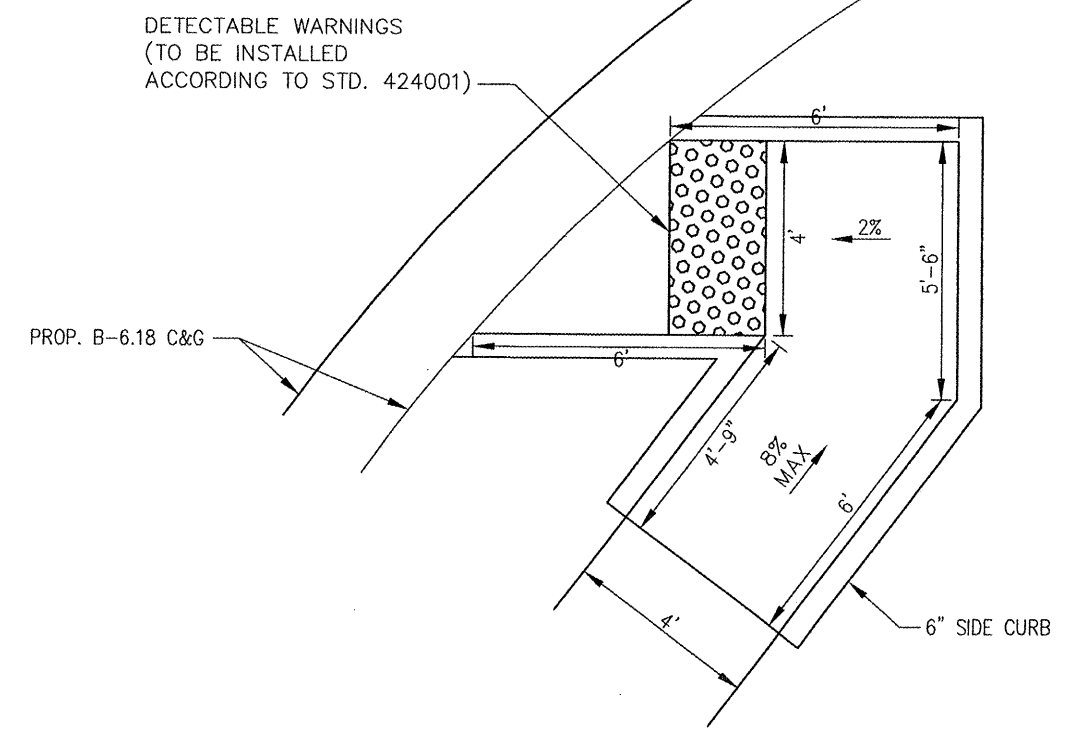
CONTRACT NO. 97352



SPECIFICATIONS:
PRE-CAST INLET SHALL CONFORM TO ASTM C-478

EXECUTION:
ALL WORK SHALL CONFORM TO ILLINOIS STANDARD SPECIFICATIONS FOR ROAD AND BRIDGE CONSTRUCTION.

INLET, SPECIAL #3
TROY-O'FALLON ROAD
STA. 103+43.20 RT &
STA. 103+46.78 LT



PROP. SIDEWALK RAMP, TYPE A
(PAID AS PCC SIDEWALK, 4")
TROY-O'FALLON ROAD
STA 107+72.88 RT
STA 108+49.80 RT
STA 125+17.77 RT
STA 125+25.17 LT
STA 125+91.16 LT
STA 125+97.59 RT

REVISIONS	
NAME	DATE

MISCELLANEOUS
DETAILS

US 40 AND
TROY-O'FALLON ROAD IMPROVEMENTS
CITY OF TROY
MADISON COUNTY, ILLINOIS

P:\050162D\dwg\050162DET\LO1.dwg 4/16/2008 9:02:13 AM CDT