

SHELBY COUNTY AIRPORT

1599 WEST ROUTE 16
SHELBYVILLE, ILLINOIS 62565-8468

DATE SIGNED: LICENSE EXPIRES:

REHABILITATE T-HANGAR PAVEMENT

IDA No.: 2H0-5034

IL Contract No.: SE008

NO.	DATE	DESCRIPTION		
		DES	DRN	REV

ISSUE: NOVEMBER 14, 2025

PROJECT NO: 25A0040

CAD FILE: G-003-CSPP.DWG

DESIGN BY: TLL 09/30/25

DRAWN BY: TLL 09/30/25

REVIEWED BY: LDH 11/12/25

SHEET TITLE

CONSTRUCTION SAFETY AND PHASING PLAN - DETAILS AND NOTES

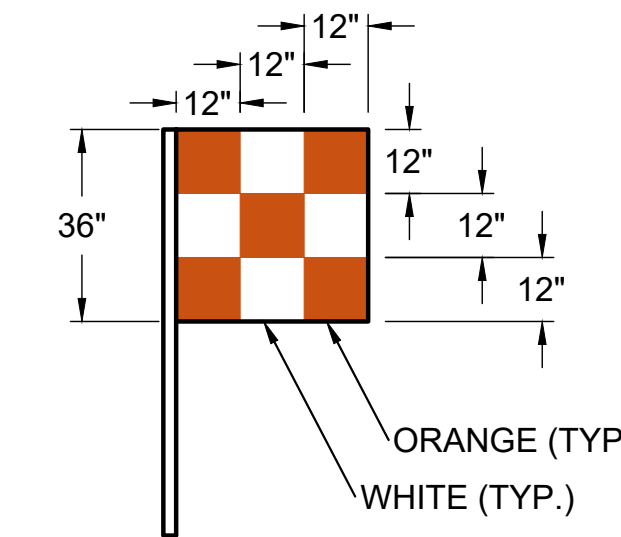
- ALL PROVISIONS OF THE LATEST EDITION OF FAA ADVISORY CIRCULAR AC 150/5370-2 (CURRENT EDITION), "OPERATIONAL SAFETY ON AIRPORTS DURING CONSTRUCTION", APPLY TO THIS CONTRACT, EXCEPT AS MODIFIED BY THIS SAFETY PLAN, ANY REVISIONS MUST BE APPROVED BY THE FAA, THE AIRPORT AND THE ENGINEER.
- THE CONTRACTORS SHALL MINIMIZE DISRUPTION OF STANDARD OPERATING PROCEDURES FOR AERONAUTICAL ACTIVITY BY REMAINING WITHIN THE PRESCRIBED STAGING, CONSTRUCTION, AND PHASING AREAS PRESENTED ON THE CONSTRUCTION SAFETY AND PHASING PLAN SHEETS.
- NO UNAUTHORIZED PERSONNEL SHALL ENTER ANY AREA OF THE AIRPORT THAT COULD POTENTIALLY BE HAZARDOUS. THE AIRPORT MANAGER RESERVES THE RIGHT TO SUSPEND OPERATIONS IN ORDER TO MAINTAIN SAFETY AT THE AIRPORT.
- NO CONSTRUCTION VEHICLES SHALL BE DRIVEN ACROSS ANY ACTIVE (OPEN) AIRFIELD PAVEMENT AREA WITHOUT AN APPROPRIATE ESCORT. CONSTRUCTION EQUIPMENT OR CONSTRUCTION ACTIVITY WILL NOT BE PERMITTED WITHIN 200' OF RWY 18-36 AND/OR 125' OF RWY 4-22 AND 14-32 (DISTANCES MEASURED FROM ACTIVE CENTERLINES) UNLESS CLOSED OR OTHERWISE NOTED. CONSTRUCTION EQUIPMENT OR CONSTRUCTION ACTIVITY WILL ALSO NOT BE PERMITTED WITHIN 65.5' OF ANY ACTIVE AIRPORT TAXIWAY CENTERLINE OR APRON UNLESS OTHERWISE NOTED.
- CONTRACTOR EQUIPMENT, VEHICLES, AND PROJECT MATERIALS SHALL BE STORED AT THE STAGING AREA SHOWN ON THE PLAN VIEW, EXCEPT AS OTHERWISE PROVIDED FOR AT THE PRE-CONSTRUCTION CONFERENCE.
- ALL CONSTRUCTION EQUIPMENT OPERATING IN THE PRESCRIBED CONSTRUCTION AREA IS REQUIRED TO DISPLAY A CHECKERBOARD FLAG PROPERLY LOCATED OR A ROTATING BEACON (STROBE) AS SPECIFIED IN AC 150/5210-5, "PAINTING, MARKING, AND LIGHTING OF VEHICLES USED ON AN AIRPORT" LATEST EDITION.
- NO CONSTRUCTION MATERIAL STOCKPILES SHALL BE LOCATED WITHIN 200' OF ANY ACTIVE RUNWAY, WITHIN 65.5' OF ANY OTHER ACTIVE AIRPORT OPERATIONS AREA, OR PENETRATE A PART 77 IMAGINARY SURFACE EXTENDING OUT AND UPWARDS FROM ALL SIDES OF AN ACTIVE RUNWAY.
- CLOSED AIRFIELD PHASING AREAS, OPEN TRENCHES, AND STOCKPILED MATERIALS AT THE CONSTRUCTION SITE SHALL BE PROMINENTLY MARKED WITH LIGHTED BARRICADES WITH STEADY BURNING OR FLASHING RED LIGHTS AS SPECIFIED IN 150/5370-2, "OPERATIONAL SAFETY ON AIRPORT DURING CONSTRUCTION", LATEST EDITION. LIGHTED BARRICADES MUST BE NO TALLER THAN 18" (EXCLUSIVE OF SUPPLEMENTARY LIGHTS AND FLAGS) ON THE TAXIWAYS AND COMPLY WITH ADVISORY CIRCULAR 150/5370-2, LATEST EDITION. CONTRACTOR SHALL NIGHT CHECK BARRICADES DAILY FOR PROPER OPERATION.
- OPEN TRENCHES, EXCAVATIONS, AND STOCKPILED MATERIALS AT THE CONSTRUCTION SITE SHOULD BE PROMINENTLY MARKED WITH ORANGE FLAGS AND LIGHTED WITH FLASHING RED LIGHTS DURING HOURS OF RESTRICTED VISIBILITY AND/OR DARKNESS.
- NO CONSTRUCTION EQUIPMENT GREATER THAN 25' TALL WILL BE PERMITTED ON THE AIRPORT WITHOUT THE APPROVAL OF THE AIRPORT MANAGER AND ADDITIONAL AIRSPACE APPROVAL BY THE FAA. AIRSPACE APPROVALS REQUIRE CONSIDERABLE LEAD TIME AND SHOULD BE REQUESTED WELL IN ADVANCE.
- NO OPEN FLAME WELDING OR TORCH CUTTING OPERATION IS PERMITTED UNLESS ADEQUATE FIRE AND SAFETY PRECAUTIONS ARE PROVIDED AND HAVE BEEN APPROVED BY THE AIRPORT MANAGER. NO FLARE POTS ARE ALLOWED ON THE PROJECT.
- SOIL, DEBRIS, AND LOOSE MATERIAL DROPPED OR TRUCKED ONTO AIRPORT ROADS, TAXIWAYS, AND SOD SURFACES, OR WHICH CAN BE BLOWN ONTO SUCH SURFACES, SHALL BE IMMEDIATELY SWEEP, PICKED UP AND REMOVED, OR PLACED INTO CLOSED CONTAINERS. ANY DAMAGE TO AIRPORT PROPERTY SHALL BE REPAIRED IMMEDIATELY AT NO COST TO THE OWNER.
- CONTRACTOR SHALL TAKE MEASURES TO AVOID TRACKING BITUMINOUS TACK COAT ASSOCIATED WITH PAVING PROJECTS ONTO ADJACENT PAVEMENT AREAS. HEAVY TRACKING OR DAMAGE TO ADJACENT PAVEMENTS MAY BE CAUSE FOR STOPPING THE WORK UNTIL ACCEPTABLE PROTECTION OR CHANGE IN WORK METHODS HAS BEEN PROVIDED.
- EACH CONTRACTOR SHALL BE RESPONSIBLE FOR LOCATING AND MAINTAINING AIRPORT LIGHTING AND NAVIGATIONAL ELECTRICAL SYSTEMS DURING CONSTRUCTION. A CONTACT PERSON AND TELEPHONE NUMBER FOR 24 HOUR EMERGENCY IMMEDIATE REPAIR SHALL BE SUBMITTED TO THE AIRPORT MANAGER AND RESIDENT PROJECT REPRESENTATIVE. HAUL ROUTES CROSSING PAVEMENT, DRAINAGE, MISCELLANEOUS STRUCTURES AND/OR AIRFIELD CABLES SHALL BE PROTECTED FROM DAMAGE.
- ALL AIRCRAFT AND AIRPORT OPERATIONS HAVE THE RIGHT-OF-WAY. CONTRACTOR TO YIELD TO VEHICLES AND REMAIN CLEAR AT ALL TIMES.
- CONTRACTOR SHALL PLACE, SECURE, AND MAINTAIN LIGHTED BARRICADES AND CLOSURE CROSSES WHEN A RUNWAY/TAXIWAY/APRON IS CLOSED OR AS REQUIRED BY THE PLANS AND DESIGNATED BY THE RESIDENT PROJECT REPRESENTATIVE.
- CONTRACTOR SHALL MARK HAZARDOUS AREA WITH STEADY-BURNING OR FLASHING RED LIGHTS DURING PERIODS OF LOW VISIBILITY AS REQUIRED.
- THE CONTRACTOR SHALL PERIODICALLY PERFORM ONSITE INSPECTIONS THROUGHOUT THE DURATION OF THE PROJECT WITH THE IMMEDIATE REMEDY OF ANY DIFFERENCES, WHETHER CAUSED BY NEGLIGENCE, OVERSIGHT, OR PROJECT SCOPE CHANGE.
- CONTRACTOR SHALL MOVE MAINTENANCE OF TRAFFIC COMPONENTS AT THE WRITTEN DIRECTION OF THE RESIDENT ENGINEER/TECHNICIAN AT NO ADDITIONAL COST.
- CONTRACTOR SHALL NOT REMOVE THE BARRICADES WITHOUT THE APPROVAL OF THE RESIDENT PROJECT REPRESENTATIVE.

- CONTRACTOR SHALL MAINTAIN FLASHERS, SIGNS AND/OR BARRICADES AS REQUIRED BY THE PLANS, CITY OR COUNTY REGULATIONS OR CONTRACTOR ACTIVITIES. CONTRACTOR SHALL OBTAIN ANY AND ALL REQUIRED LOCAL PERMITS UNLESS SPECIFIED OTHERWISE.
- THE CONTRACTOR SHALL UTILIZE WATER AND/OR CHEMICALS APPROVED BY THE RESIDENT PROJECT REPRESENTATIVE. AS NECESSARY TO CONTROL DUST.
- THE CONTRACTOR WILL BE RESPONSIBLE FOR IMPLEMENTING MEASURES TO CONTROL OR AVOID CREATING ATTRACTANTS TO WILDLIFE. MEASURES MAY INCLUDE CONTINUOUSLY REMOVING ANY WASTE OR LOOSE MATERIALS, PLACEMENT OF MATERIALS IN APPROPRIATE STORAGE CONTAINERS, PROPERLY MAINTAINING FENCES AND GATES TO PREVENT ACCESS, AND PREVENTING PONDING OF WATER THROUGHOUT THE SITE.
- UNLESS SPECIFIED OTHERWISE, COST FOR SAFETY, STAGING, AND TRAFFIC MAINTENANCE ITEMS ARE TO BE CONSIDERED INCIDENTAL TO THE PROJECT. SEPARATE PAYMENT SHALL NOT BE MADE.
- THE CONTRACTOR SHALL HAVE THE SAFETY PLAN COMPLIANCE DOCUMENT (SPCD), AS DETAILED IN THE SPECIAL PROVISIONS, SUBMITTED AND APPROVED PRIOR TO BEING ISSUED "NOTICE TO PROCEED".
- ALL RUNWAY/TAXIWAY CLOSURES SHALL BE COORDINATED WITH AIRPORT MANAGEMENT A MINIMUM OF 7 DAYS BEFORE THE DESIRED CLOSING TIME TO ALLOW FOR THE PROPER COORDINATION. AIRPORT MANAGEMENT HAS COMPLETE AUTHORITY IN DETERMINING WHEN THE RUNWAY/TAXIWAY MAY BE CLOSED.
- RUNWAY/TAXIWAY CLOSURE PROCEDURES:
 - CONTACT THE AIRPORT MANAGEMENT OR ASSIGNED REPRESENTATIVE A MINIMUM OF 7 DAYS BEFORE THE DESIRED CLOSING TIME.
 - ISSUANCE OF NOTAM AND DEACTIVATION OF THE APPLICABLE AIRFIELD LIGHTING AND NAVAIDS BY THE AIRPORT MANAGEMENT AND/OR FAA.
 - PLACEMENT OF CROSSES AND BARRICADES.

- ONLY AT THE TIME THAT ALL OF THE ABOVE ARE COMPLETED MAY ANY CONSTRUCTION OPERATIONS BEGIN WITHIN THE RUNWAY/TAXIWAY AIR OPERATIONS AREA.

RUNWAY/TAXIWAY RE-OPENING PROCEDURES:

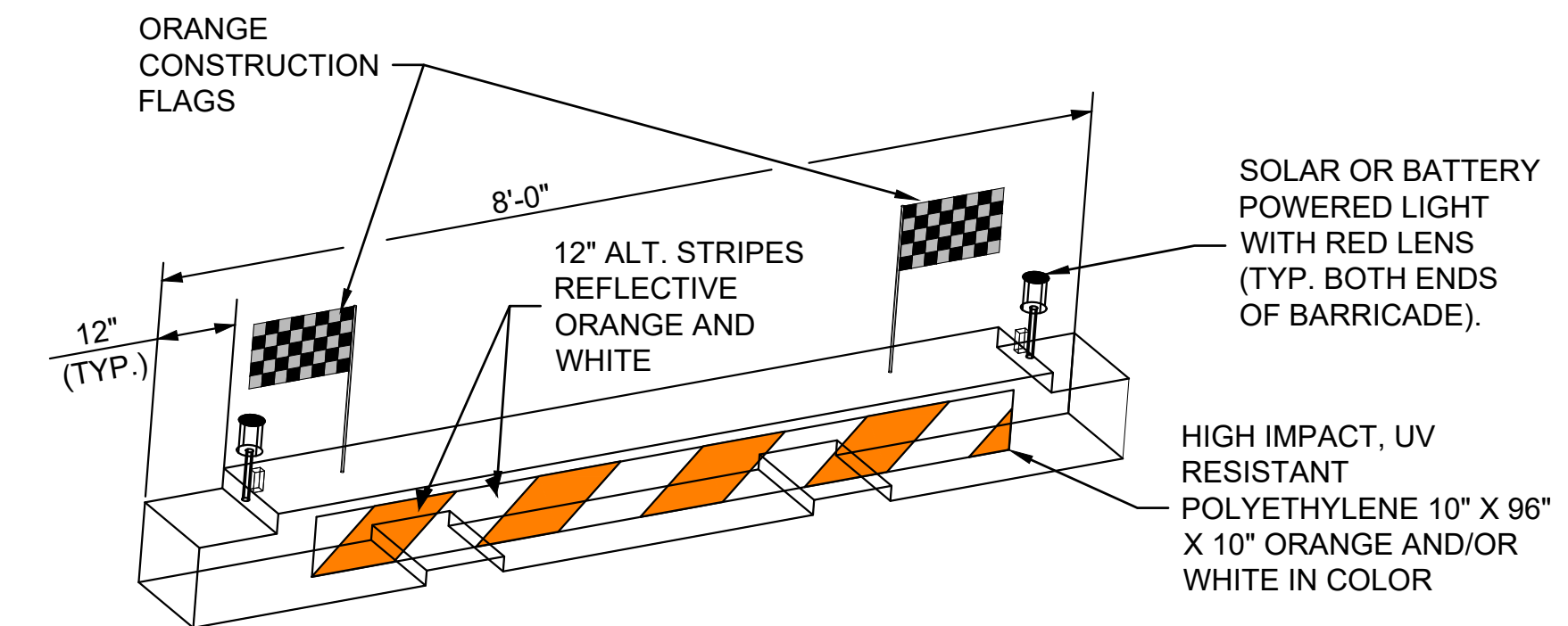
- ENSURE ALL PERSONNEL, EQUIPMENT AND MATERIALS ARE CLEAR OF THE AIR OPERATIONS AREA.
- INSPECT THE AREA FOR LOOSE OR TRACKED DEBRIS, PAVEMENT DROP-OFFS, AND OPEN TRENCHES.
- CONTACT AIRPORT MANAGEMENT OR REPRESENTATIVE FOR FINAL INSPECTION OF THE AREA.
- REMOVE BARRICADES AND CROSSES.
- ACTIVATION OF THE AIRFIELD LIGHTING AND NAVAIDS AND CANCELLATION OF THE NOTAM BY THE AIRPORT MANAGEMENT AND/OR FAA.



EQUIPMENT/MACHINERY FLAG

NOT TO SCALE

NOTE: ALL VEHICLES OPERATING IN THE AOA MUST BE EQUIPPED WITH A FLAG: THIS ENSURES THAT VEHICLES ARE EASILY VISIBLE TO AIRCRAFT, GROUND PERSONNEL, AND OTHER VEHICLES WITHIN THE OPERATIONAL AREA, PARTICULARLY IN AREAS WITH LIMITED VISIBILITY OR WHEN WORKING NEAR ACTIVE RUNWAYS AND TAXIWAYS.



LOW-PROFILE BARRICADE DETAIL AND NOTES

NOT TO SCALE

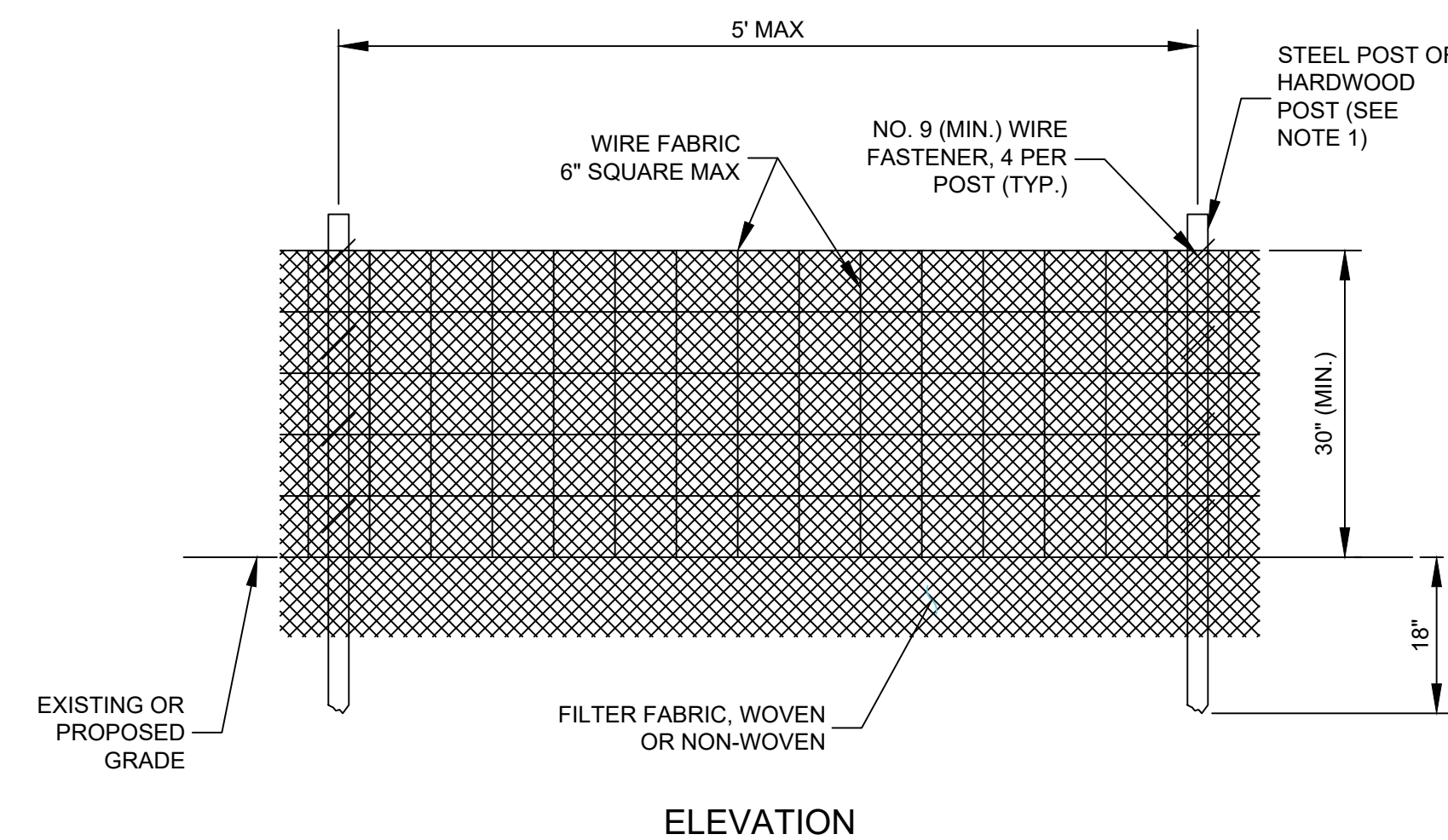
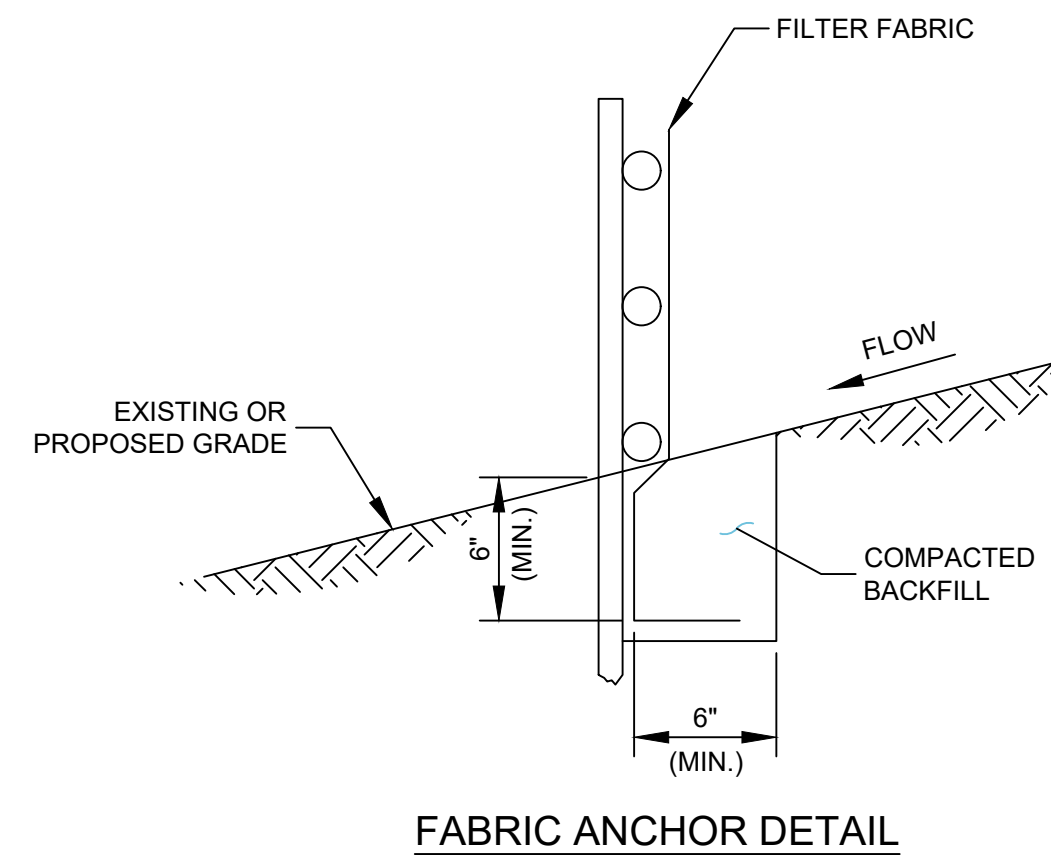
- ALL CONSTRUCTION SIGNS AND TRAFFIC CONTROL DEVICES SHALL CONFORM TO THE MANUAL ON UNIFORM TRAFFIC CONTROL DEVICES INCLUDING THE ILLINOIS SUPPLEMENT (LATEST EDITION) AND THE FAA ADVISORY CIRCULARS (LATEST EDITION) UNLESS NOTED OTHERWISE. THE FAA OR MORE STRINGENT SPECIFICATIONS SHALL GOVERN.
- BARRICADES SHALL BE INTERLOCKED END TO END OVER THE LENGTH OF THE PAVEMENT WHERE PROTECTING OPEN RUNWAYS, AND SPACED END TO END A MAXIMUM OF 4 FEET IN OTHER ALL OTHER AREAS. BARRICADES ARE TO BE SET BACK FROM THE ACTIVE RUNWAY OR TAXIWAY CENTERLINE THE DISTANCE AS SHOWN ON THE PLANS.
- CONSTRUCTION RED WARNING LIGHT: THESE ARE PORTABLE, LENS DIRECTED, ENCLOSED LIGHTS. THE COLOR OF THE LIGHT EMITTED SHALL BE RED. THEY MAY BE USED IN EITHER A STEADY BURN (TYPE C) OR LOW INTENSITY FLASHING MODE (TYPE A) UNLESS NOTED OTHERWISE.
- THE LIGHTING SHALL BE MAINTAINED IN OPERATION DURING THE HOURS OF DARKNESS BETWEEN 1/2 HOUR AFTER SUNSET AND 1/2 HOUR BEFORE SUNRISE AND WHEN CONDITIONS EXIST WHICH TEND TO OBSCURE VISION.
- BARRICADES SHALL BE SECURED TO THE GROUND BY APPROVED METHODS TO PREVENT MOVEMENT BY PROP WASH, JET BLAST OR OTHER WIND CURRENTS.
- THE ONLY COLOR COMBINATION ON BARRICADES IS ORANGE AND WHITE. THE ORANGE STRIPES SHALL BE ENCAPSULATED LENS REFLECTIVE SHEETING. THE WHITE STRIPES SHALL BE EITHER ENCAPSULATED OR ENCLOSED LENS REFLECTIVE SHEETING AND MUST BE IN ACCEPTABLE CONDITION.
- COST FOR PROVIDING, PLACING, MAINTAINING, RELOCATING AND REMOVING BARRICADES SHALL BE INCLUDED IN PAY ITEM AR150530 TRAFFIC MAINTENANCE.

SHELBY COUNTY AIRPORT

1599 WEST ROUTE 16
 SHELBYVILLE, ILLINOIS 62565-8468

SEDIMENTATION AND EROSION CONTROL NOTES:

- A. SEDIMENT CONTROL MEASURES SHALL BE INSTALLED PRIOR TO THE COMMENCEMENT OF HYDROLOGIC DISTURBANCE OF UPLAND AREAS.
- B. FOR THOSE DEVELOPMENTS THAT REQUIRE A DESIGNATED EROSION CONTROL INSPECTOR (DECI), INSPECTIONS AND DOCUMENTATION SHALL BE PERFORMED, AT A MINIMUM:
 - UPON COMPLETION OF SEDIMENT AND RUNOFF CONTROL MEASURES (INCLUDING PERIMETER CONTROLS AND DIVERSIONS), PRIOR TO PROCEEDING WITH ANY OTHER EARTH DISTURBANCE OR GRADING.
 - AFTER EVERY SEVEN (7) CALENDAR DAYS OR STORM EVENT WITH GREATER THAN 0.5 INCH OF RAINFALL OR LIQUID EQUIVALENT PRECIPITATION.
- C. SOIL DISTURBANCE SHALL BE CONDUCTED IN SUCH A MANNER AS TO MINIMIZE EROSION. IF STRIPPING, CLEARING, GRADING, OR LANDSCAPING ARE TO BE DONE IN PHASES, THE PERMITTEE SHALL PLAN FOR APPROPRIATE SOIL EROSION AND SEDIMENT CONTROL MEASURES.
- D. A STABILIZED MAT OF CRUSHED STONE MEETING IDOT GRADATION CA-01 UNDERLAIN WITH FILTER FABRIC AND IN ACCORDANCE WITH THE ILLINOIS URBAN MANUAL, OR OTHER APPROPRIATE MEASURE(S) AS APPROVED BY THE ENFORCEMENT OFFICER, SHALL BE INSTALLED AT ANY POINT WHERE TRAFFIC WILL BE ENTERING OR LEAVING A CONSTRUCTION SITE. SEDIMENT OR SOIL REACHING AN IMPROVED PUBLIC RIGHT OF WAY, STREET, ALLEY OR PARKING AREA SHALL BE REMOVED BY SCRAPING OR STREET CLEANING AS ACCUMULATIONS WARRANT AND TRANSPORTED TO A CONTROLLED SEDIMENT DISPOSAL AREA.
- E. TEMPORARY DIVERSIONS SHALL BE CONSTRUCTED AS NECESSARY TO DIRECT ALL RUNOFF FROM HYDROLOGICALLY DISTURBED AREAS TO AN APPROPRIATE SEDIMENT TRAP OR BASIN.
- F. DISTURBED AREAS SHALL BE STABILIZED WITH TEMPORARY OR PERMANENT MEASURES WITHIN SEVEN (7) CALENDAR DAYS FOLLOWING THE END OF ACTIVE HYDROLOGIC DISTURBANCE OR REDISTURBANCE.
- G. ALL STOCKPILES SHALL HAVE APPROPRIATE MEASURES TO PREVENT EROSION. STOCKPILES SHALL NOT BE PLACED IN FLOOD PRONE AREAS OR WETLANDS AND DESIGNATED BUFFERS.
- H. SLOPES STEEPER THAN 3H:1V SHALL BE STABILIZED WITH APPROPRIATE MEASURES AS APPROVED BY THE ENFORCEMENT OFFICER.
- I. APPROPRIATE EROSION CONTROL BLANKET SHALL BE INSTALLED ON ALL INTERIOR DETENTION BASIN SIDE SLOPES BETWEEN THE NORMAL WATER LEVEL AND HIGH WATER LEVEL.
- J. STORM SEWERS THAT ARE OR WILL BE FUNCTIONING DURING CONSTRUCTION SHALL BE PROTECTED BY AN APPROPRIATE SEDIMENT CONTROL MEASURE.
- K. IF DEWATERING SERVICES ARE USED, ADJOINING PROPERTIES AND DISCHARGE LOCATIONS SHALL BE PROTECTED FROM EROSION AND SEDIMENTATION. DISCHARGES SHALL BE ROUTED THROUGH AN APPROVED ANIONIC POLYMER DEWATERING SYSTEM OR A SIMILAR MEASURE AS APPROVED BY THE ENFORCEMENT OFFICER. DEWATERING SYSTEMS SHOULD BE INSPECTED DAILY DURING OPERATIONAL PERIODS. THE ENFORCEMENT OFFICER, OR APPROVED REPRESENTATIVE, MUST BE PRESENT AT THE COMMENCEMENT OF DEWATERING ACTIVITIES.
- L. IF INSTALLED SOIL EROSION AND SEDIMENT CONTROL MEASURES DO NOT MINIMIZE SEDIMENT LEAVING THE DEVELOPMENT SITE, ADDITIONAL MEASURES SUCH AS ANIONIC POLYMERS OR FILTRATION SYSTEMS MAY BE REQUIRED BY THE ENFORCEMENT OFFICER.
- M. ALL TEMPORARY AND PERMANENT EROSION CONTROL MEASURES MUST BE MAINTAINED AND REPAIRED AS NEEDED. THE PROPERTY OWNER SHALL BE ULTIMATELY RESPONSIBLE FOR MAINTENANCE AND REPAIR.
- N. ALL TEMPORARY SEDIMENT CONTROL MEASURES SHALL BE REMOVED WITHIN 30 DAYS AFTER FINAL SITE STABILIZATION IS ACHIEVED OR AFTER THE TEMPORARY MEASURES ARE NO LONGER NEEDED.
- O. THE EROSION CONTROL MEASURES INDICATED ON THE PLANS ARE THE MINIMUM REQUIREMENTS. ADDITIONAL MEASURES MAY BE REQUIRED, AS DIRECTED BY THE ENGINEER, ENFORCEMENT OFFICER, OR OTHER GOVERNING AGENCY.



NOTES:

1. FENCE POST SHALL BE EITHER STEEL "T" LINE POST OR HARDWOOD POST WITH A MINIMUM SECTIONAL AREA OF 2.0 SQUARE INCHES. A CARPENTER'S (NOMINAL) 2"x2" POST WILL MEET SPECIFICATIONS.
2. TOP AND BOTTOM WIRE OF WIRE FABRIC SHALL BE MINIMUM GAGE NO. 9. INTERMEDIATE WIRES OF THE WIRE FABRIC SHALL BE MINIMUM GAGE NO. 11.
3. WIRE FABRIC SHALL BE SECURELY FASTENED TO FENCE POSTS WITH NO. 9 GAGE WIRE MINIMUM. FOUR (4) FASTENERS PER POST REQUIRED.
4. FILTER FABRIC SHALL BE SECURELY FASTENED TO WIRE FABRIC AND POSTS WITH TIES OR STAPLES SPACED AT 12" APART AT THE TOP, MIDDLE AND BOTTOM.
5. WHEN TWO SECTIONS OF FILTER FABRIC MEET, THEY SHALL BE OVERLAPPED BY 6" AND FOLDED AND ATTACHED TO THE WIRE FABRIC AT A POST.
6. FILTER FABRIC SHALL BE IN ACCORDANCE WITH SPECIAL PROVISIONS WITH APPARENT OPENING SIZE (AOS) OF AT LEAST 40 FOR NONWOVEN AND WOVEN. THE FABRIC MUST MEET THE APPLICABLE STANDARDS OF AASHTO 288-00 (Article IV, Section B.1.j.1.f.i, AS AMENDED), OR EQUIVALENT.
7. A MAXIMUM OF 5 FEET IS USED FOR POST-TO-POST SPACING.
8. SOIL DISTURBANCE SHALL BE CONDUCTED IN SUCH A MANNER AS TO MINIMIZE EROSION. SOIL STABILIZATION MEASURES SHALL CONSIDER THE TIME OF YEAR, SITE CONDITIONS AND THE USE OF TEMPORARY OR PERMANENT MEASURES.
9. ALL STORM SEWERS THAT ARE OR WILL BE FUNCTIONING DURING CONSTRUCTION SHALL BE PROTECTED BY AN APPROPRIATE SEDIMENT CONTROL MEASURE.
10. SILT FENCE SHALL BE INSTALLED PRIOR TO ANY GRADING WORK IN THE AREA TO BE PROTECTED. PERIODIC INSPECTION SHALL BE PERFORMED AND REQUIRED MAINTENANCE SHALL BE PROVIDED AFTER EACH RAIN EVENT.
11. MAINTENANCE SHALL BE PERFORMED AS NEEDED AND MATERIAL REMOVED AND REPLACED WHEN BULGES DEVELOP IN THE SILT FENCE.
12. IF DEWATERING SERVICES ARE USED, ADJOINING PROPERTIES AND DISCHARGE LOCATIONS SHALL BE PROTECTED FROM EROSION. DISCHARGES SHALL BE ROUTED THROUGH AN EFFECTIVE SEDIMENT CONTROL MEASURE (E.G. SEDIMENT TRAP, SEDIMENT BASIN, OR OTHER APPROPRIATE MEASURE).
13. FENCE POSTS SHALL BE REMOVED WHEN DIRECTED AT PROJECT END.
14. THE EROSION CONTROL MEASURES INDICATED ON THE PLANS ARE THE MINIMUM REQUIREMENTS. ADDITIONAL MEASURES MAY BE REQUIRED, AS DIRECTED BY THE ENGINEER OR GOVERNING AGENCY.

STORM WATER POLLUTION PREVENTION NOTES

GENERAL
 THE CONTRACTOR SHALL IMPLEMENT ALL PROVISIONS OF THE CONTRACT DOCUMENTS TO ASSURE THAT STORM WATER POLLUTION PREVENTION ITEMS ARE CONSTRUCTED AND MAINTAINED IN A TIMELY MANNER. SEDIMENTATION MUST NOT BE TRANSPORTED OFF THE CONSTRUCTION SITE. PERMANENT DRAINAGE FEATURES AND VEGETATIVE MEASURES SHALL BE PROVIDED AS SOON AS POSSIBLE.

THE MAINTENANCE OF ALL STORM WATER POLLUTION PREVENTION MEASURES IS INCIDENTAL TO THE ASSOCIATED ITEM.

POLLUTION PREVENTION MEASURES
 THE CONTRACTOR SHALL BE REQUIRED TO IMPLEMENT AND MAINTAIN STORM WATER POLLUTION PREVENTION PRACTICES AND MEASURES PRIOR TO THE STRIPPING OF EXISTING VEGETATION WHEREVER POSSIBLE AND AS SOON AS CONSTRUCTION PERMITS IN OTHER AREAS. POLLUTION CONTROL MEASURES SHALL BE IN ACCORDANCE WITH THE CONTRACT DOCUMENTS, INCLUDING THESE CONSTRUCTION PLANS, AND WITH STANDARDS AND SPECIFICATIONS FOR SOIL EROSION AND SEDIMENT CONTROL, ILLINOIS ENVIRONMENTAL PROTECTION AGENCY, CURRENT ISSUE. THE CONTRACTOR SHALL ADJUST HIS OPERATIONS AND IMPLEMENT POLLUTION CONTROL MEASURES SO THAT NO RUNOFF FROM STRIPPED AREAS WILL LEAVE THE CONSTRUCTION SITE OTHER THAN THROUGH SEDIMENT TRAPS OR OTHER SUITABLE CONTROL MEASURES.

POLLUTION CONTROL ITEMS SHALL BE PROVIDED AS NOTED ON THE STORM WATER POLLUTION PREVENTION PLAN AND IN THE STORM WATER POLLUTION PREVENTION DETAILS AND AS DIRECTED BY THE ENGINEER. THE LIMITS OF SUCH MEASURES SHALL BE STAKED BY THE CONTRACTOR PRIOR TO THE COMMENCEMENT OF CONSTRUCTION. SUCH LIMITS MAY BE ADJUSTED BY THE ENGINEER TO ACCOUNT FOR ACTUAL SITE CONDITIONS EXPERIENCED DURING CONSTRUCTION. ADDITIONAL COMPENSATION FOR MEASURES EXCEEDING THE PLAN QUANTITIES WILL BE PAID FOR AT THE CONTRACT UNIT PRICE FOR EACH ITEM.

THE CONTRACTOR IS TO MAINTAIN AND ADJUST, REPAIR OR REPLACE ALL POLLUTION PREVENTION MEASURES AS REQUIRED OR AS DIRECTED BY THE ENGINEER UNTIL PERMANENT VEGETATION HAS BEEN ESTABLISHED. MAINTENANCE OF POLLUTION CONTROL MEASURES IS TO BE PROVIDED AT NO ADDITIONAL COST TO THE CONTRACT.

ADDITIONAL STORMWATER POLLUTION PREVENTION MEASURES ARE EXISTING ON SITE LOCATED AT DRAINAGE FACILITIES AND ALONG THE PROPERTY LINE.

DATE SIGNED:	LICENSE EXPIRES:

REHABILITATE T-HANGAR PAVEMENT

IDA No.: 2H0-5034

IL Contract No.: SE008

NO.	DATE	DESCRIPTION		
		DES	DRN	REV

ISSUE: NOVEMBER 14, 2025

PROJECT NO: 25A0040

CAD FILE: G-010-SWPP.DWG

DESIGN BY: TLL 09/30/25

DRAWN BY: TLL 09/30/25

REVIEWED BY: LDH 11/12/25

SHEET TITLE

STORMWATER POLLUTION PREVENTION PLAN - DETAILS AND NOTES

