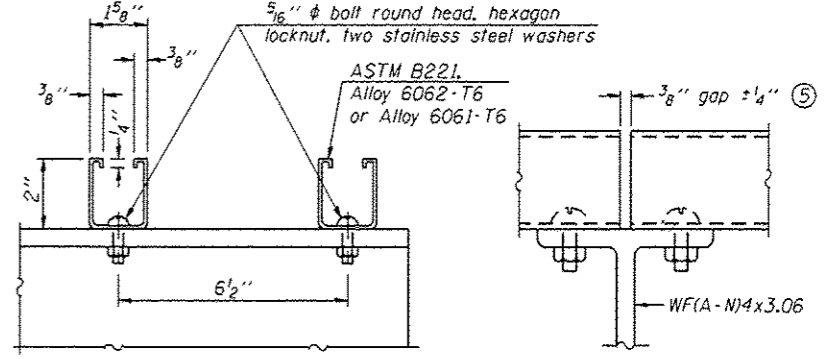
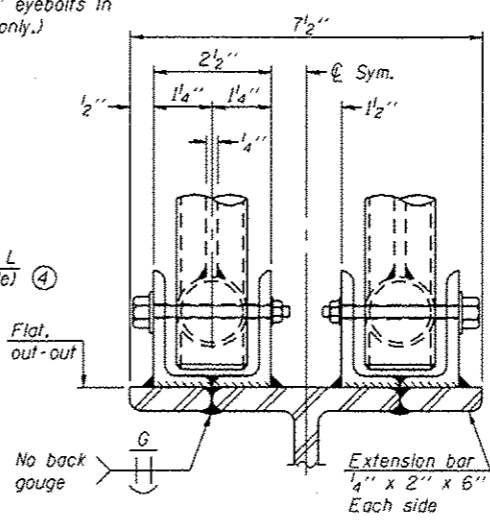
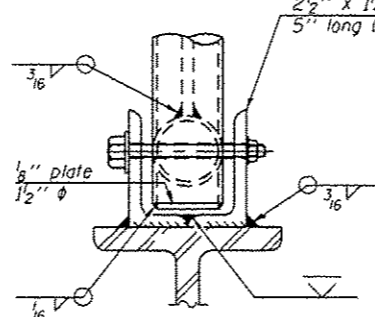
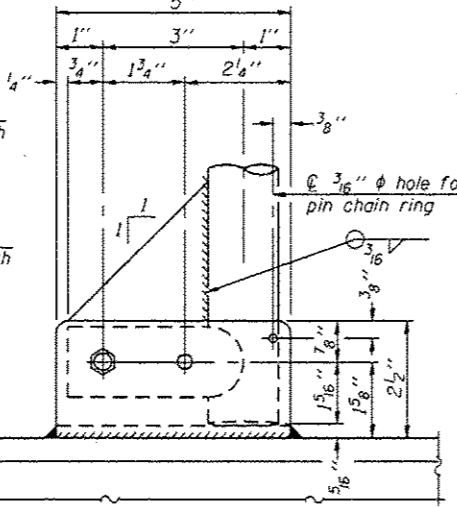
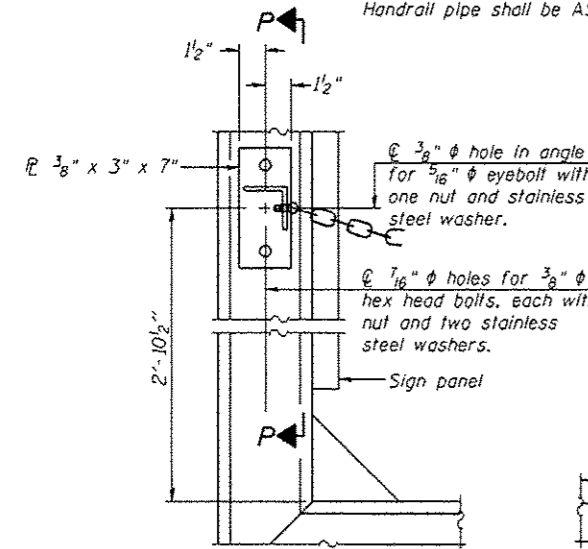


HANDRAIL DETAILS

Handrail pipe shall be ASTM B241 or B429, Alloy 6063-T6 or Alloy 6061-T6.

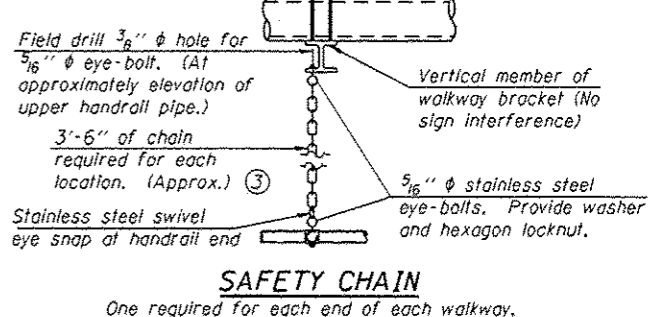
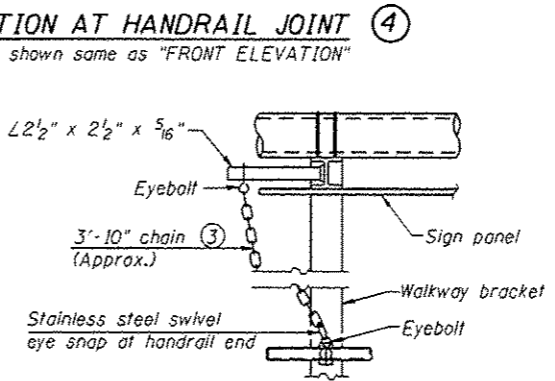
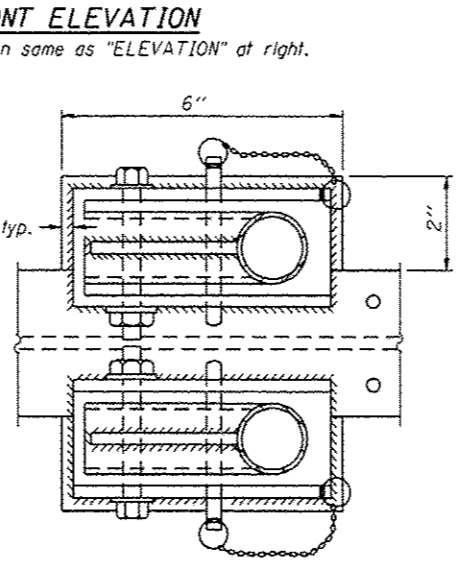
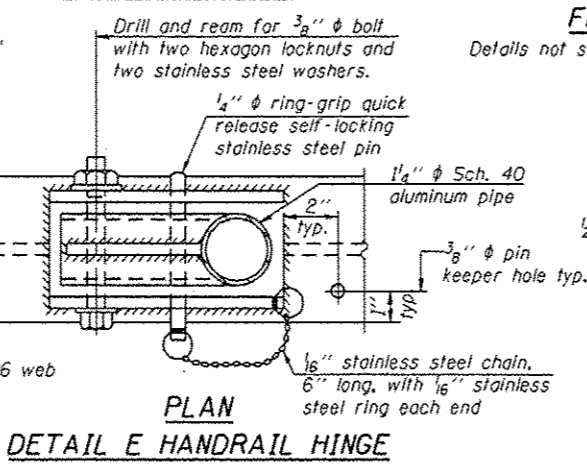
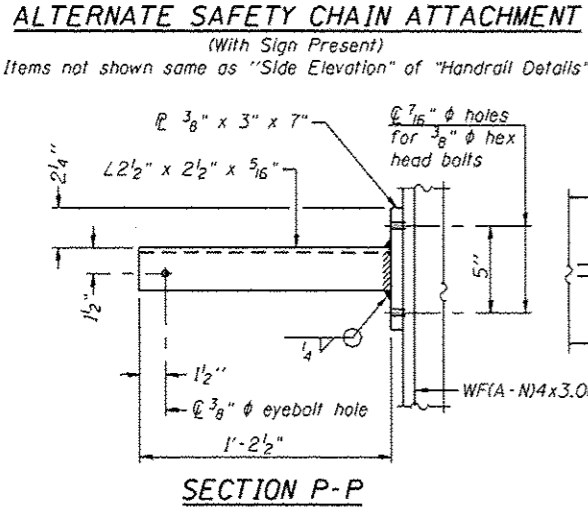
① Install standard force-fit end caps or weld 1/8" end plates with 1/8" c.f.w. and grind smooth. (All rail ends)

② Horizontal handrail member shall be continuous thru fitting. Provide 7/16" hole in fitting for 3/8" bolt. Field drill 1/16" hole in horizontal rail member. Provide locknut and two stainless steel washers for bolt. (Use 5/16" eyebolts in 3/16" holes on top rail at ends only.)



LIGHTING FIXTURE MOUNTS (IF REQUIRED)

⑤ Field cut ends of light support channels shall be free of burrs or hazardous projections and coated with zinc-rich primer or equivalent.



③ 3/16" Type 304L stainless steel chain, approximately 12 links per foot.

④ Extrusions may be used in lieu of the details shown, with approval of the Engineer.

OSC-A-8

6-1-12

D-5 DVD SIN STR REPL 2014-10

FILE NAME	USER NAME	DESIGNED	REVISED
altpw-bark\poidot\bucklesj\0336951\054271-Sht-Details.dgn	bucklesj	-	-
PLOT SCALE	PLOT DATE	CHECKED	REVISED
40,0000 / 1/16"	10/8/2013	-	-
MODEL NAME	DATE	REVISED	-
		-	-

STATE OF ILLINOIS
DEPARTMENT OF TRANSPORTATION

CANTILEVER SIGN STRUCTURES - HANDRAIL DETAILS
ALUMINUM TRUSS & STEEL POST

F.A. RTE.	SECTION	COUNTY	TOTAL SHEETS	SHEET NO.
VAR.		VARIOUS	15	20
CONTRACT NO. 46271			ILLINOIS FED. AID PROJECT	

SCALE: SHEET OF SHEETS STA. TO STA.