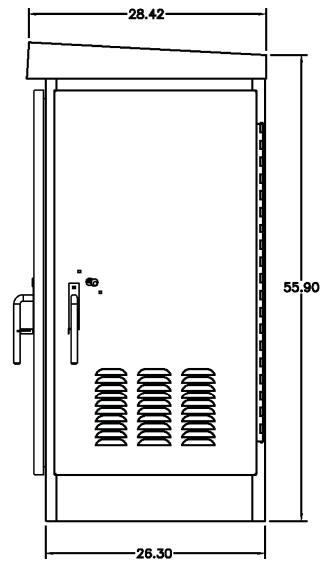
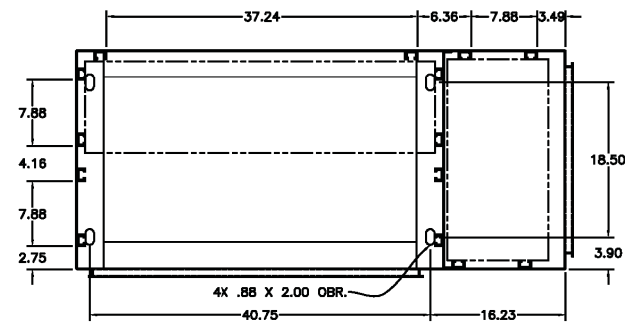


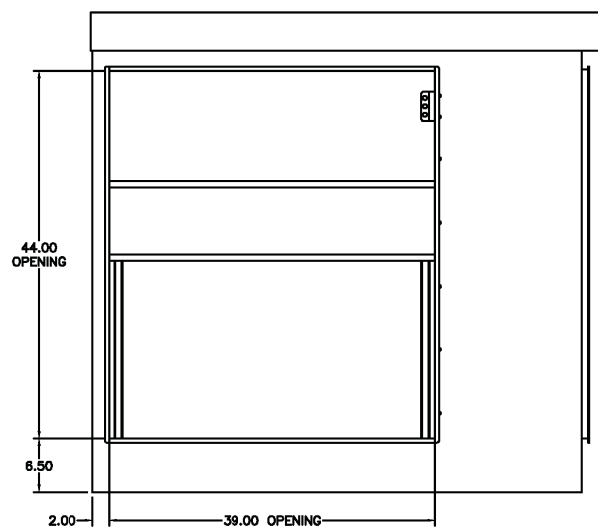
FRONT VIEW



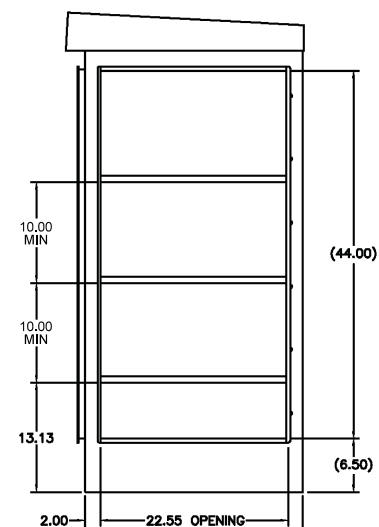
SIDE VIEW



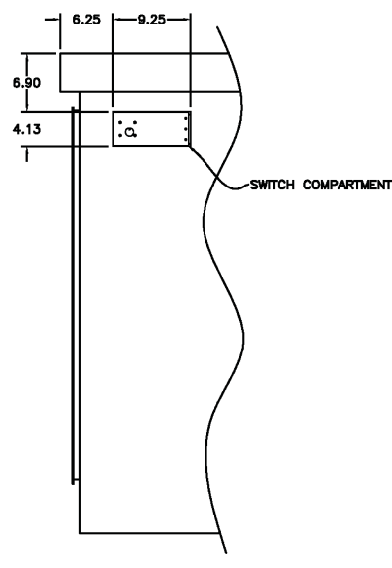
SECTION A-A  
DOORS REMOVED FOR CLARITY



FRONT VIEW  
LESS DOOR



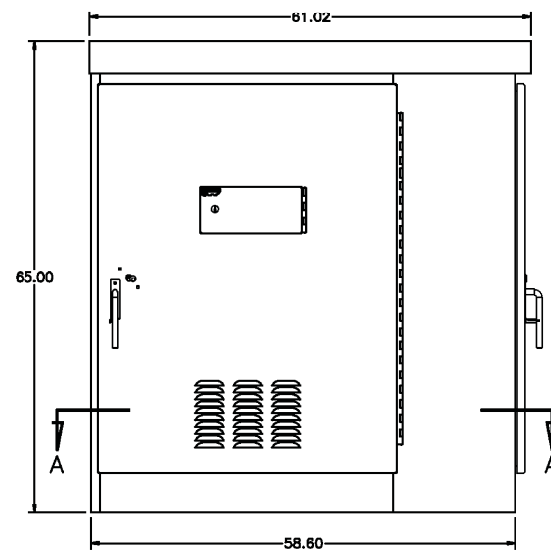
SIDE VIEW  
LESS DOOR



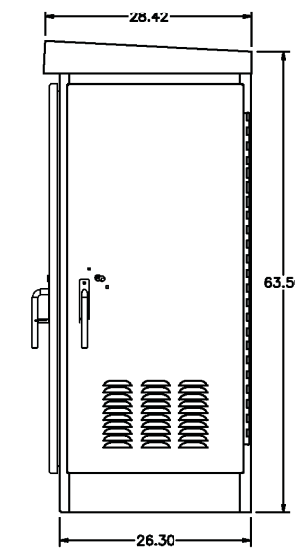
REAR VIEW  
PARTIAL

**SUPER P TRAFFIC SIGNAL CABINET, TYPE IV, SPECIAL**

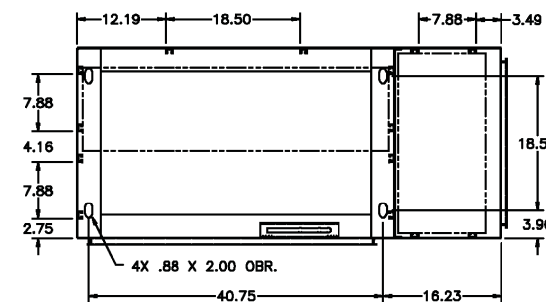
58.6" W x 57.4" H x 26.3" D  
(DIMENSIONS SHOWN IN INCHES)



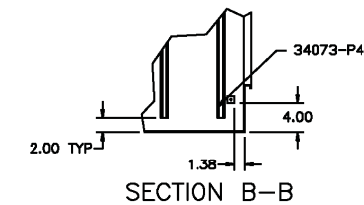
FRONT VIEW



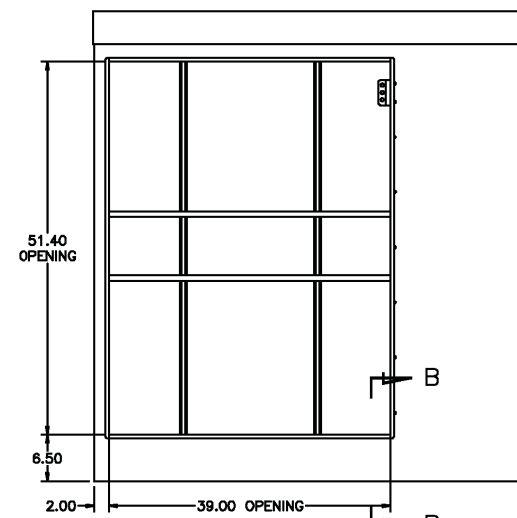
SIDE VIEW



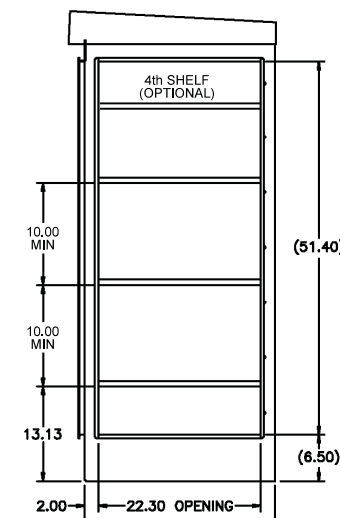
DOORS REMOVED FOR CLARITY  
SECTION A-A



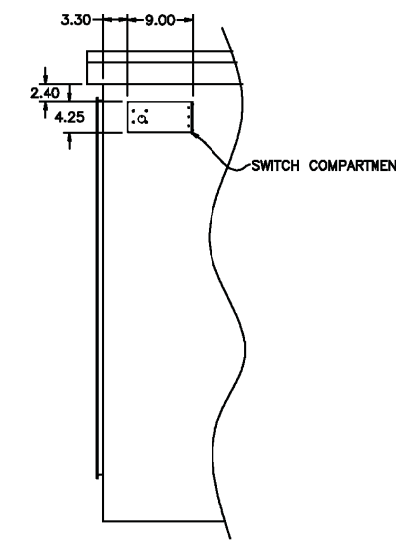
SECTION B-B



FRONT VIEW  
LESS DOOR



SIDE VIEW  
LESS DOOR



REAR VIEW  
PARTIAL

**SUPER R TRAFFIC SIGNAL CABINET, TYPE V, SPECIAL**

58.6" W x 65.0" H x 26.3" D  
(DIMENSIONS SHOWN IN INCHES)

FILE NAME =	USER NAME = *USER*	DESIGNED - DW	REVISED -
N:\Projects\312055\DesignCAD\Sheet Files\60V34 SUPER P & R DETAIL.dgn		DRAWN - LV	REVISED -
	PLOT SCALE = *SCALE*	CHECKED - KM	REVISED -
	PLOT DATE = 10/11/2013	DATE - 9/25/2012	REVISED -

STATE OF ILLINOIS  
DEPARTMENT OF TRANSPORTATION

SUPER P AND SUPER R  
TRAFFIC SIGNAL CABINET DETAIL

SCALE: SHEET NO. OF SHEETS STA. TO STA.

F.A.P. RTE.	SECTION	COUNTY	TOTAL SHEETS	SHEET NO.
372	2012-047I	COOK	63	53
CONTRACT NO. 60V34				
ILLINOIS FED. AID PROJECT				