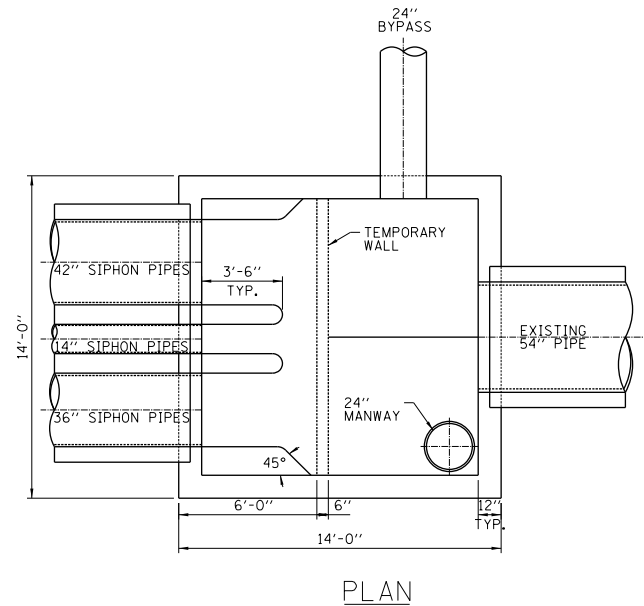
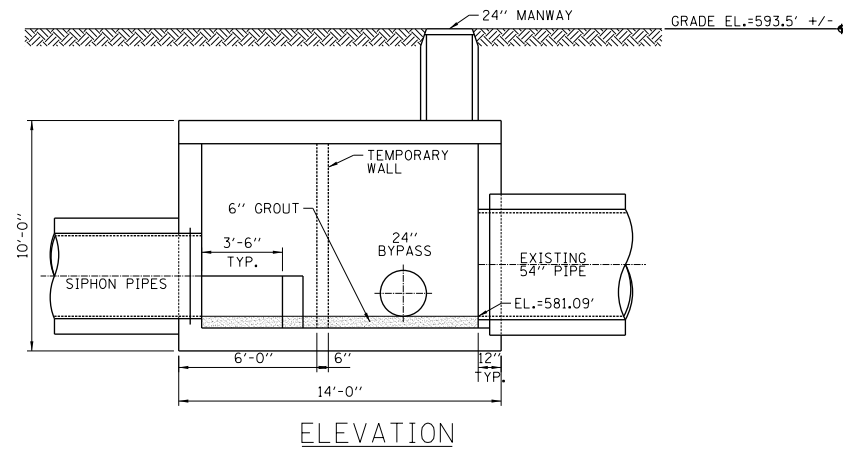


FILE PATH = p:\388035\pmt\escomon\me\local\p\MECD\00\Documents\01_Americas\Transportation\60269938_Circle\Phase_1\1000_CAD\006_Roadway_Sheets\60W29_sht-Siphon-03.dgn

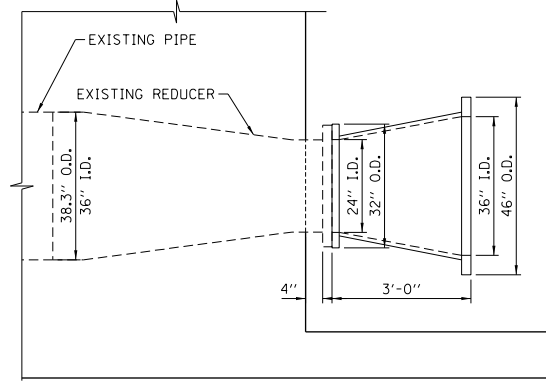


PLAN

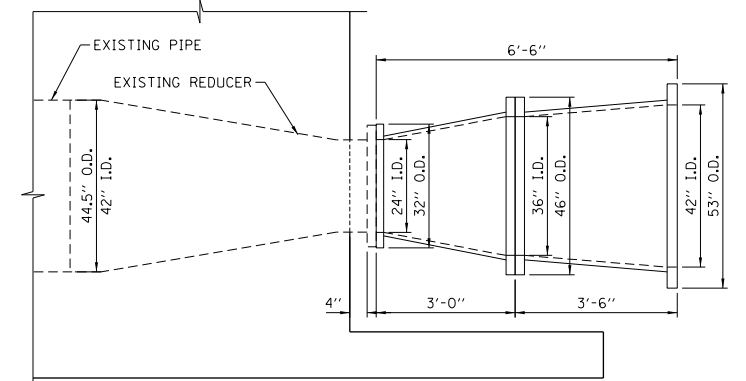


ELEVATION

SIPHON OUTLET JUNCTION CHAMBER
NOT TO SCALE



36" REDUCER DETAIL
NOT TO SCALE



42" REDUCER DETAIL
NOT TO SCALE

CONNECTION DETAILS



D160W29-sht-Siphon-03.dgn
USER NAME = BAW:tor t
PLOT SCALE = 100.0000' / in.
PLOT DATE = 10/28/2013

DESIGNED - JEH
DRAWN - LP
CHECKED - JWC
DATE - 10/30/2013

REVISED -
REVISED -
REVISED -
REVISED -

STATE OF ILLINOIS
DEPARTMENT OF TRANSPORTATION

SIPHON DETAILS

SCALE: NONE SHEET 4 OF 11 SHEETS STA. TO STA.

F.A.I. RTE.	SECTION	COUNTY	TOTAL SHEETS	SHEET NO.
90/94/290	2013-011R	COOK	356	73
CONTRACT NO. 60W29			ILLINOIS FED. AID PROJECT	