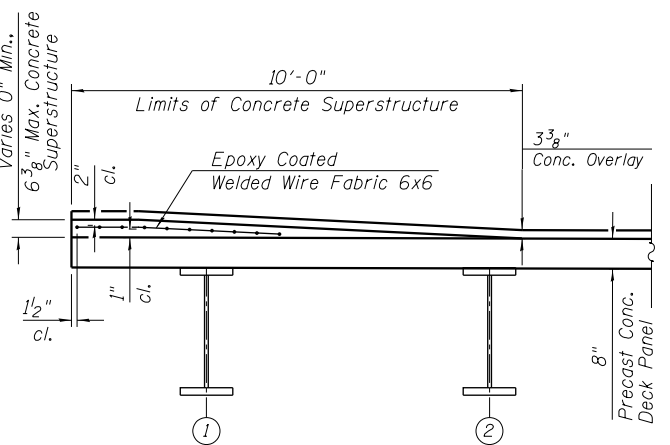


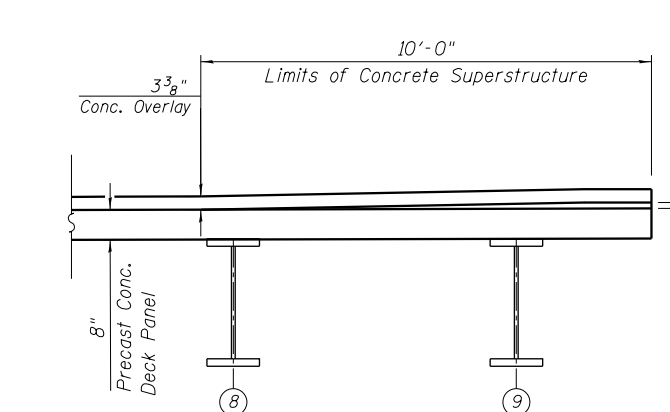
FACE OF WEST PARAPET

PGL & C ROADWAY

FACE OF EAST PARAPET



SECTION A-A



SECTION B-B

Location	Station	Offset	Theoretical Grade Elevations	Overlay Thickness
Bk. S. Abut.	3702+57.64	-26.67	596.63	2.25
S. Abut.	3702+59.81	-26.67	596.65	2.25
1A	3702+69.81	-26.67	596.75	2.25
1B	3702+79.81	-26.67	596.85	2.25
1C	3702+89.81	-26.67	596.94	2.25
1D	3702+99.81	-26.67	597.04	2.25
1E	3703+09.81	-26.67	597.14	2.25
1F	3703+19.81	-26.67	597.24	2.25
1G	3703+29.81	-26.67	597.33	2.25
1H	3703+39.81	-26.67	597.43	2.25
Pier 1	3703+45.89	-26.67	597.51	2.46
2A	3703+55.89	-26.67	597.85	5.35
2B	3703+65.89	-26.67	598.31	9.81
2C	3703+75.89	-26.67	598.31	8.61
2D	3703+85.89	-26.67	598.31	7.41
2E	3703+95.89	-26.67	598.31	6.21
2F	3704+05.89	-26.67	598.48	7.22
2G	3704+15.89	-26.67	598.55	6.78
Pier 2	3704+26.39	-26.67	598.27	2.25
3A	3704+36.39	-26.67	598.37	2.25
3B	3704+46.39	-26.67	598.47	2.25
3C	3704+56.39	-26.67	598.57	2.25
3D	3704+66.39	-26.67	598.66	2.25
3E	3704+76.39	-26.67	598.71	2.25
3F	3704+86.39	-26.67	598.69	2.25
3G	3704+96.39	-26.67	598.60	2.25
3H	3705+06.39	-26.67	598.43	2.25
3I	3705+16.39	-26.67	598.19	2.25
N. Abut.	3705+28.56	-26.67	597.80	2.25
Bk. N. Abut.	3705+30.73	-26.67	597.44	2.25

Location	Station	Offset	Theoretical Grade Elevations	Overlay Thickness
Bk. S. Abut.	3702+57.64	0.00	597.03	2.25
S. Abut.	3702+59.81	0.00	597.05	2.25
1A	3702+69.81	0.00	597.15	2.25
1B	3702+79.81	0.00	597.25	2.25
1C	3702+89.81	0.00	597.34	2.25
1D	3702+99.81	0.00	597.44	2.25
1E	3703+09.81	0.00	597.54	2.25
1F	3703+19.81	0.00	597.64	2.25
1G	3703+29.81	0.00	597.73	2.25
1H	3703+39.81	0.00	597.83	2.25
Pier 1	3703+45.89	0.00	597.89	2.25
2A	3703+55.89	0.00	597.99	2.25
2B	3703+65.89	0.00	598.08	2.25
2C	3703+75.89	0.00	598.18	2.25
2D	3703+85.89	0.00	598.28	2.25
2E	3703+95.89	0.00	598.38	2.25
2F	3704+05.89	0.00	598.47	2.25
2G	3704+15.89	0.00	598.57	2.25
Pier 2	3704+26.39	0.00	598.67	2.25
3A	3704+36.39	0.00	598.77	2.25
3B	3704+46.39	0.00	598.87	2.25
3C	3704+56.39	0.00	598.97	2.25
3D	3704+66.39	0.00	599.06	2.25
3E	3704+76.39	0.00	599.11	2.25
3F	3704+86.39	0.00	599.09	2.25
3G	3704+96.39	0.00	599.00	2.25
3H	3705+06.39	0.00	598.83	2.25
3I	3705+16.39	0.00	598.59	2.25
N. Abut.	3705+28.56	0.00	598.20	2.25
Bk. N. Abut.	3705+30.73	0.00	598.12	2.25

Location	Station	Offset	Theoretical Grade Elevations	Overlay Thickness
Bk. S. Abut.	3702+57.64	26.67	596.63	2.25
S. Abut.	3702+59.81	26.67	596.65	2.25
1A	3702+69.81	26.67	596.75	2.25
1B	3702+79.81	26.67	596.85	2.25
1C	3702+89.81	26.67	596.94	2.25
1D	3702+99.81	26.67	597.04	2.25
1E	3703+09.81	26.67	597.14	2.25
1F	3703+19.81	26.67	597.24	2.25
1G	3703+29.81	26.67	597.33	2.25
1H	3703+39.81	26.67	597.43	2.25
Pier 1	3703+45.89	26.67	597.49	2.29
2A	3703+55.89	26.67	597.68	3.37
2B	3703+65.89	26.67	597.91	5.16
2C	3703+75.89	26.67	597.88	3.49
2D	3703+85.89	26.67	597.90	2.43
2E	3703+95.89	26.67	597.98	2.25
2F	3704+05.89	26.67	598.07	2.25
2G	3704+15.89	26.67	598.17	2.25
Pier 2	3704+26.39	26.67	598.27	2.25
3A	3704+36.39	26.67	598.37	2.25
3B	3704+46.39	26.67	598.47	2.25
3C	3704+56.39	26.67	598.57	2.25
3D	3704+66.39	26.67	598.66	2.25
3E	3704+76.39	26.67	598.71	2.25
3F	3704+86.39	26.67	598.69	2.25
3G	3704+96.39	26.67	598.60	2.25
3H	3705+06.39	26.67	598.43	2.25
3I	3705+16.39	26.67	598.19	2.25
N. Abut.	3705+28.56	26.67	597.80	2.25
Bk. N. Abut.	3705+30.73	26.67	597.44	2.25

LEGEND
 Concrete Superstructure

Notes:
 Concrete Superstructure is to be reinforced with 6x6 W1.4/W1.4 Epoxy Coated Welded Wire.
 For Top of Slab Elevations for precast concrete deck panels see Sheets 10 through 12 of 55.
 The surface finish of the overlay shall meet the requirements of Article 424.06 Paragraph 1 of the Standard Specifications.

BILL OF MATERIAL

Item	Unit	Quantity
Concrete Superstructure	Cu. Yd.	6.6
Bridge Deck Latex Concrete Overlay For New Bridge Deck	Cu. Yd.	112
Welded Wire Fabric 6x6	Sq. Yd.	32

11:01:58 PM 01/17/08-60W29-5014-TopSlab-4



USER NAME = BAWIort	DESIGNED KAH	REVISED
CHECKED WJC	REVISIONS	
PLOT SCALE = 21:4.0024 "/>		

**STATE OF ILLINOIS
 DEPARTMENT OF TRANSPORTATION**

**BRIDGE DECK OVERLAY
 STRUCTURE NO. 016-1708**

SHEET NO. 14 OF 55 SHEETS

MUN	SECTION	COUNTY	TOTAL SHEETS	SHEET NO.
2090	2013-011R	COOK	356	146
CONTRACT NO. 60W29			ILLINOIS FED. AID PROJECT FED. AID PROJECT	