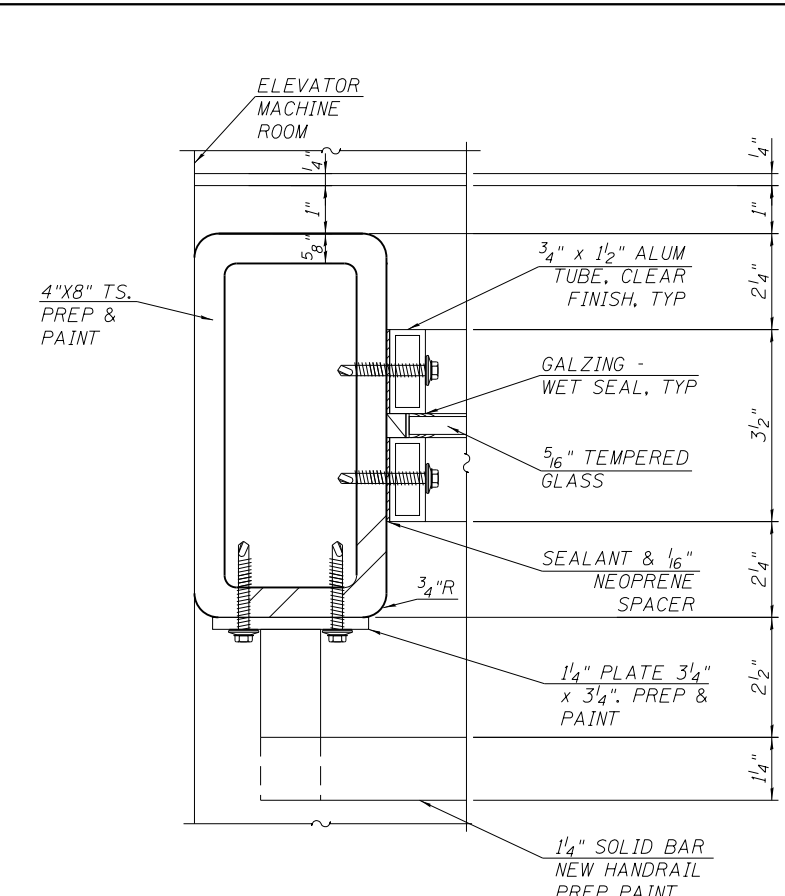
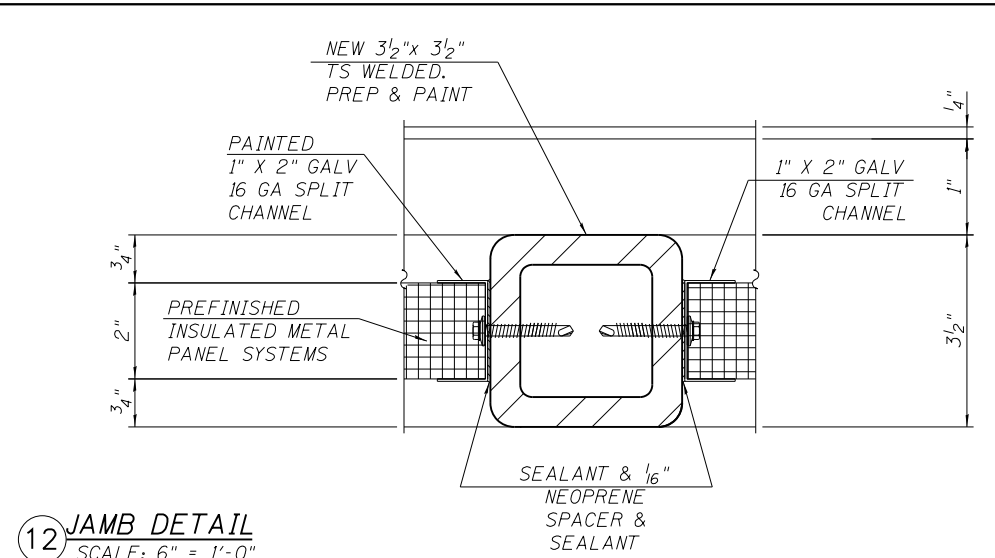


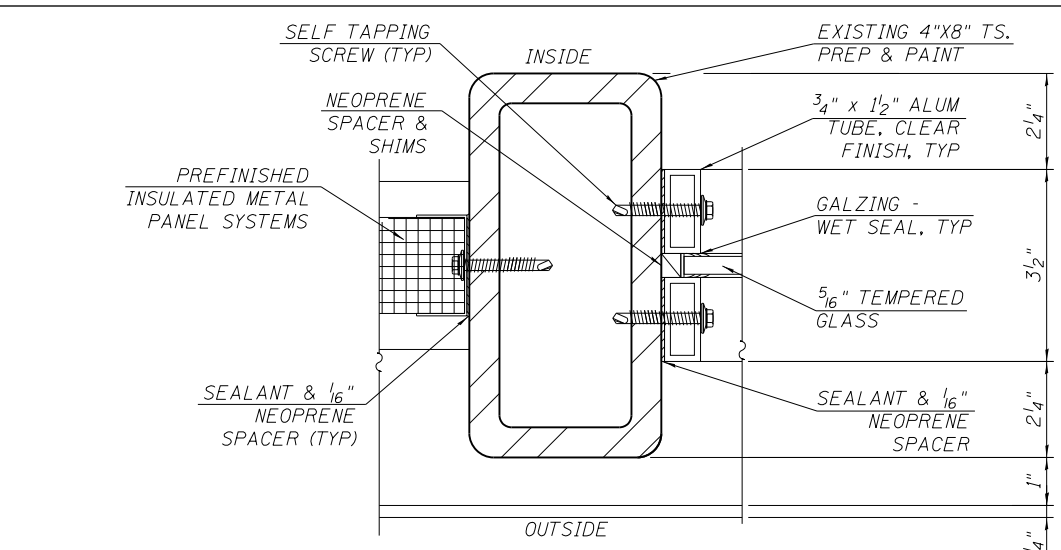
8 JAMB @ CORNER  
SCALE: 6" = 1'-0"



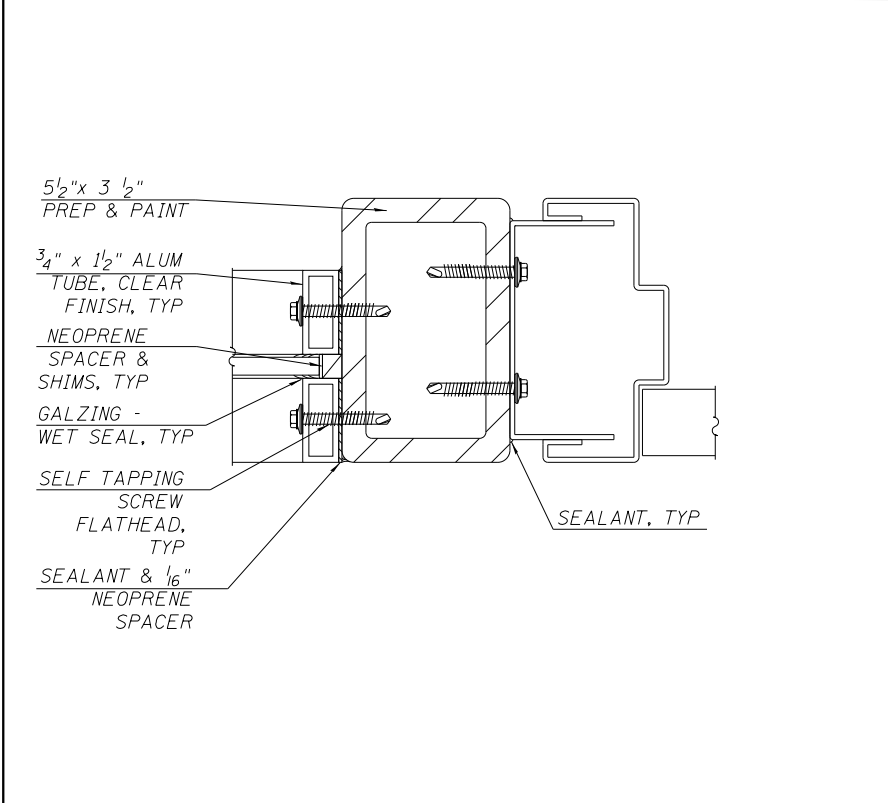
10 JAMB @ ELEV MACHINE ROOM  
SCALE: 6" = 1'-0"



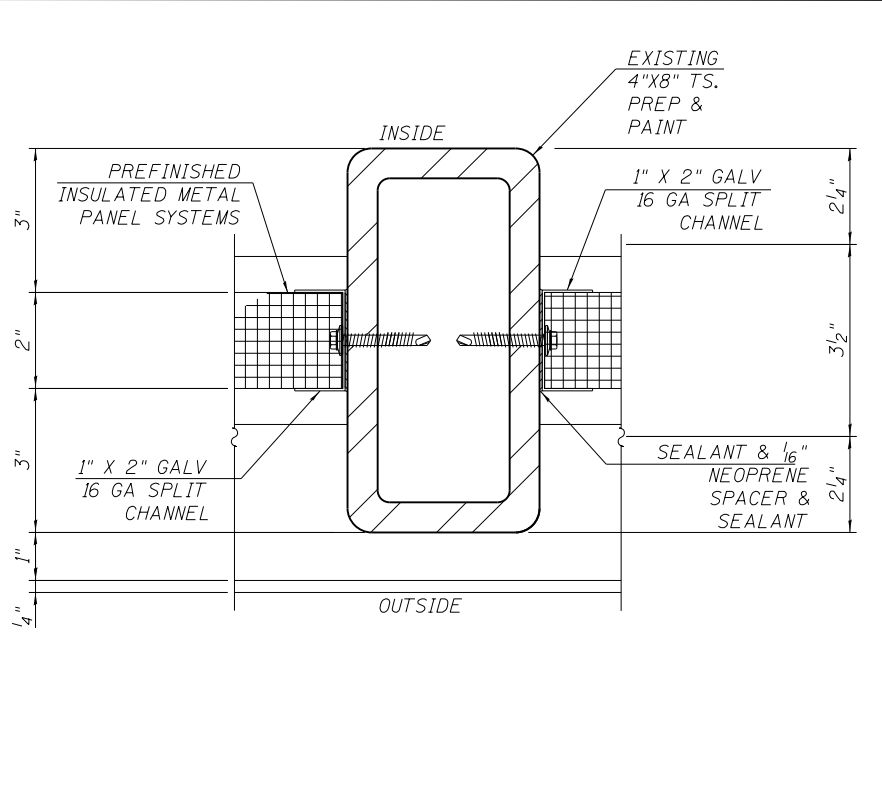
12 JAMB DETAIL  
SCALE: 6" = 1'-0"



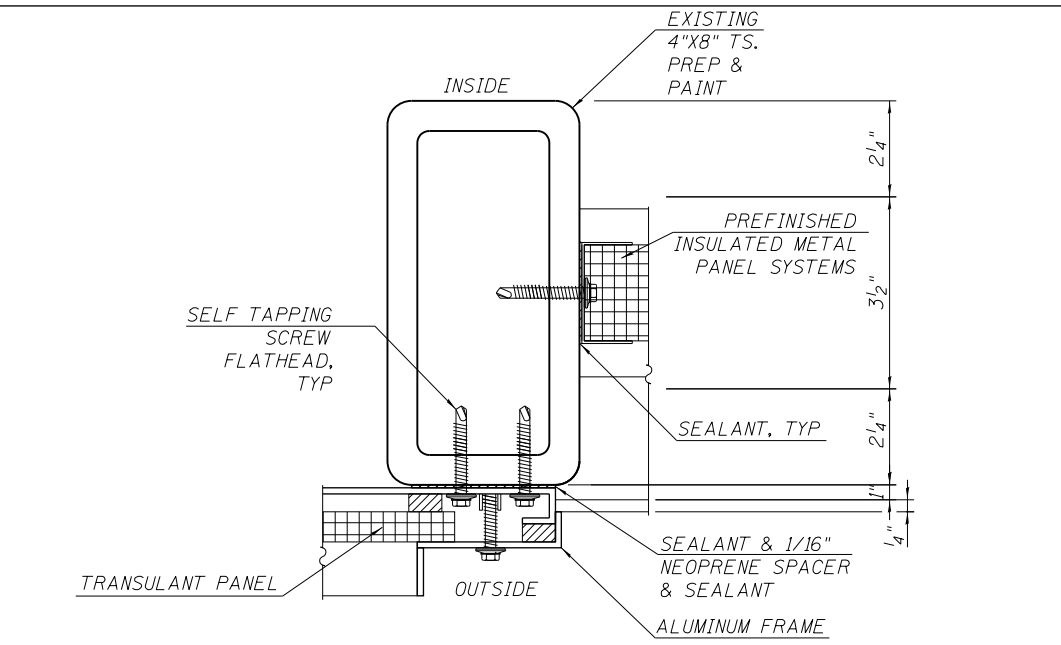
13 JAMB METAL PANEL @ WINDOW DETAIL  
SCALE: 6" = 1'-0"



9 JAMB @ GLASS SS DOORS  
SCALE: 6" = 1'-0"



11 JAMB METAL PANEL  
SCALE: 6" = 1'-0"



14 JAMB METAL PANEL @ TRANSLUCENT PANEL  
SCALE: 6" = 1'-0"

10/16/55 AM 0161708-60W29-A-600.dgn



USER NAME = BAWItoft	DESIGNED - WHB	REVISED
PLOT SCALE = 4x0.0000 Ins/in / in.	CHECKED - CRR	REVISED
PLOT DATE = 10/29/2013	DRAWN - WHB	REVISED
	CHECKED - CRR	REVISED

STATE OF ILLINOIS  
DEPARTMENT OF TRANSPORTATION

PEORIA STREET STATION  
STATION DETAILS

SHEET NO. A-601 OF 117 SHEETS

MUN	SECTION	COUNTY	TOTAL SHEETS	SHEET NO.
2090	2013-011R	COOK	356	248
CONTRACT NO.			60W29	

PRELIMINARY NOT FOR CONSTRUCTION

ILLINOIS FED. AID PROJECT