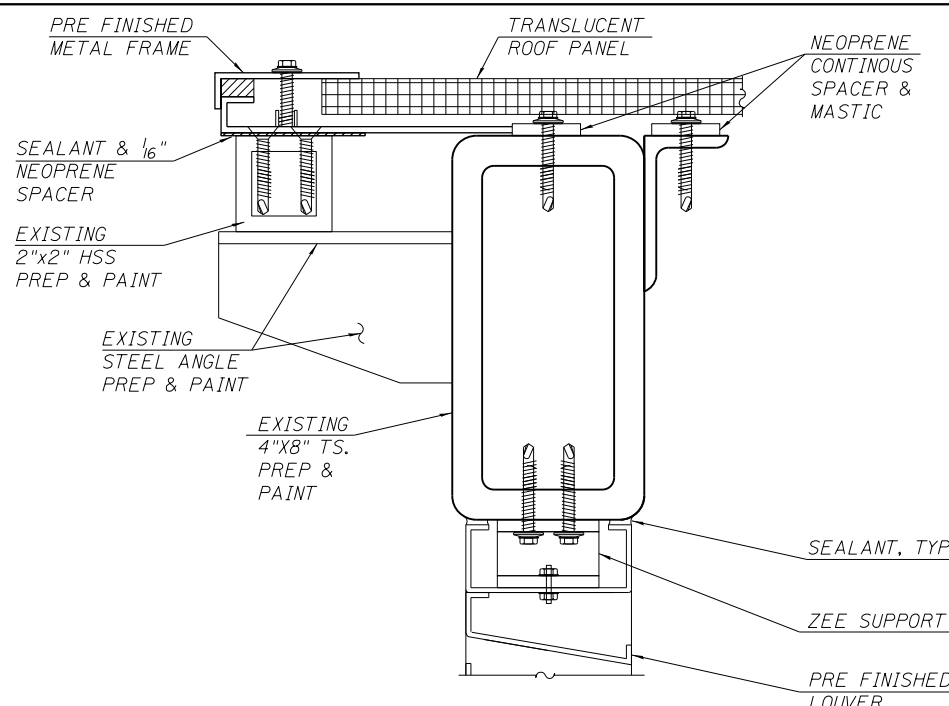
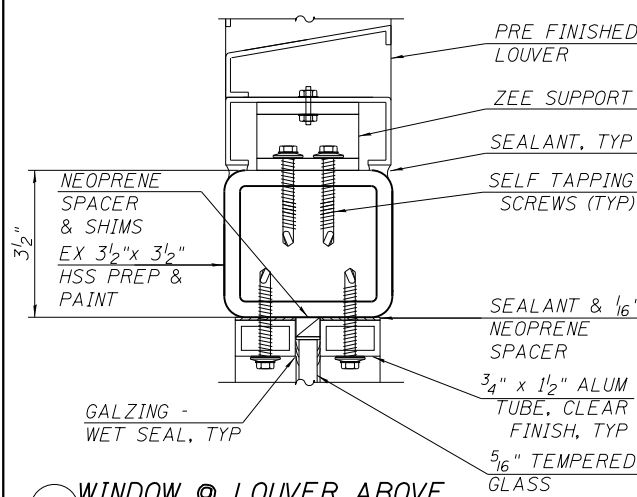


21 HEAD METAL PANEL @ LOUVER  
SCALE: 6" = 1'-0"



24 DOOR FRAME @ LOUVER ABOVE  
SCALE: 6" = 1'-0"

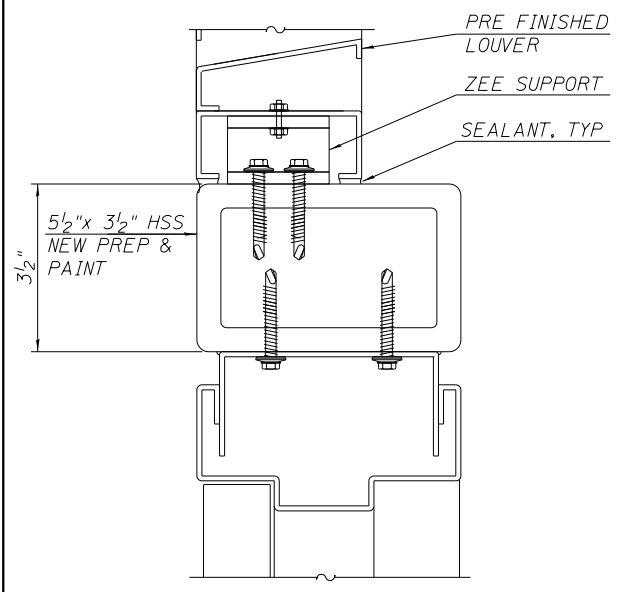
29 DETAIL XXX  
SCALE: 6" = 1'-0"



22 WINDOW @ LOUVER ABOVE  
SCALE: 6" = 1'-0"

25 DETAIL XXX  
SCALE: 6" = 1'-0"

30 DETAIL XXX  
SCALE: 6" = 1'-0"



23 DOOR FRAME @ LOUVER ABOVE  
SCALE: 6" = 1'-0"

27 DETAIL XXX  
SCALE: 6" = 1'-0"

10/16/55 AM 0161708-60W29-A-600.dgn



USER NAME = BAWIort	DESIGNED - WHB	REVISED
PLOT SCALE = 4x0.0000 ins/in / in.	CHECKED - CRR	REVISED
PLOT DATE = 10/29/2013	DRAWN - WHB	REVISED
	CHECKED - CRR	REVISED

STATE OF ILLINOIS  
DEPARTMENT OF TRANSPORTATION

PEORIA STREET STATION  
STATION DETAILS

SHEET NO. A-603 OF 117 SHEETS

PRELIMINARY NOT FOR CONSTRUCTION

MUN	SECTION	COUNTY	TOTAL SHEETS	SHEET NO.
2090	2013-011R	COOK	356	250
CONTRACT NO.			60W29	
ILLINOIS FED. AID PROJECT				