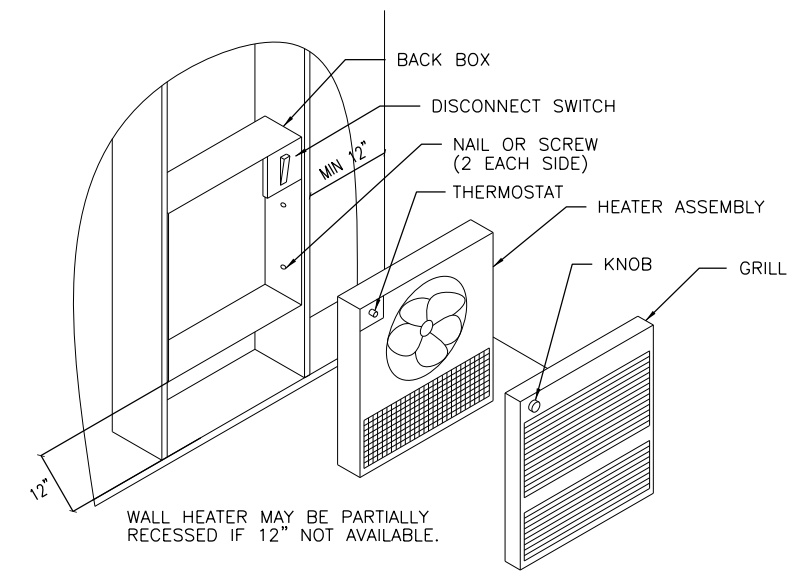
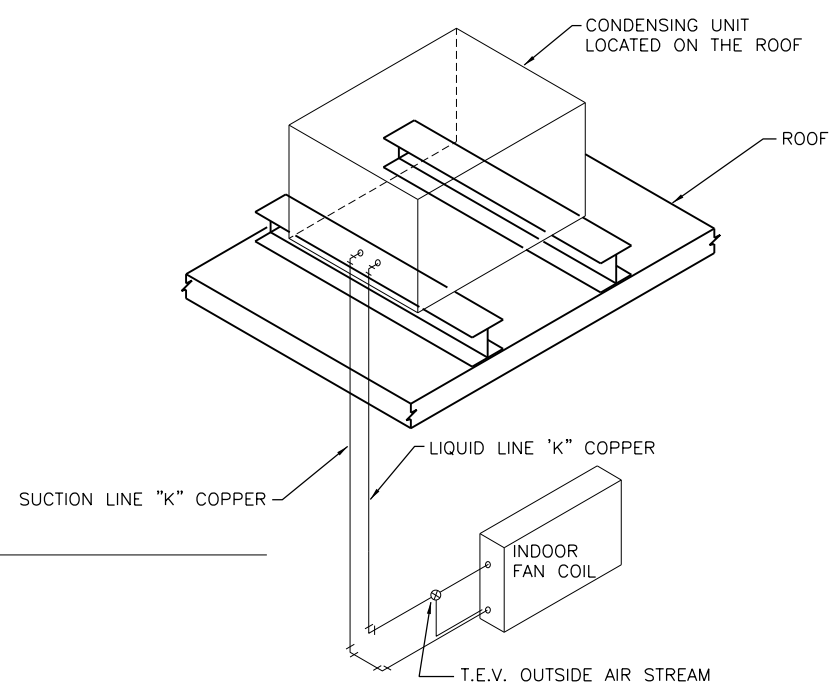


1 MECHANICAL ELEVATOR SHAFT
SCALE: 1/4" = 1'-0"



2 ELECTRIC WALL HEATER (EWH) DETAIL
SCALE: NONE



3 REFRIGERATION PIPING & COMPONENT DIAGRAM
SCALE: NONE

REFRIGERATION NOTES:

1. REMOVE EXPANSION VALVES, DEVICES, AND CONNECTIONS FROM THE AIR STREAM. INSTALL PRESSURE RELIEF VALVE ON HIGH PRESSURE SIDE OF SYSTEM. UPSTREAM FROM ANY LIQUID LINE SHUT-OFF VALVES.
2. REMOTE REFRIGERATION PIPING TO BE K-COPPER.
3. ALL JOINTS SHALL BE BRAZED.
4. ALL REFRIGERATION PIPING AND ACCESSORIES TO BE INSTALLED IN COMPLETE ACCORDANCE WITH MANUFACTURER'S RECOMMENDATIONS.



USER NAME = habib	DESIGNED -	REVISED
	CHECKED -	REVISED
PLOT SCALE = 8:0 '4" / 1".	DRAWN -	REVISED
PLOT DATE = 10/28/2013	CHECKED -	REVISED

STATE OF ILLINOIS
DEPARTMENT OF TRANSPORTATION

PEORIA STREET STATION
MECHANICAL ELEVATOR ELEVATION

SHEET NO. 73 OF 117 SHEETS

MUN	SECTION	COUNTY	TOTAL SHEETS	SHEET NO.
2090	2013-011R	COOK	356	264
CONTRACT NO.			60W29	
ILLINOIS FED. AID PROJECT				

THIS IS A BUY USA (AMERICAN) PROJECT,
ALL EQUIPMENT TO BE MANUFACTURED IN THE USA
PRELIMINARY NOT FOR CONSTRUCTION

8:48:36 PM 2/6/16 MW29.dgn