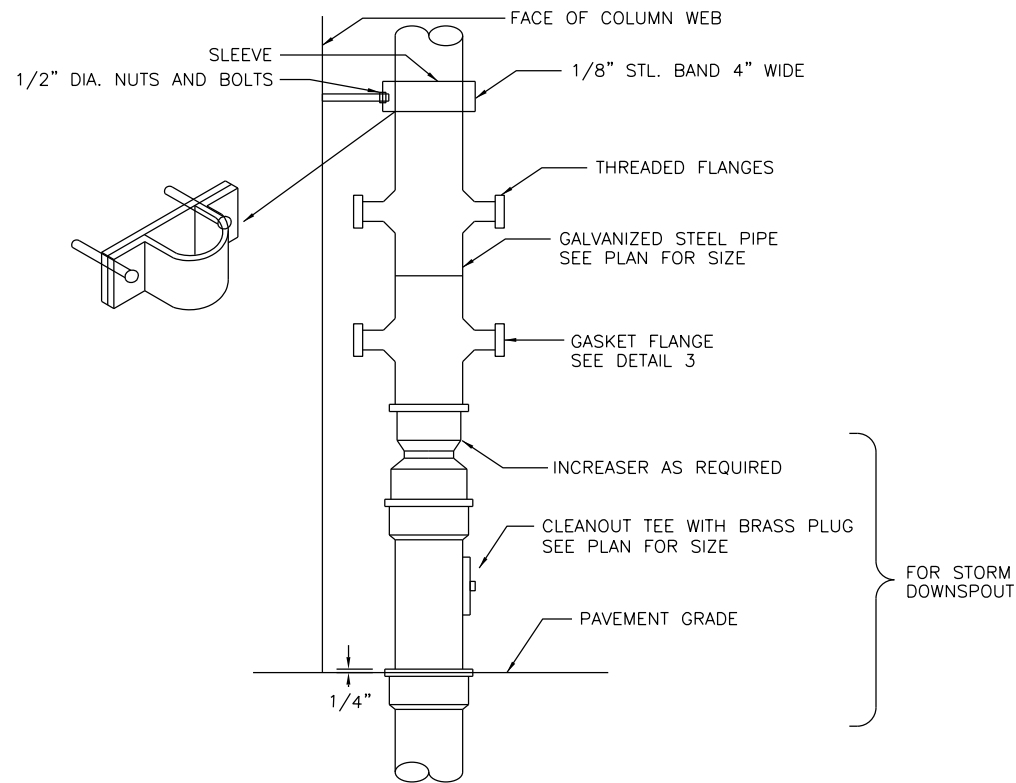


- NOTES:**
1. HEAT TRACING AND INSULATION BY MECHANICAL CONTRACTOR.
  2. HEAT TRACING SHALL BE RATED AT 8 WATTS PER LINEAR FOOT. SEE ELECTRICAL DRAWINGS FOR CIRCUITING.
  3. FOR HORIZONTAL PIPING, RUN HEAT TRACE STRIP BETWEEN 4:00 AND 5:00 POSITIONS OR BETWEEN 7:00 AND 8:00 POSITIONS.

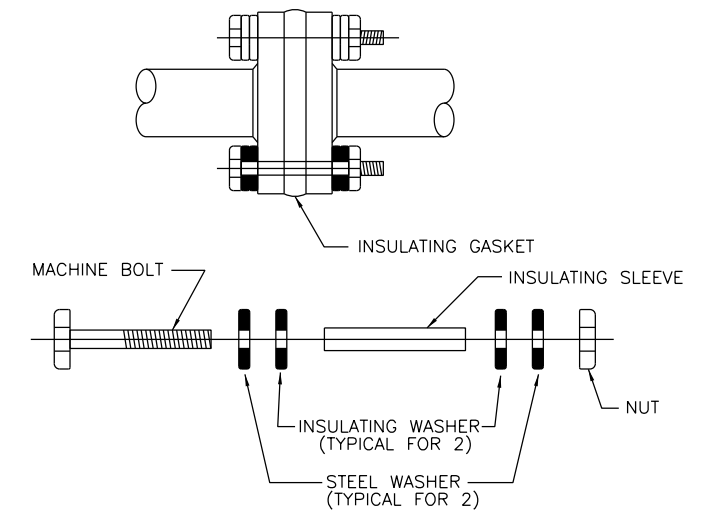
**1** TYPICAL DETAIL OF PIPING WITH HEAT TRACE AND INSULATION

SCALE: NONE



**2** DOUBLE INSULATED FLANGE DETAIL

SCALE: NONE



**3** INSULATING FLANGE

SCALE: NONE

**NOTE:**  
THERE IS TO BE NO PIPING WITH DIRECT CONNECTION TO GROUND. ALL PIPING TO HAVE A DIELECTRIC FITTING BEFORE CONNECTING TO GROUND.

**THIS IS A BUY USA (AMERICAN) PROJECT,  
ALL EQUIPMENT TO BE MANUFACTURED IN THE USA**



USER NAME = habit	DESIGNED -	REVISED
	CHECKED -	REVISED
PLOT SCALE = 8:0 '4" / 1in.	DRAWN -	REVISED
PLOT DATE = 10/28/2013	CHECKED -	REVISED

**STATE OF ILLINOIS  
DEPARTMENT OF TRANSPORTATION**

**PEORIA STREET STATION PLUMBING DETAILS**

SHEET NO. 77 OF 117 SHEETS

PRELIMINARY NOT FOR CONSTRUCTION

MUN	SECTION	COUNTY	TOTAL SHEETS	SHEET NO.
2090	2013-011R	COOK	356	268
CONTRACT NO.			60W29	
ILLINOIS FED. AID PROJECT				

8:54:05 PM 2/6/2013