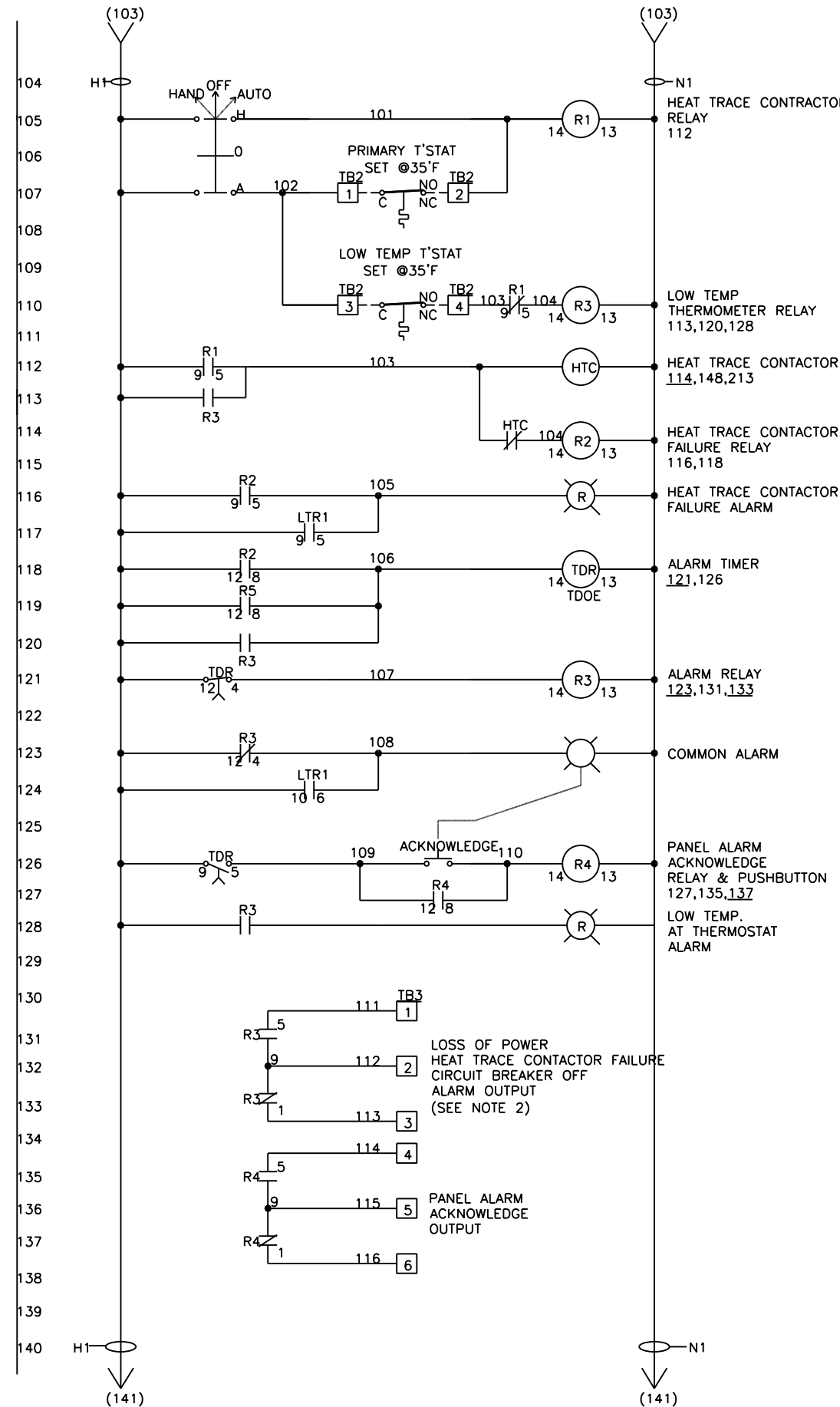
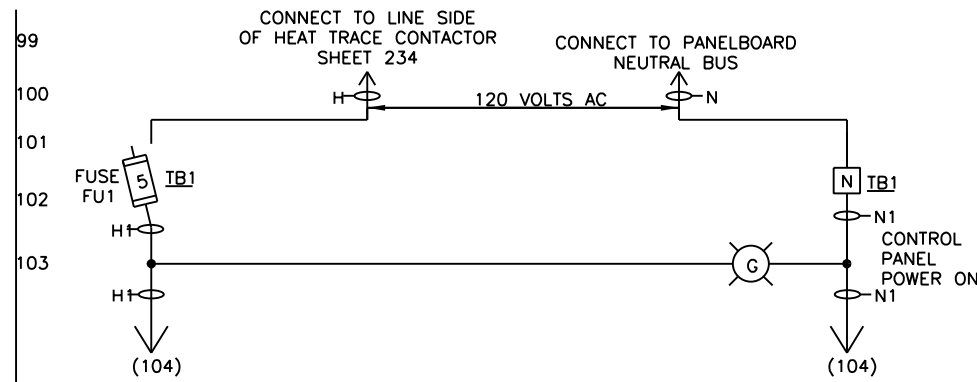


**NOTES:**

1. DASHED LINES INDICATE FIELD WIRING.
2. PANEL ALARM OUTPUT CONTACTS SHOWN IN ALARM MODE.  
NORMAL:  
ALARM: R3 ENERGIZED  
R3 DE-ENERGIZED



USER NAME = habib	DESIGNED -	REVISED
	CHECKED -	REVISED
PLOT SCALE = 0.2' in / in.	DRAWN -	REVISED
PLOT DATE = 10/28/2013	CHECKED -	REVISED

STATE OF ILLINOIS  
DEPARTMENT OF TRANSPORTATION

PEORIA STREET STATION  
ELECTRICAL CONTROL DIAGRAM HEAT TRACING PART 2

SHEET NO.94 OF 117 SHEETS

PRELIMINARY NOT FOR CONSTRUCTION

MUN	SECTION	COUNTY	TOTAL SHEETS	SHEET NO.
2090	2013-011R	COOK	356	285
CONTRACT NO.			60W29	

ILLINOIS FED. AID PROJECT

8/16/30 PM 285-60W29.dgn