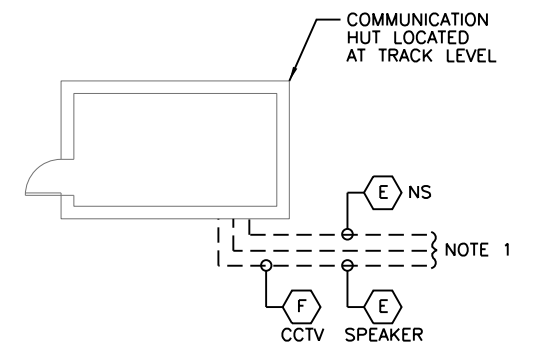
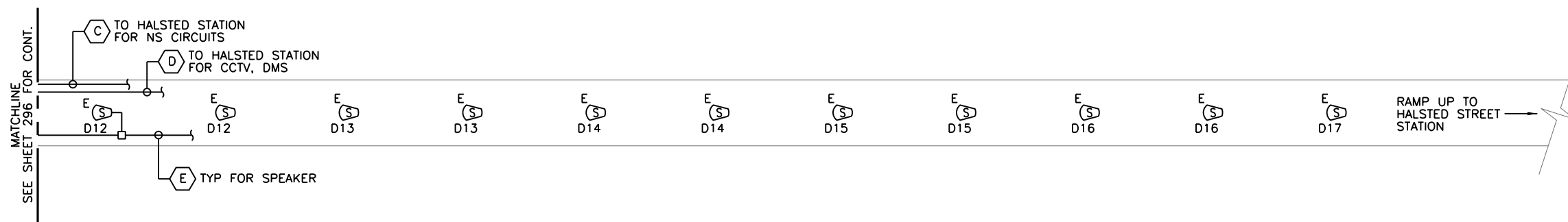


NOTES:

1. EXISTING POLYDUCTS FOR SPEAKER, NS, CCTV, AND DMS CIRCUITS TO HALSTED ST. STATION.
2. SEE SHEET 292 FOR CONDUIT LEGEND.



1 PLATFORM PLAN
SCALE: 1/8" = 1'-0"



USER NAME = Habib	DESIGNED -	REVISED
	CHECKED -	REVISED
PLOT SCALE = 16:0 "/ in.	DRAWN -	REVISED
PLOT DATE = 10/28/2013	CHECKED -	REVISED

**STATE OF ILLINOIS
DEPARTMENT OF TRANSPORTATION**

**PEORIA STREET STATION
COMMUNICATION PLATFORM LEVEL EAST EQUIPMENT PLAN**

SHEET NO. 106 OF 117 SHEETS

PRELIMINARY NOT FOR CONSTRUCTION

MUN	SECTION	COUNTY	TOTAL SHEETS	SHEET NO.
2090	2013-011R	COOK	356	297
CONTRACT NO.				
ILLINOIS FED. AID PROJECT				

9:06:53 PM 2/9/2014