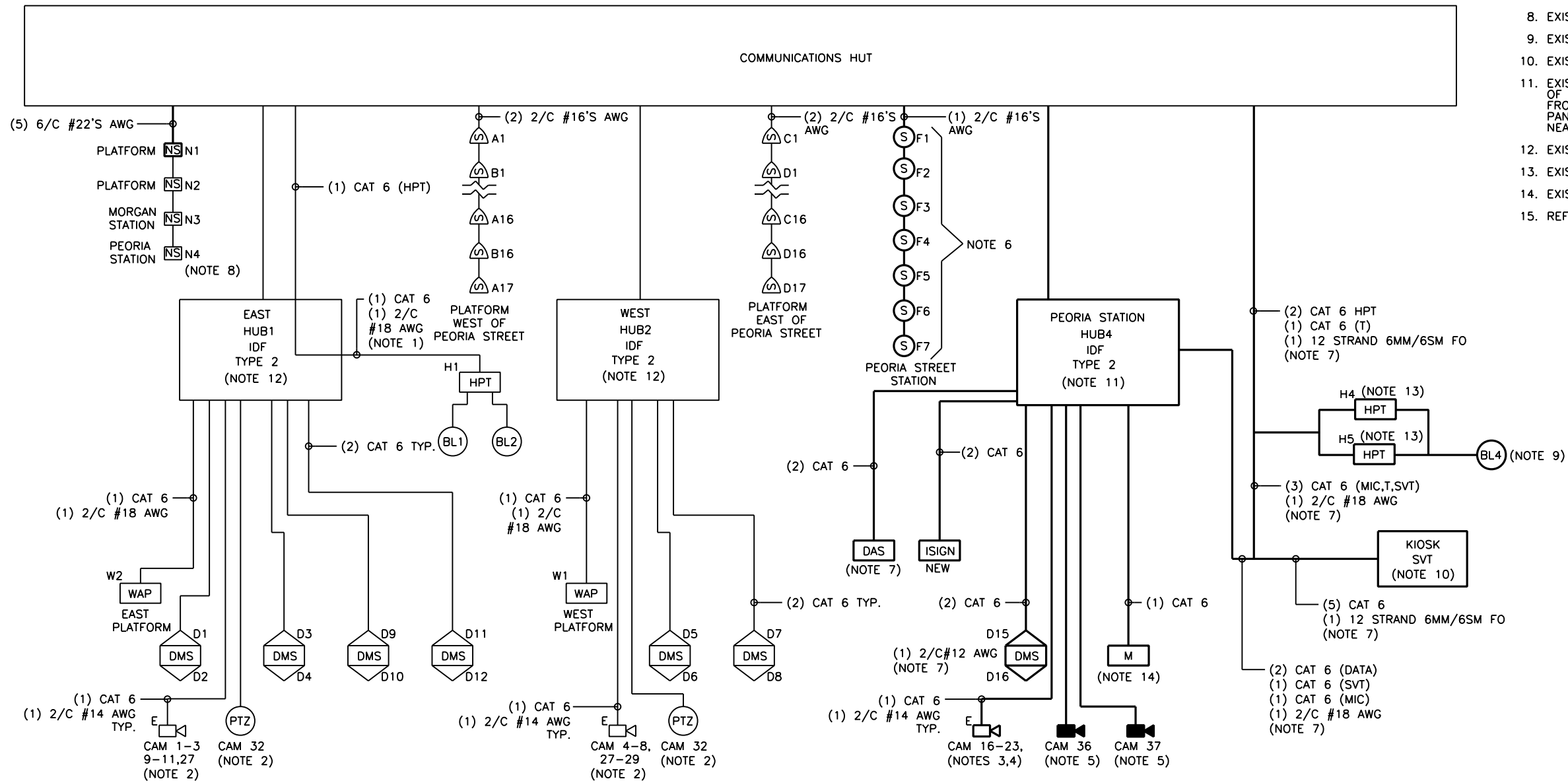


NOTES:

1. FOR TYPICAL HPT CABLING.
2. EXISTING CCTV CAMERAS LOCATED ON PLATFORM TO REMAIN.
3. EXISTING CCTV CAMERAS LOCATED IN PEORIA STREET STATION TO BE REPLACED.
4. TURN OVER EXISTING EQUIPMENT TO CTA.
5. NEW CCTV CAMERAS LOCATED IN PEORIA STREET STATION.
6. EXISTING SPEAKER TO BE REPLACED.
7. EXISTING DAS/DMS TO BE RELOCATED.
8. EXISTING NS TO BE RELOCATED IN STATION.
9. EXISTING BLUE LIGHT TO BE REPLACED.
10. EXISTING SVT TO BE RELOCATED TO NEW KIOSK LOCATION.
11. EXISTING HUB TO BE RELOCATED AFTER CONSTRUCTION OF NEW COMMUNICATION ROOM. INTERCEPT EXISTING CONDUIT FROM BELOW STATION LEVEL AND EXTEND TO NEW HUB PANEL LOCATED IN COMM ROOM. REPLACE WIRING FROM NEAREST DEVICE OR HUT TO NEWHUB.
12. EXISTING HUB TO REMAIN. PROTECT DURING CONSTRUCTION.
13. EXISTING TO BE REPLACED.
14. EXISTING MIC TO BE RELOCATED TO NEW KIOSK LOCATION.
15. REFER TO SHEET 306 FOR WIRING REQUIREMENTS.



1 EXISTING EQUIPMENT WIRING DIAGRAM
SCALE: NOT TO SCALE



USER NAME = habib	DESIGNED -	REVISED
PLOT SCALE = 2.00000 / in.	CHECKED -	REVISED
PLOT DATE = 10/28/2013	DRAWN -	REVISED
	CHECKED -	REVISED

**STATE OF ILLINOIS
DEPARTMENT OF TRANSPORTATION**

**PEORIA STREET STATION
COMMUNICATION EXISTING EQUIPMENT WIRING DIAGRAM**

SHEET NO. 109 OF 117 SHEETS

PRELIMINARY NOT FOR CONSTRUCTION

MUN	SECTION	COUNTY	TOTAL SHEETS	SHEET NO.
2090	2013-011R	COOK	356	300
CONTRACT NO.			60W29	

ILLINOIS FED. AID PROJECT

9:17:27 PM 300-60W29.dgn