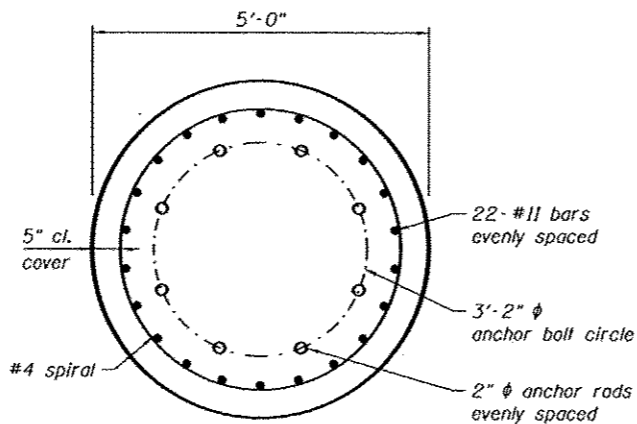
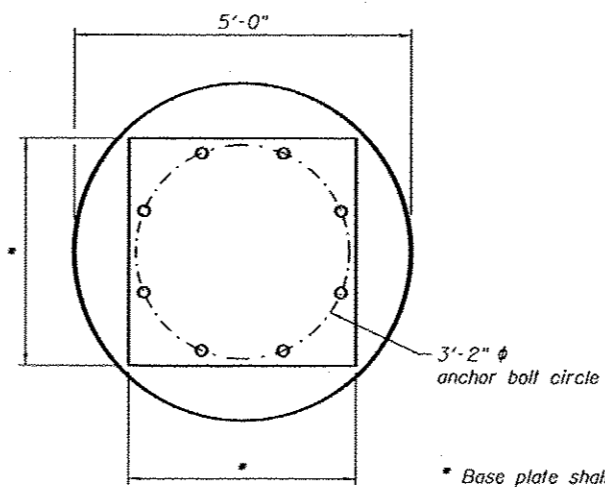


FOUNDATION ELEVATION



SECTION A-A



BASE PLATE LAYOUT

- NOTES:**
1. The shaft length(s) are based on nearest available soil borings. If different soils are encountered, the engineer shall be notified to provide a revised length.
 2. Anchor rod quantity, diameter and length shall be determined by the tower manufacturer and approved by the Engineer. Each foundation shall have a minimum of 8 anchor rods.
 3. All foundation reinforcement steel shall be epoxy coated.
 4. The cost of the foundation is incidental to the cost of the CCTV Tower.
 5. Steel anchor rod forms shall not be removed for a minimum of 3 days after concrete is poured. The tower shall not be set for a minimum of 7 days or as approved by the Engineer.
 6. The foundation shall be poured monolithically and shall have no construction joints.
 7. Grounding electrodes shall be installed in an access well when there is a conflict in using the method shown.
 8. Coordinate the rod circle diameter of the tower with the diameter of the anchor rod cage.



Amish T. Bhatt
 10/21/2013
 License Expires: 11/30/2014
 Sheet Range: 30 & 31

CCTV-60W49-S01-CCTV Tower Foundation.dgn



USER NAME = bhatta	DESIGNED - DEV	REVISIONS
PLOT SCALE = N.T.S.	CHECKED - ATB	REVISIONS
PLOT DATE = 10/18/2013	DRAWN - MRK	REVISIONS
	CHECKED - JML	REVISIONS

STATE OF ILLINOIS
 DEPARTMENT OF TRANSPORTATION

CCTV SYSTEM, I-90/94 TO CONGRESS PARKWAY
 TOWER FOUNDATION PLANS 1 OF 2

F.A.P. RTE.	SECTION	COUNTY	TOTAL SHEETS	SHEET NO.
389	2013-026-1	COOK	37	30
CONTRACT NO. 60W49				
ILLINOIS FED. AID PROJECT				

SHEET NO. S-1 OF S-2 SHEETS