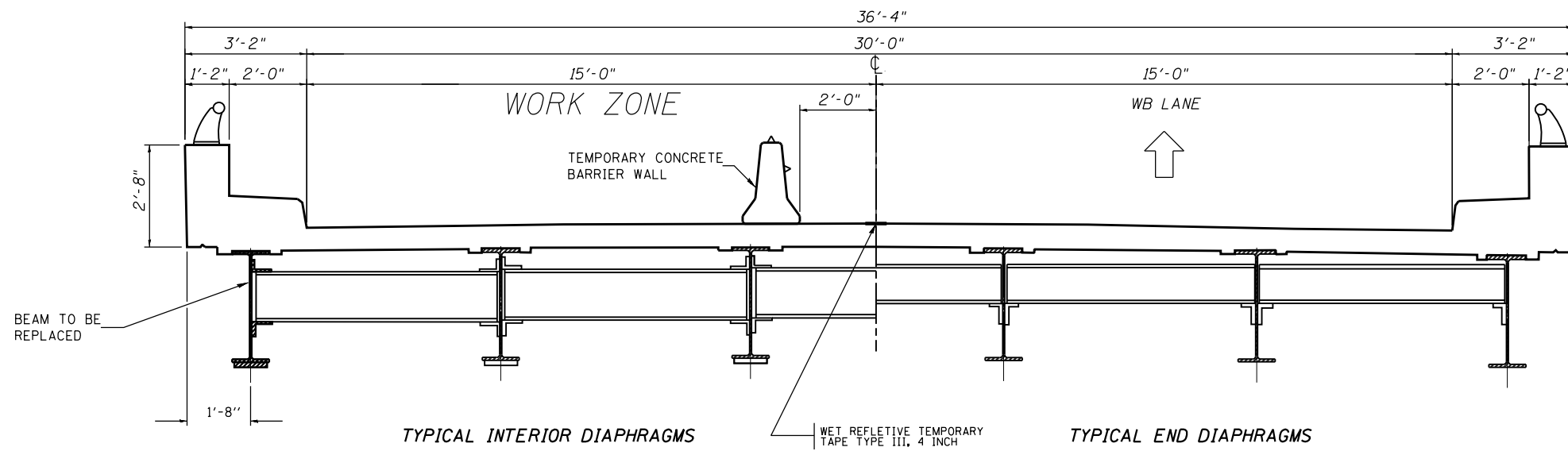


TYPICAL INTERIOR DIAPHRAGMS

TYPICAL END DIAPHRAGMS

EXISTING  
CROSS SECTION



TYPICAL INTERIOR DIAPHRAGMS

TYPICAL END DIAPHRAGMS

STAGING

FILE NAME =	USER NAME = SEYMORECP	DESIGNED -	REVISED -
et:\pw\work\pwidot\seymorecp\d0361489\DI	0613-sht-typical.dgn	DRAWN -	REVISED -
Default	PLOT SCALE = 100.0000' / in.	CHECKED -	REVISED -
	PLOT DATE = 11/14/2013	DATE -	REVISED -

**STATE OF ILLINOIS**  
**DEPARTMENT OF TRANSPORTATION**

**IL 171 (ARCHER RD) OVER US 45 (LA GRANGE RD) SN 016-0209**  
**TRAFFIC CONTROL STAGING**

SCALE: SHEET 1 OF 3 SHEETS STA. TO STA.

F.A. RTE.	SECTION	COUNTY	TOTAL SHEETS	SHEET NO.
VAR.	2013-044BR	COOK & DUPAGE	35	15
CONTRACT NO. 60W94			ILLINOIS FED. AID PROJECT	