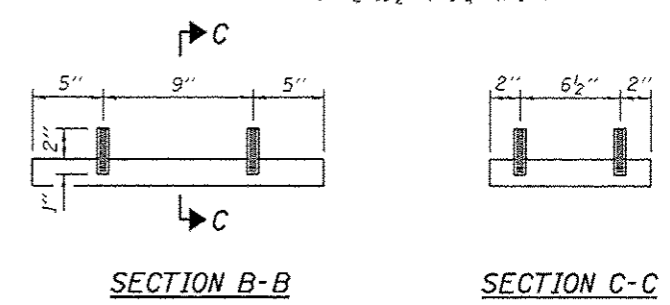


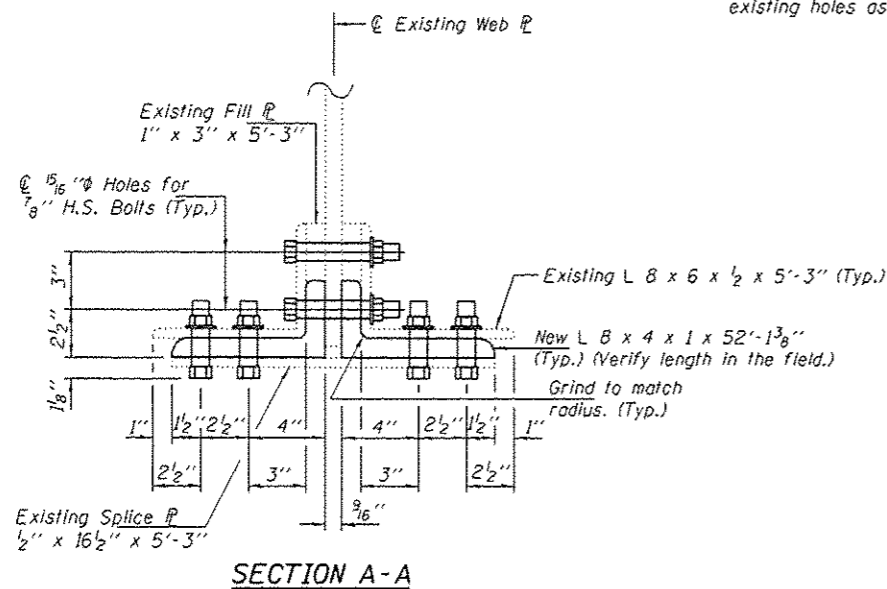
PARTIAL ELEVATION GIRDER 1
(Looking South)



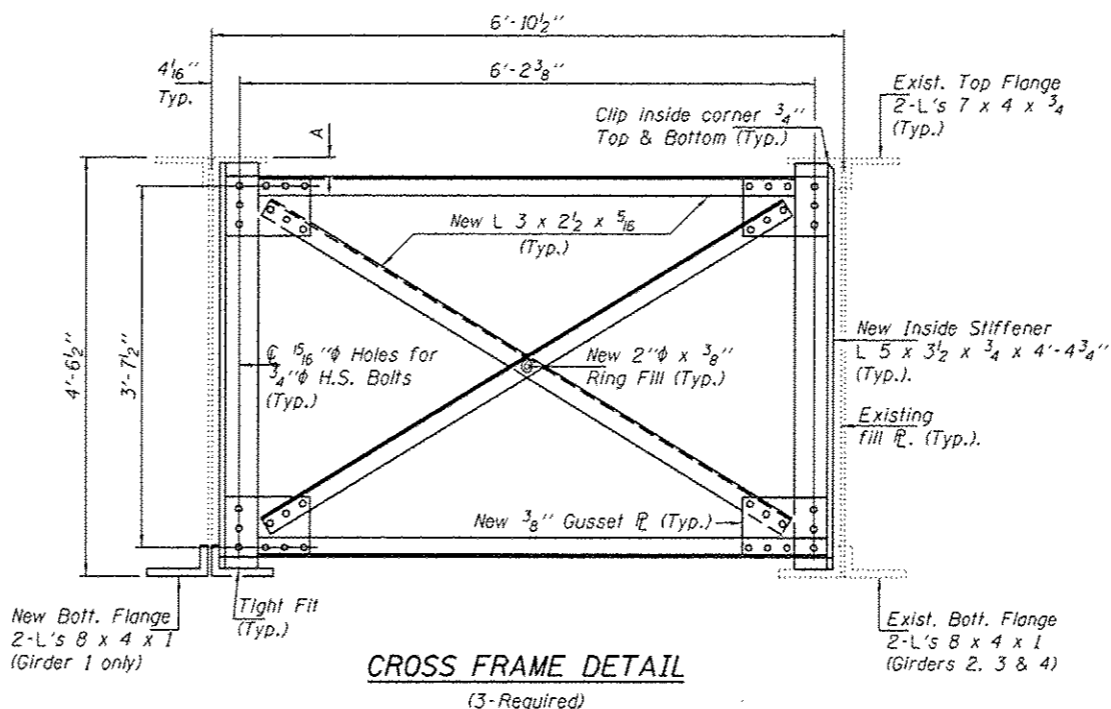
DIMENSION A

Girder	Dim. A
#1	2 1/2"
#2	2 1/2"
#3	1 1/2"

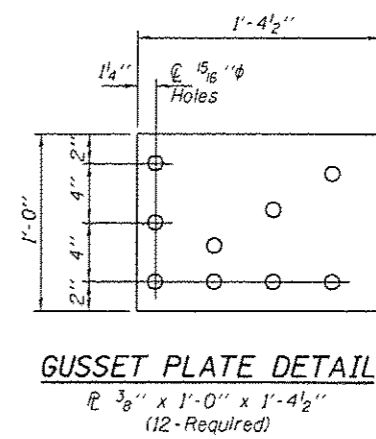
* Field Drill holes using existing holes as template.



SECTION A-A



CROSS FRAME DETAIL
(3-Required)



GUSSET PLATE DETAIL
P 3/8" x 1'-0" x 1'-4 1/2"
(12-Required)

Note:
Length of New L's, size and location of holes shall be determined or verified from existing L's.
Existing Stiffener Fill P's to be salvaged.

DESIGNED - DAB	EXAMINED - <i>Timothy A. Ball</i>
CHECKED - SMR	PASSED - <i>Carl Perry</i>
DRAWN - Kyle M. Steffen	
CHECKED - DAB SMR	

DATE - NOVEMBER 15, 2013
ACTING ENGINEER OF STRUCTURAL SERVICES
ACTING ENGINEER OF BRIDGES AND STRUCTURES

DATE - NOVEMBER 15, 2013

STATE OF ILLINOIS
DEPARTMENT OF TRANSPORTATION

REPAIR DETAILS
SN 016-2050

SHEET NO. 3 OF 4 SHEETS

F.A. RTE.	SECTION	COUNTY	TOTAL SHEETS	SHEET NO.
VAR	2013-044BR	COOK	35	20
CONTRACT NO. 60W94				

ILLINOIS FED. AID PROJECT