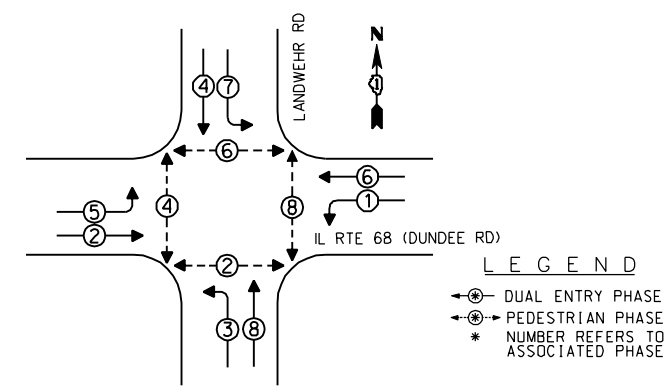
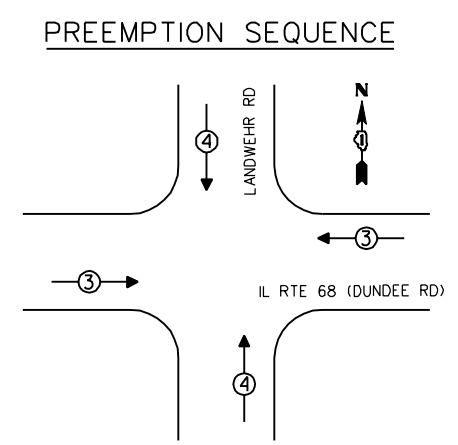


EXISTING CONTROLLER SEQUENCE



EXISTING PHASE DESIGNATION DIAGRAM

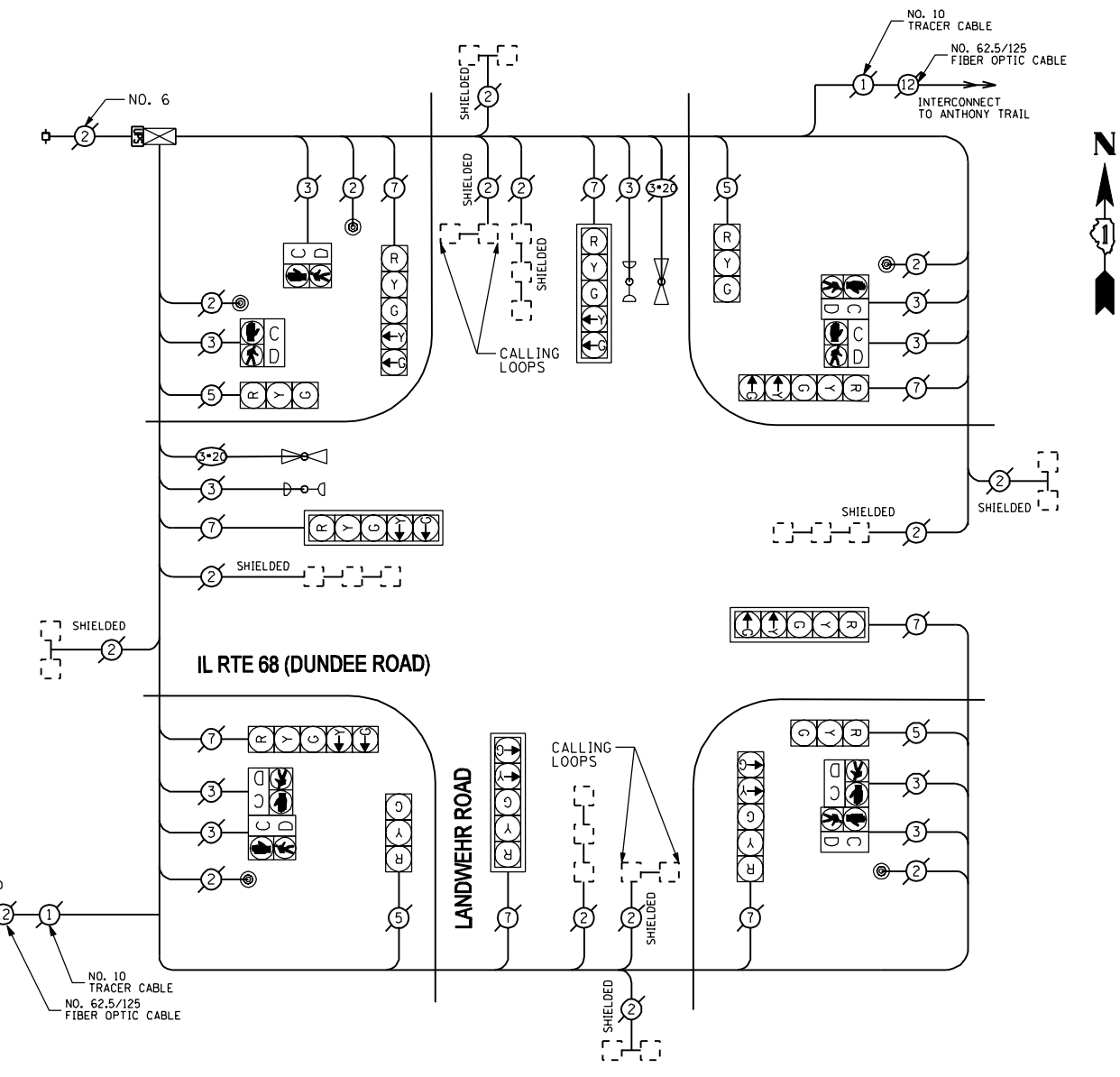
EXISTING EMERGENCY VEHICLE PREEMPTION SEQUENCE



EMERGENCY VEHICLE PREEMPTORS			
EMERGENCY VEHICLE PREEMPTOR	3	4	
MOVEMENT	↔	↕	

SCHEDULE OF QUANTITIES

QUANTITY	UNIT	ITEM
1	EACH	MAINTENANCE OF EXISTING TRAFFIC SIGNAL INSTALLATION
1	EACH	MODIFY EXISTING CONTROLLER CABINET
1	EACH	UNINTERRUPTIBLE POWER SUPPLY, SPECIAL



CABLE PLAN

THE TRAFFIC SIGNAL CONTROL EQUIPMENT FOR THIS SIGNAL SHALL BE "ECONOLITE" TO MATCH THE EXISTING ADJACENT SYSTEM.

FILE NAME : F:\2012\ME12014_PTB162_18_Schwertz\CADD\W06_North_Cook_LED_Shts\60X15-sht-TS-DundeeRd.LandwehrRd.dgn
 USER : JNP
 DATE : 10/11/2013

I.D.O.T. TRAFFIC SIGNAL INSTALLATION ELECTRICAL SERVICE REQUIREMENTS					
TYPE	NO. OF LAMPS	INCAND	LED % OPERATIONS	TOTAL WATTAGE	
SIGNAL (RED)	12		17	0.50	102.00
(YELLOW)	12		25	0.25	75.00
(GREEN)	12		15	0.25	45.00
ARROW	16		12	0.10	19.20
PED. SIGNAL	8		25	1.00	200.00
CONTROLLER	1		100	1.00	100.00
ENERGY COSTS TO:				TOTAL =	541.20

VILLAGE OF NORTHBROOK
1225 CEDAR LANE
NORTHBROOK, IL 60062

ENERGY SUPPLY - CONTACT: TERRIBLECK
PHONE: (847) 816-5239
COMPANY: COMED

2600 Warrenville Road, Suite 203, Downers Grove, IL 60515-1761
630.705.0110 voice, 630.839.3566 fax
www.mps-il.com

MILLENNIA PROFESSIONAL SERVICES

DESIGNED - JNP	REVISED -
DRAWN - JNP	REVISED -
CHECKED - TVN	REVISED -
DATE - 10/11/2013	REVISED -

STATE OF ILLINOIS
DEPARTMENT OF TRANSPORTATION

SCHEDULE OF QUANTITIES, CABLE PLAN, PHASE DESIGNATION DIAGRAM,
AND EMERGENCY VEHICLE PREEMPTION SEQUENCE
IL RTE 68 (DUNDEE ROAD) AT LANDWEHR ROAD

SCALE: N/A	SHEET OF SHEETS	STA. TO STA.
------------	-----------------	--------------

F.A.P. RTE.	SECTION	COUNTY	TOTAL SHEETS	SHEET NO.
VAR	D-91-020-14	COOK	99	70
CONTRACT NO. 60X15				

FED. ROAD DIST. NO. 1 | ILLINOIS FED. AID PROJECT