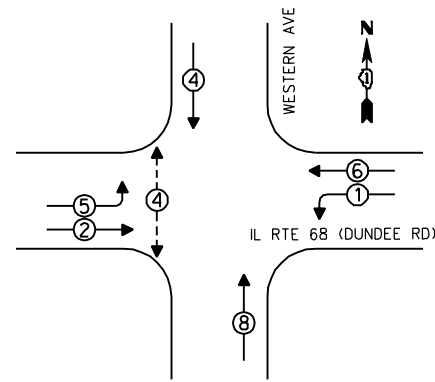


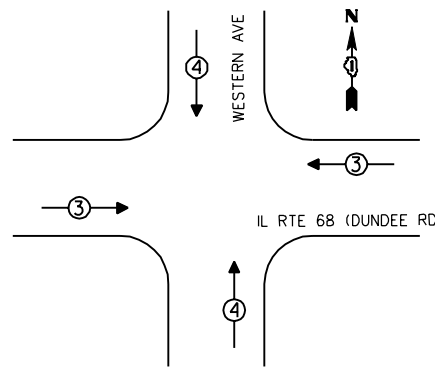
EXISTING CONTROLLER SEQUENCE



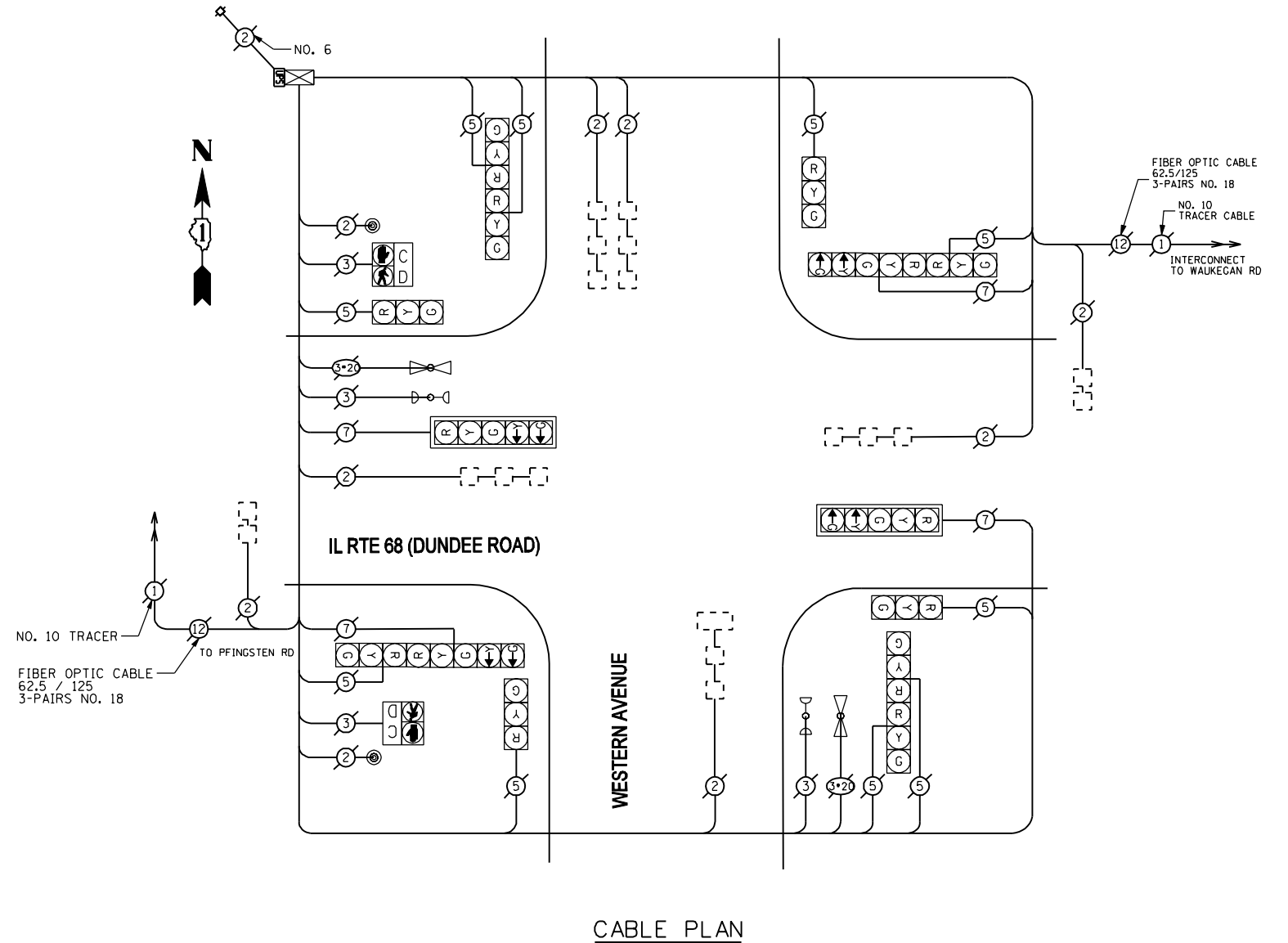
LEGEND
 ⊕ DUAL ENTRY PHASE
 ⊕ PEDESTRIAN PHASE
 * NUMBER REFERS TO ASSOCIATED PHASE

EXISTING PHASE DESIGNATION DIAGRAM

EXISTING EMERGENCY VEHICLE PREEMPTION SEQUENCE



EMERGENCY VEHICLE PREEMPTORS		
EMERGENCY VEHICLE PREEMPTOR	3	4
MOVEMENT	↔	↕



CABLE PLAN

SCHEDULE OF QUANTITIES

QUANTITY	UNIT	ITEM
1	EACH	MAINTENANCE OF EXISTING TRAFFIC SIGNAL INSTALLATION
1	EACH	MODIFY EXISTING CONTROLLER CABINET
1	EACH	UNINTERRUPTIBLE POWER SUPPLY, SPECIAL

THE TRAFFIC SIGNAL CONTROL EQUIPMENT FOR THIS SIGNAL SHALL BE "ECONOLITE" TO MATCH THE EXISTING ADJACENT SYSTEM.

I.D.O.T. TRAFFIC SIGNAL INSTALLATION ELECTRICAL SERVICE REQUIREMENTS					TOTAL WATTAGE
TYPE	NO. OF LAMPS	INCAND	LED % OPERATIONS	WATTAGE	
SIGNAL (RED)	14		17	0.50	119.00
(YELLOW)	14		25	0.25	87.50
(GREEN)	14		15	0.25	52.50
ARROW	8		12	0.10	9.60
PED. SIGNAL	2		25	1.00	50.00
CONTROLLER	1		100	1.00	100.00
ENERGY COSTS TO:					TOTAL = 418.60
VILLAGE OF NORTHBROOK 1225 CEDAR LANE NORTHBROOK, IL 60062					
ENERGY SUPPLY - CONTACT: TERRIBLECK PHONE: (847) 816-5239 COMPANY: COMED					

FILE NAME : P:\2012\ME12014_PFTB162_1B_Schwarz\CADD\W06_North_Cook_LED_Shts\60X15-sht-TS-DundeeRd_WesternAve.dgn
 USER : M111111111
 DATE : 10/11/2013

MILLENNIA PROFESSIONAL SERVICES
 2600 Warrenville Road, Suite 203, Downers Grove, IL 60515-1761
 630.705.0110 voice, 630.839.3566 fax
 www.mps-ill.com

DESIGNED - JNP	REVISED -
DRAWN - JNP	REVISED -
CHECKED - TVN	REVISED -
DATE - 10/11/2013	REVISED -

**STATE OF ILLINOIS
 DEPARTMENT OF TRANSPORTATION**

**SCHEDULE OF QUANTITIES, CABLE PLAN, PHASE DESIGNATION DIAGRAM,
 AND EMERGENCY VEHICLE PREEMPTION SEQUENCE
 IL RTE 68 (DUNDEE ROAD) AT WESTERN AVENUE**

SCALE: ·N/A SHEET OF SHEETS STA. · TO STA.

F.A.P. RTE.	SECTION	COUNTY	TOTAL SHEETS	SHEET NO.
VAR	D-91-020-14	COOK	99	73
CONTRACT NO. 60X15				