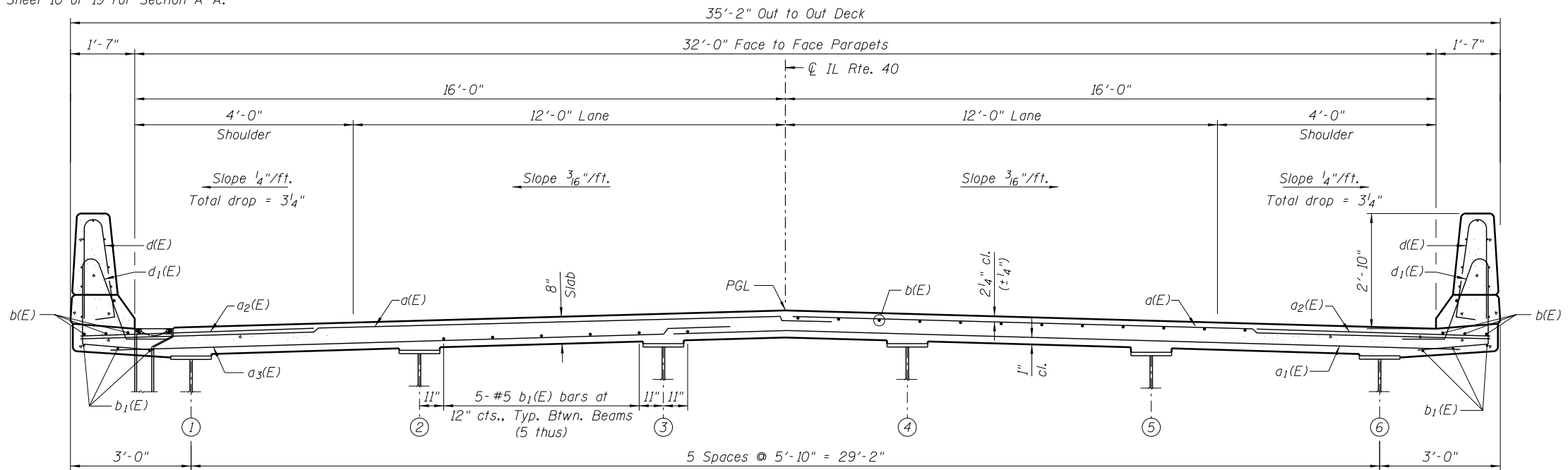


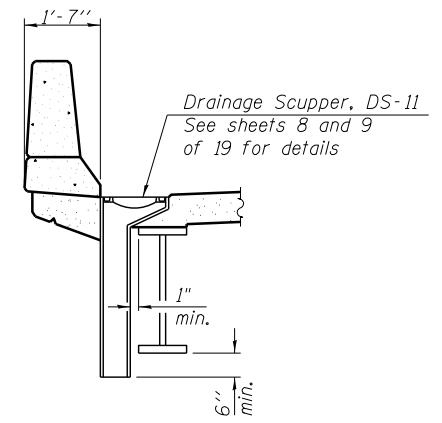
PLAN

Notes:  
 See Sheet 8 of 19 for superstructure details and Bill of Material.  
 Bars indicated thus 32 x 4- #5 etc. indicates 32 lines of bars with 4 lengths per line.  
 See Sheet 8 of 19 for parapet reinforcement.  
 See Sheet 9 of 19 for drainage scupper details.  
 See Sheet 10 of 19 for Section A-A.

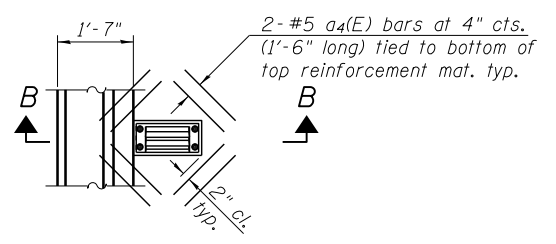
**MIN. BAR LAP**  
 #5 Bar = 3'-3"



CROSS SECTION  
 (Looking West)



SECTION B-B



SCUPPER PLAN

Note:  
 Cut longitudinal reinforcement to clear drainage scuppers.

FILE NAME = ...64DB4-SN0080051-007-Superstructure.dgn



USER NAME = SAW	DESIGNED - PMM	REVISED -
PLOT SCALE = 0:2.0000 't' / in.	CHECKED - DAZ	REVISED -
PLOT DATE = 8/1/2013	DRAWN - SAW	REVISED -
	CHECKED - PMM	REVISED -

STATE OF ILLINOIS  
 DEPARTMENT OF TRANSPORTATION

SUPERSTRUCTURE PLAN  
 S.N. 008-0051

SHEET NO. 7 OF 19 SHEETS

F.A.P. RTE.	SECTION	COUNTY	TOTAL SHEETS	SHEET NO.
646	5BR-3	CARROLL	84	30
CONTRACT NO. 64DB4				

ILLINOIS FED. AID PROJECT