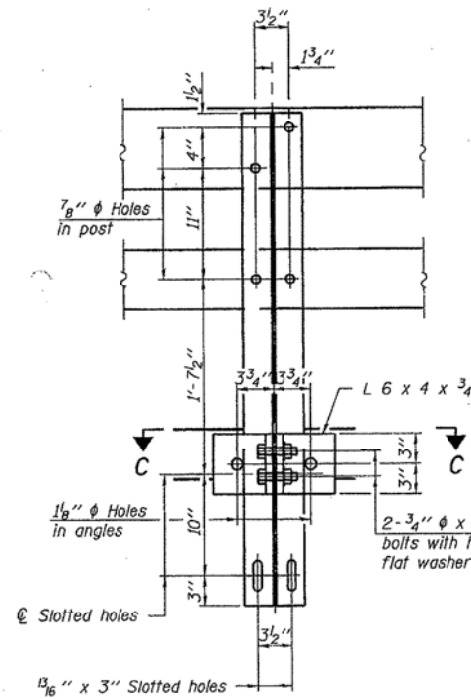
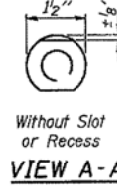
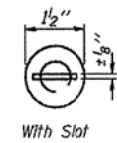
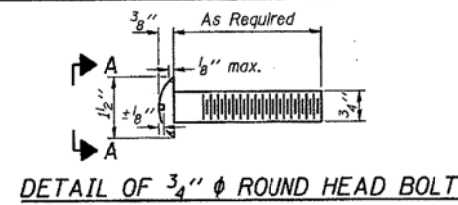
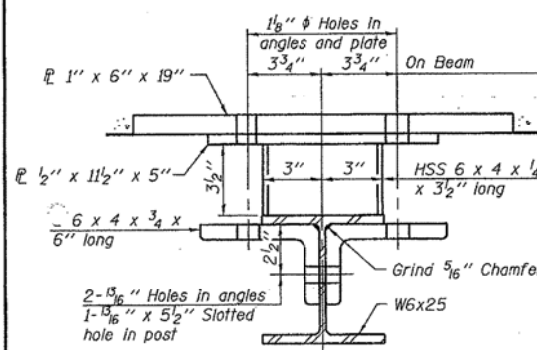


STATE OF ILLINOIS
DEPARTMENT OF TRANSPORTATION

ROUTE NO.	SECTION	COUNTY	SHEET NO.	SHEET NO. 7
FAP 646		CARROLL	18	8 SHEETS
FED. ROAD DIST. NO. 7	BLANKET	FED. AID PROJECT		

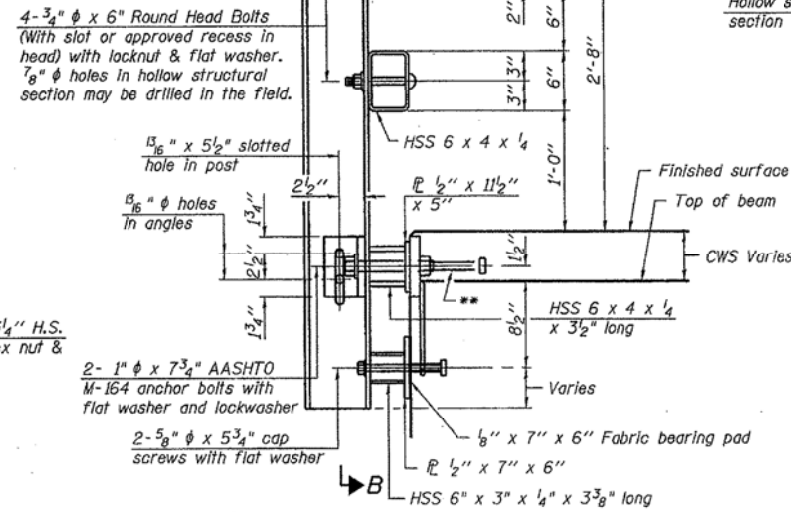


SECTION B-B

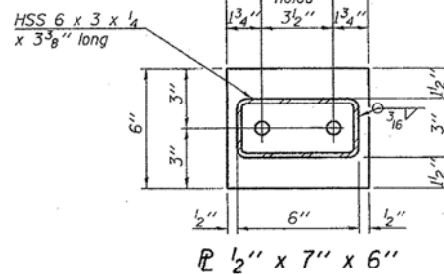
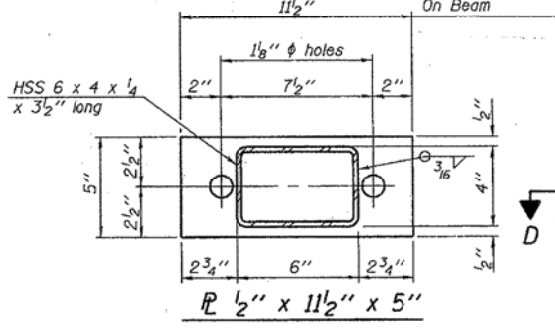


SECTION C-C

DESIGNED	DFM
CHECKED	CH
DRAWN	MV
CHECKED	DFM

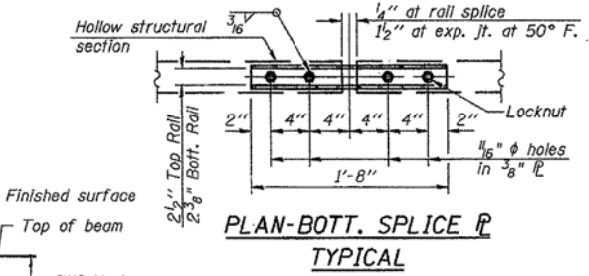


SECTION AT RAIL POST ON BEAM

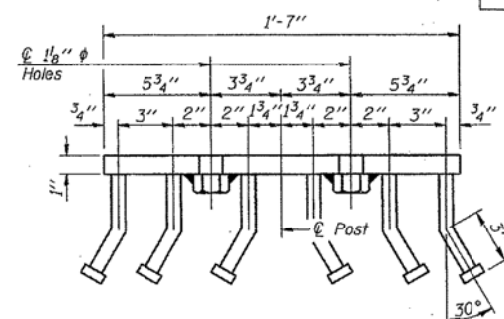


(6'-3" Maximum Post Spacing) (5" minimum to 7 1/2" maximum CWS thickness)

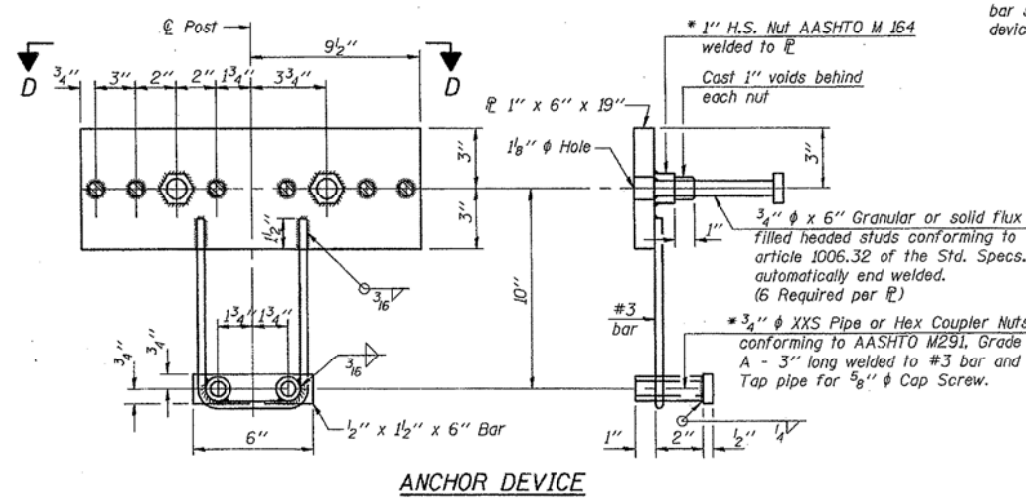
RAIL SPLICE CONNECTION AT EXPANSION JT.



PLAN-BOTT. SPLICE R TYPICAL

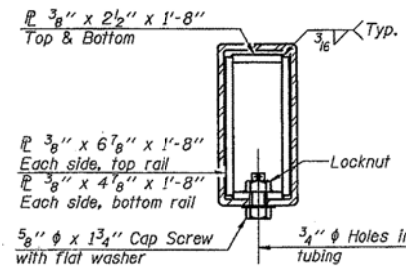


VIEW D-D

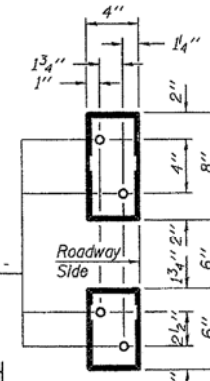


ANCHOR DEVICE

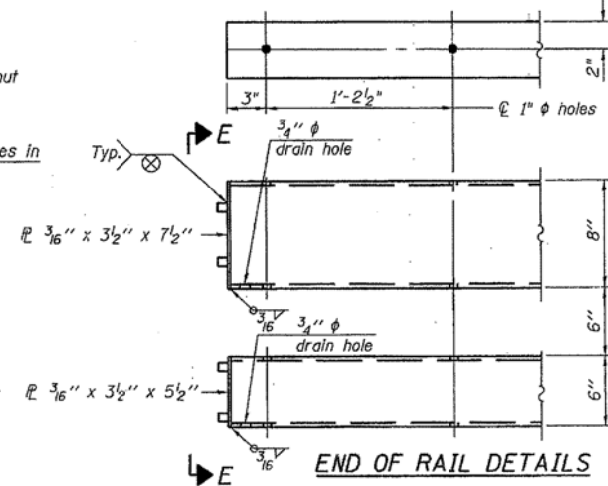
* Threaded areas shall be plugged or blocked off during casting of beam. Galvanized after fabrication.



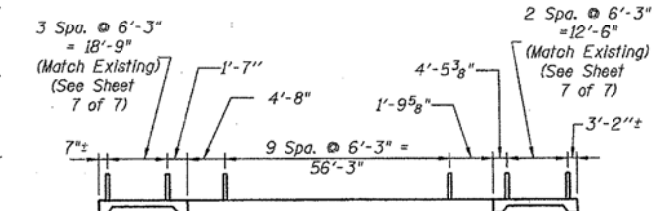
SECTION AT RAIL SPLICE



VIEW E-E



END OF RAIL DETAILS



RAIL SPACING

Notes:
All field drilled holes shall be coated with an approved zinc rich paint before erection.
For multi-span bridges, sufficient 1/4" x 6" x 1'-2" galvanized steel shims shall be provided to align rail between adjacent spans. Cost included with Steel Bridge Rail, Type SM.
Steel rail elements shall be galvanized according to Article 509.05 of the Standard Specifications.
Anchor devices in existing approach slabs should be reused for attachment of Type SM Steel Bridge Railing.
** The studs of the anchor devices shall be placed below the top reinforcement bars and the outermost longitudinal reinforcement bar shall be placed directly above the studs of the rail post anchor device.

BILL OF MATERIAL

Item	Unit	Quantity
Steel Railing, Type SM	Foot	210

STEEL RAILING, TYPE SM
WITH CONCRETE WEARING SURFACE
F.A.P. 646 (IL RTE 40)
CARROLL COUNTY
STRUCTURE NO. 008-0014
SHEET 18 OF 52

FILE NAME = ... \0264084-SHT-ExBr-ridge.dgn

USER NAME = SAW	DESIGNED - RAC	REVISED -
PLOT SCALE = 40.0000' / in.	DRAWN - SAW	REVISED -
PLOT DATE = 8/1/2013	CHECKED - DAZ	REVISED -
	DATE - 08-08-13	REVISED -

STATE OF ILLINOIS
DEPARTMENT OF TRANSPORTATION



Zroka Engineering, P.C.
4216 North Hermitage
Chicago, IL 60613

EXISTING BRIDGE PLANS
FOR INFORMATION ONLY

SCALE: SHEET 4 OF 28 SHEETS STA. TO STA.

F.A.P. RTE. 646	SECTION 5 BR-3	COUNTY CARROLL	TOTAL SHEETS 84	SHEET NO. 46
			CONTRACT NO. 64DB4	
ILLINOIS FED. AID PROJECT				