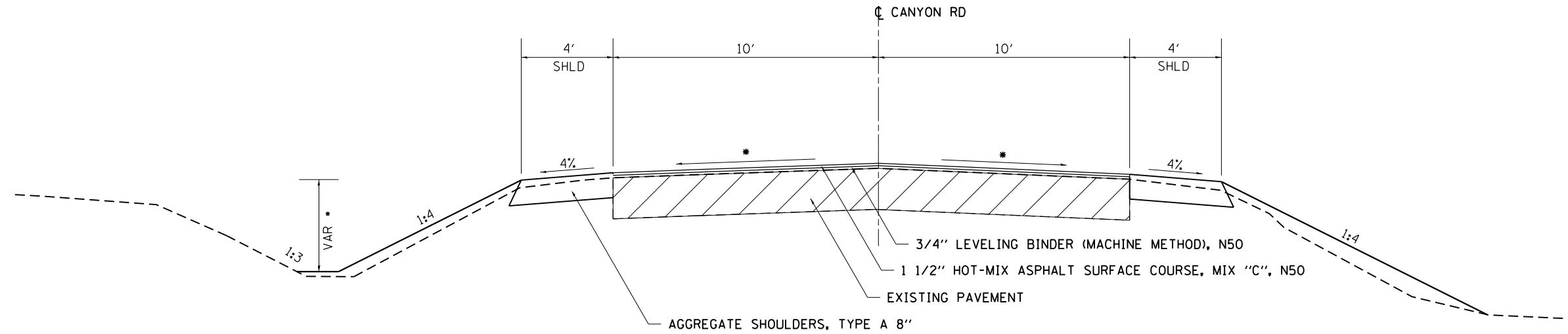


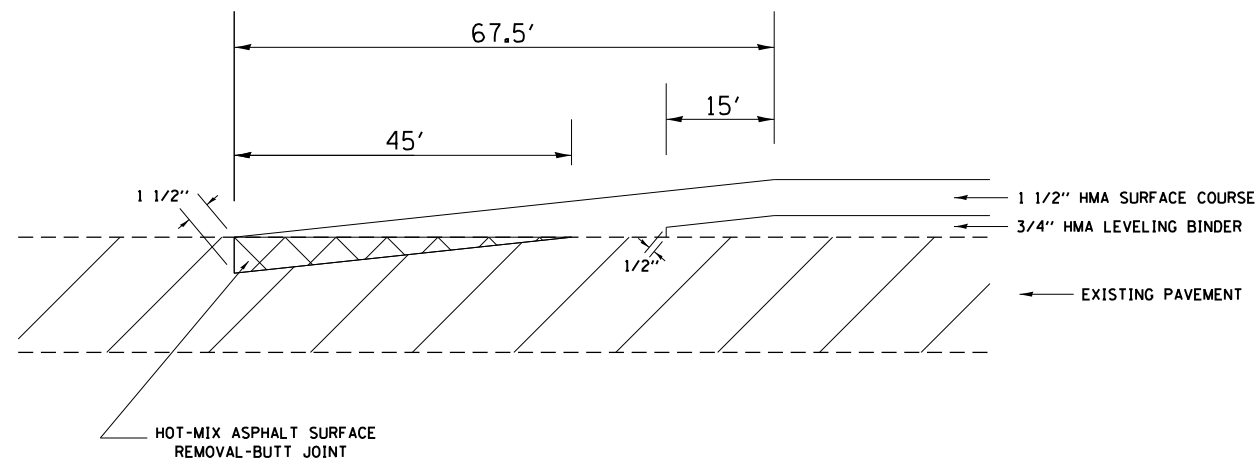
TYPICAL SECTIONS

CANYON RD

PROPOSED TYPICAL
 STA 103+92 TO STA 108+58
 STA 118+92 TO STA 120+10



BUTT JOINT
 IL 78
 STA 907+25 TO 907+92
 STA 915+58 TO 916+25
 STA 1093+33 TO STA 1094+00
 STA 1098+50 TO STA 1099+18
 CANYAON RD
 STA 103+25 TO STA 103+92
 STA 108+58 TO STA 109+25
 STA 118+25 TO STA 118+92
 STA 120+10 TO STA 120+77



* - MATCH EXISTING,
 MINIMUM 1/8" / FT

FILE NAME =	USER NAME = rundbladerr	DESIGNED -	REVISED - 7-30-13	STATE OF ILLINOIS DEPARTMENT OF TRANSPORTATION	TYPICAL SECTIONS CANYON ROAD			F.A.P. RTE.	SECTION	COUNTY	TOTAL SHEETS	SHEET NO.
et:\pw\work\p\dot\rundbladerr\d0232736	0201310-sh-typical.dgn	DRAWN -	REVISED -		650	104T-3	JO DAVIESS	97	14			
	PLOT SCALE = 100.0000' / in.	CHECKED -	REVISED -		CONTRACT NO. 64F74							
	PLOT DATE = Thu Oct 10 06:57:27 2013	DATE -	REVISED -		SCALE:	SHEET NO.	OF SHEETS	STA.	TO STA.	ILLINOIS FED. AID PROJECT		