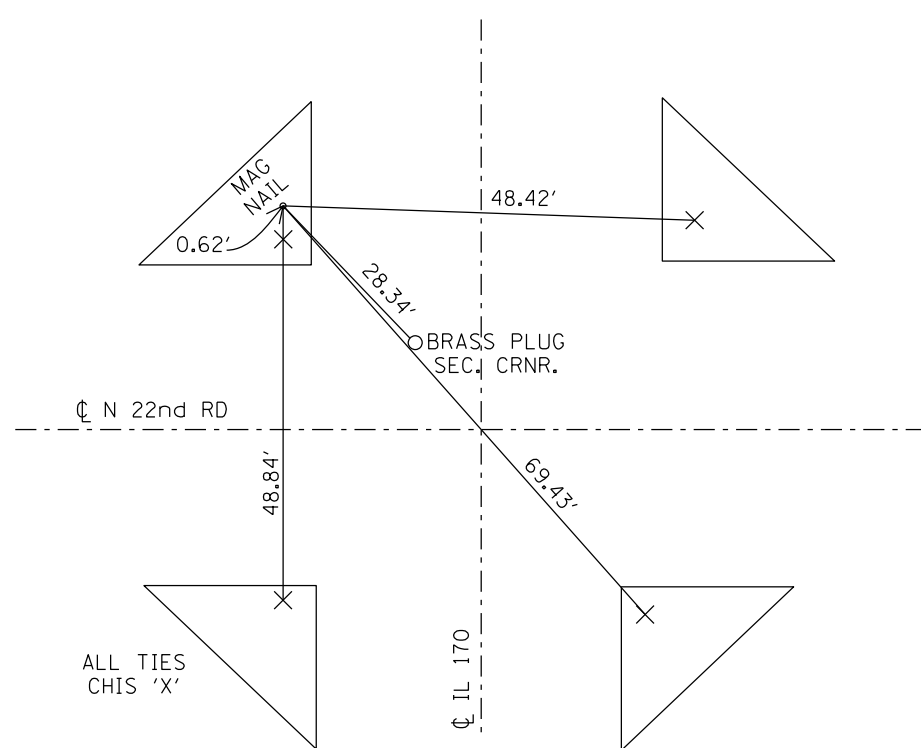
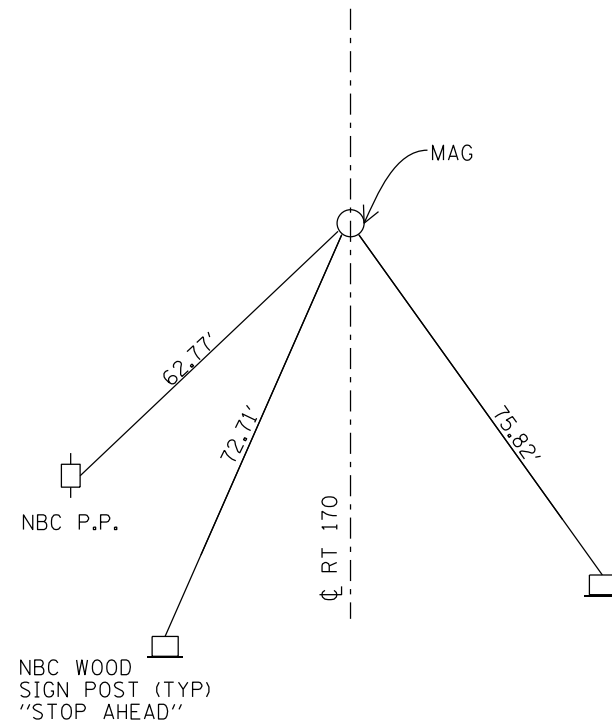


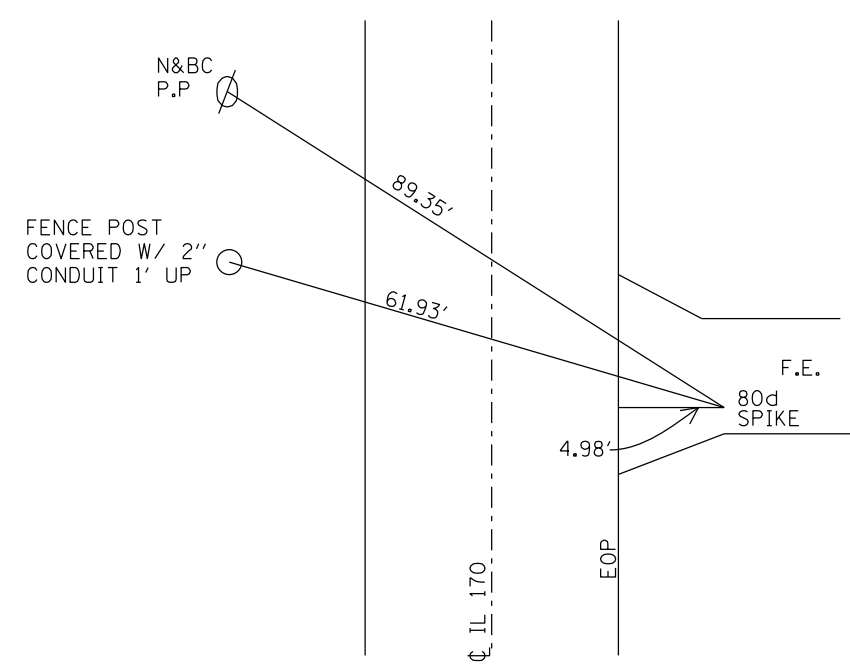
PNT 170500
 STA 304+34.86, 17.90' RT



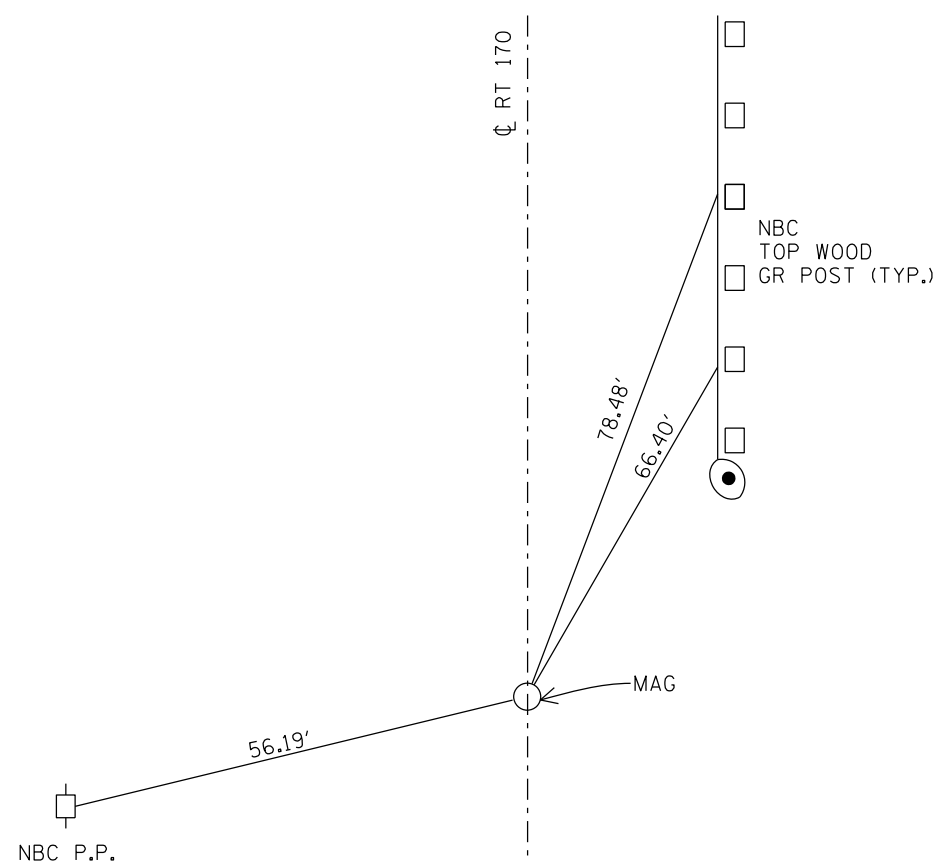
POT 311+00.00



PNT 170501
 STA. 318+09.01 16.43' LT.



POT 317+ 00.00



FILE NAME =	USER NAME = \$USER\$	DESIGNED -	REVISED -	STATE OF ILLINOIS DEPARTMENT OF TRANSPORTATION	TIE POINTS - EXIST. SN 050-0143		F.A.P. RTE.	SECTION	COUNTY	TOTAL SHEETS	SHEET NO.
FILEL		DRAWN -	REVISED -				786	110BR-1.2.3	LASALLE	69	15
Default	PLOT SCALE = \$SCALE\$	CHECKED -	REVISED -		SCALE: _____ SHEET _____ OF _____ SHEETS STA. _____ TO STA. _____		CONTRACT NO. 66819				
	PLOT DATE = \$DATE\$	DATE -	REVISED -		ILLINOIS FED. AID PROJECT						