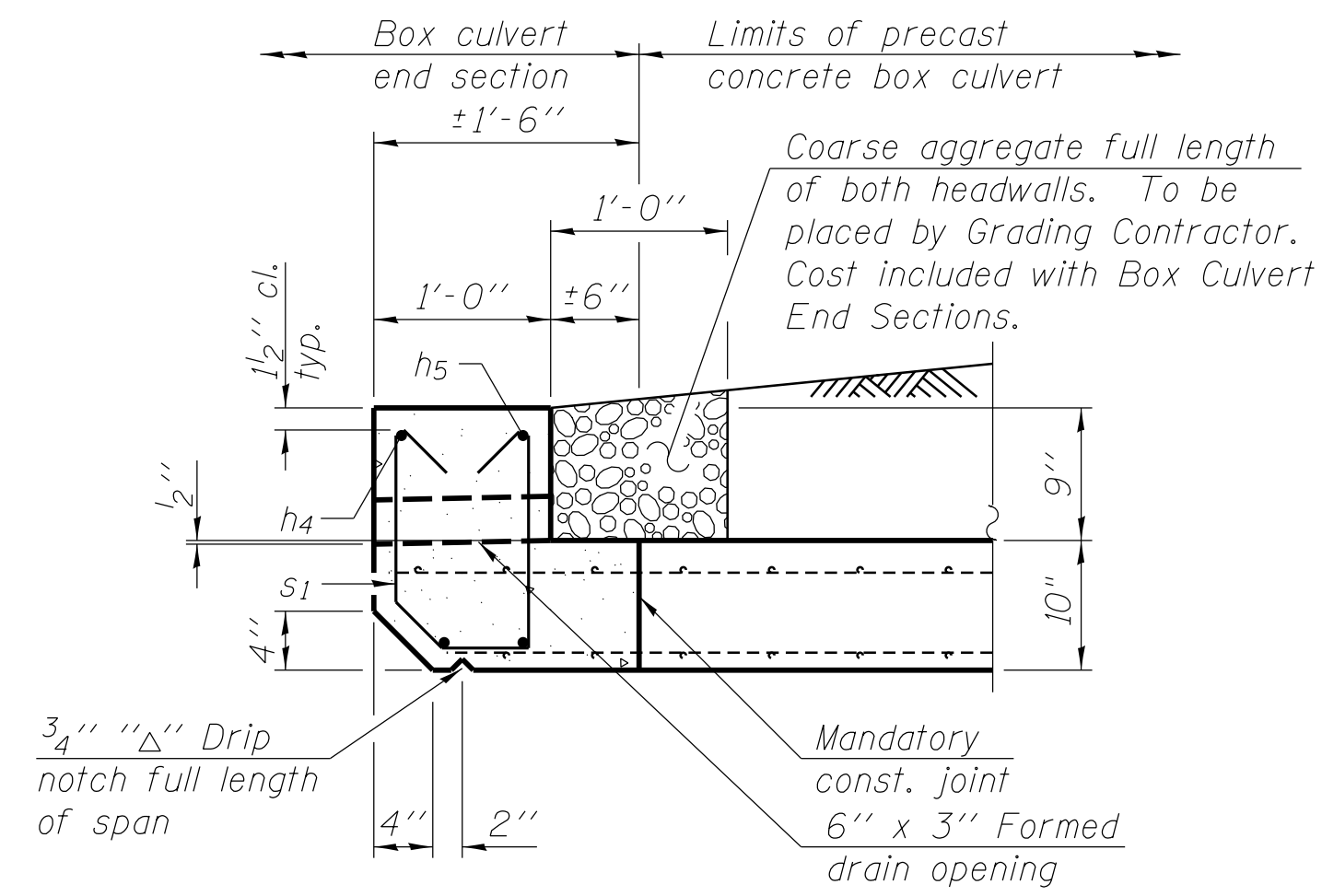
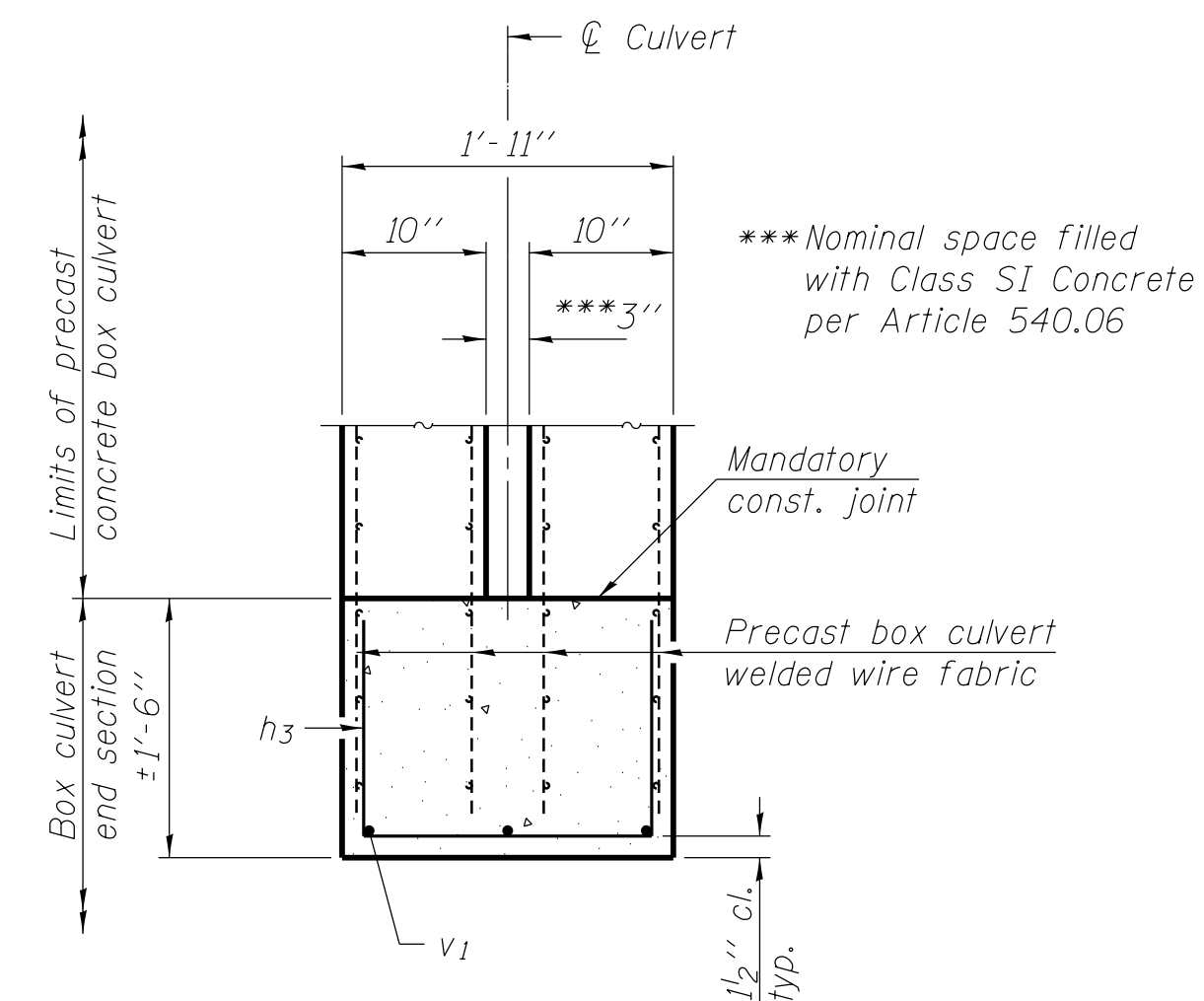


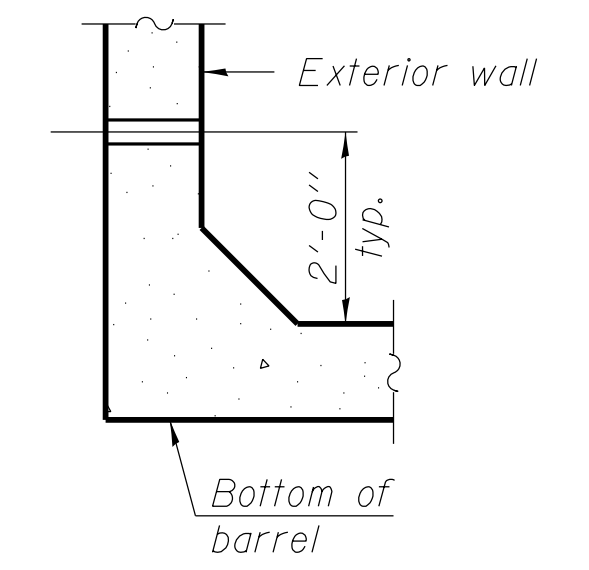
SECTION B-B
(Downstream Section)



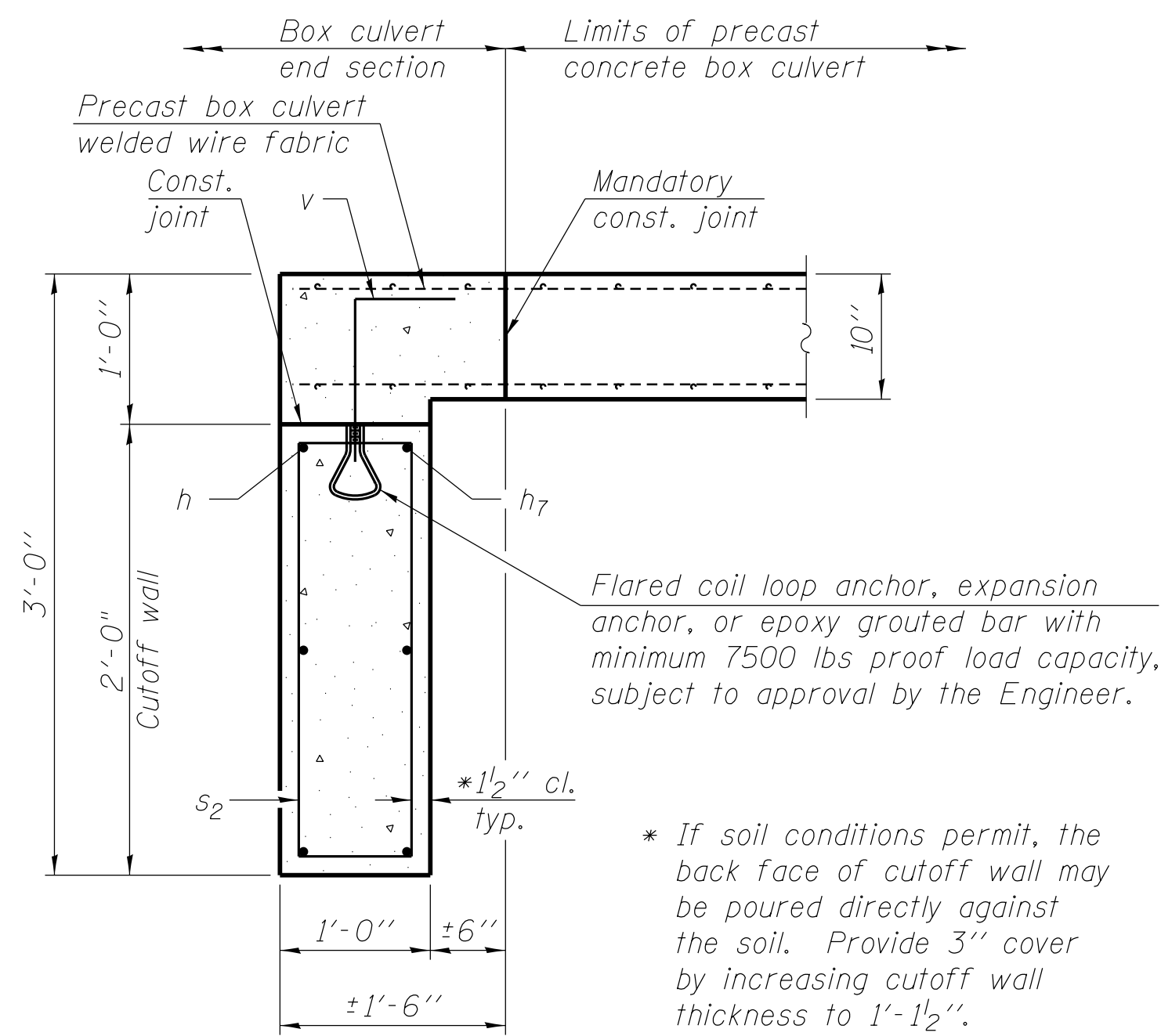
SECTION B-B
(Upstream Section)



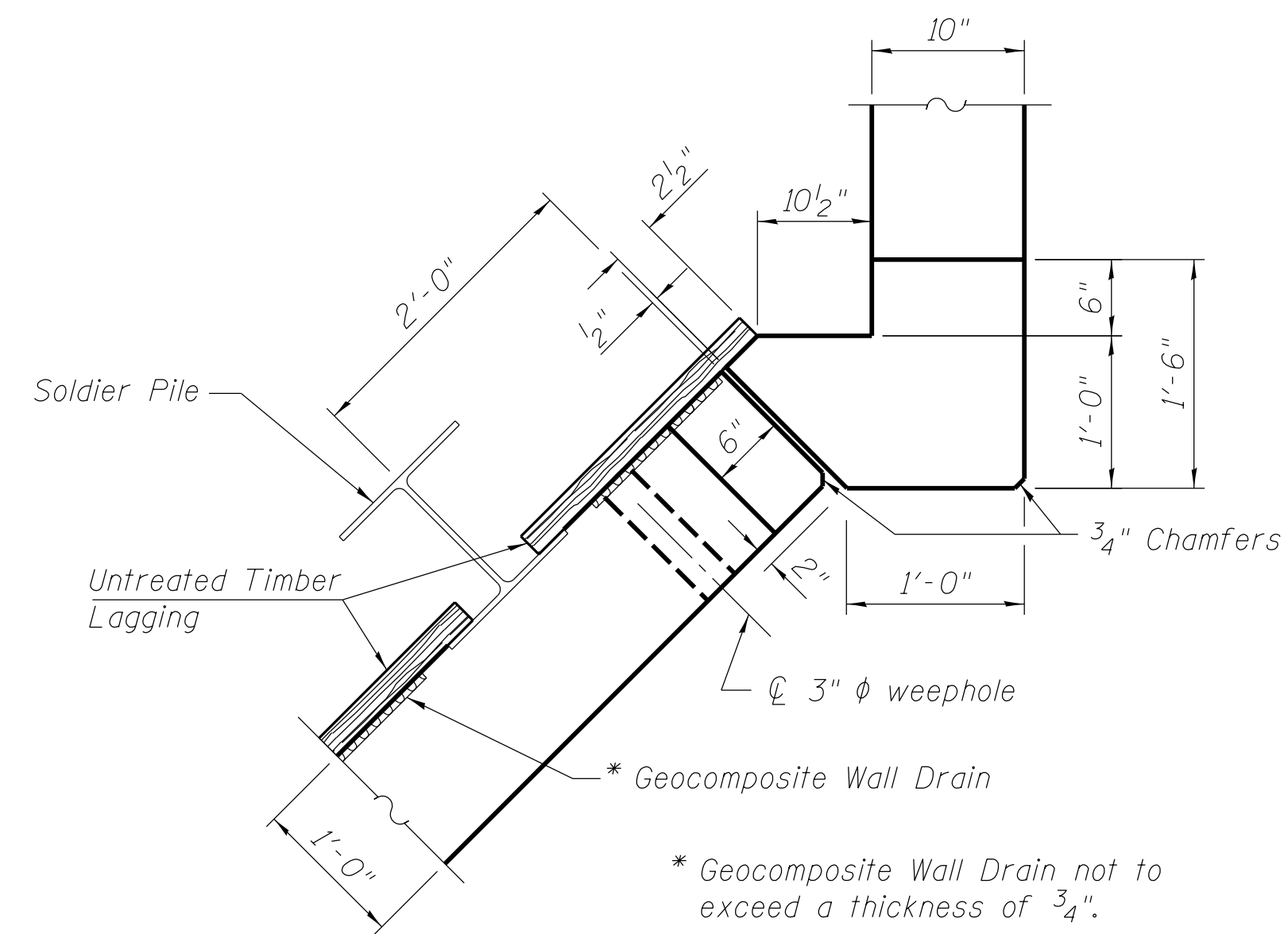
SECTION D-D
(Typ. Both Ends)



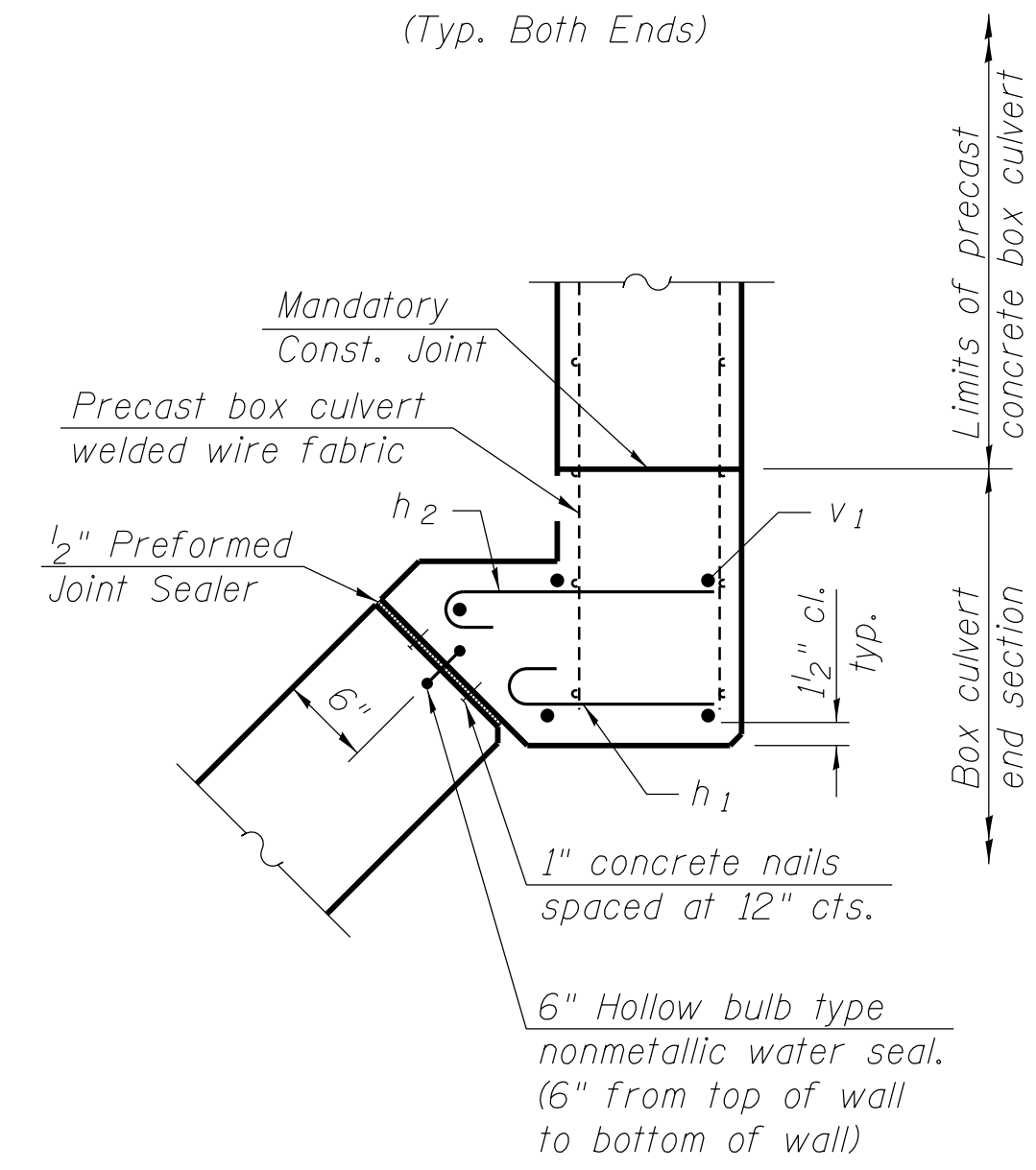
DRAIN DETAIL



SECTION C-C



SECTION E-E



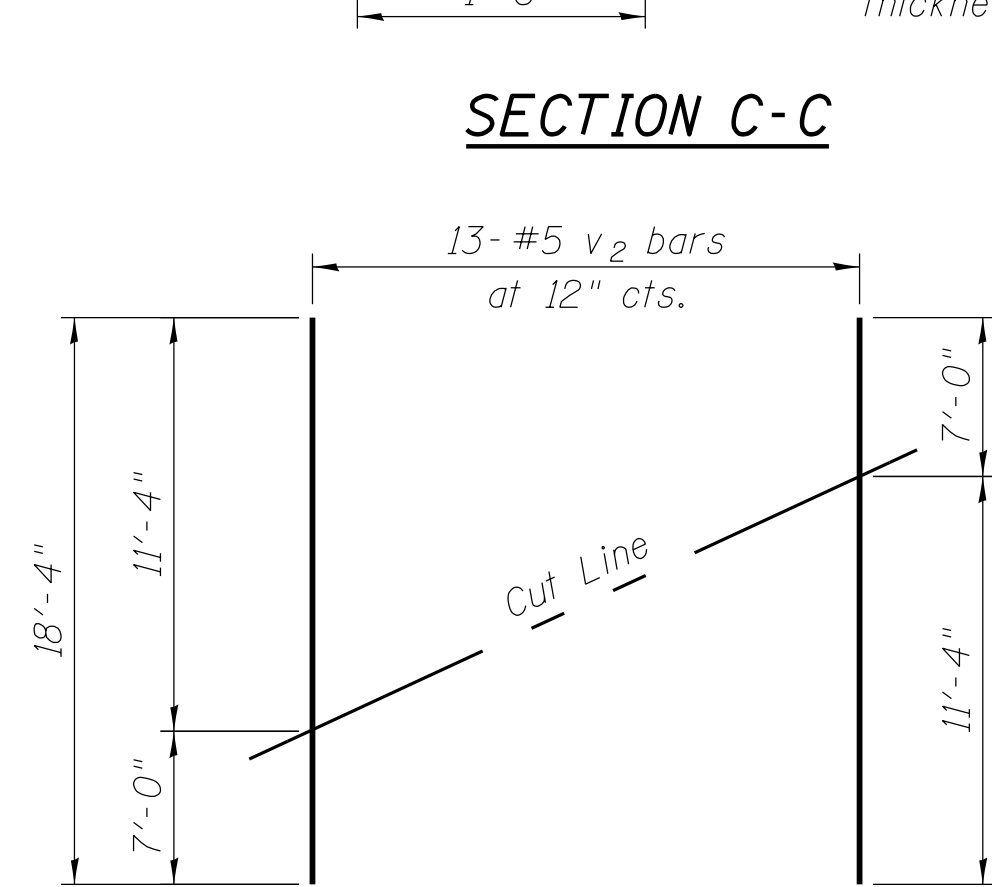
SECTION E-E

**ONE END SECTION
BILL OF MATERIAL**

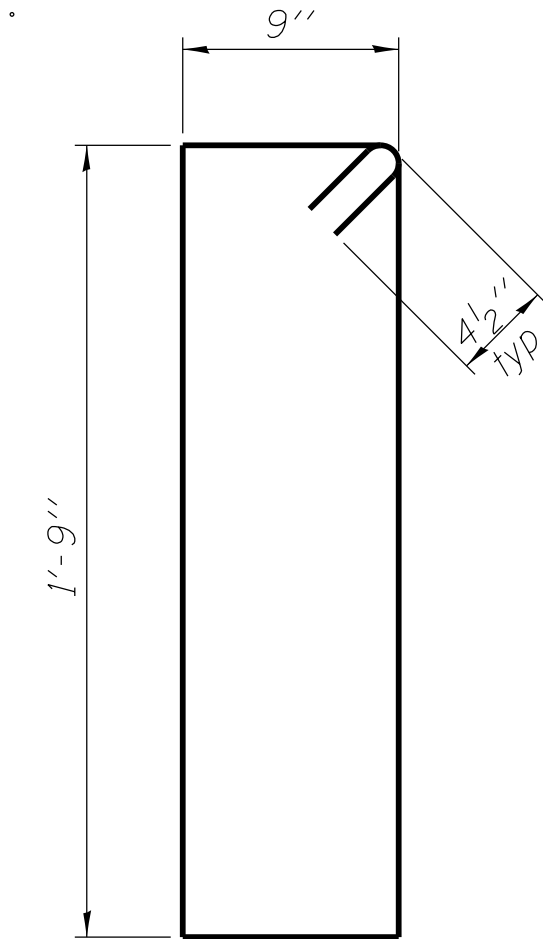
(For information only)

Bar	No.	Size	Length	Shape
h	3	#5	23'-5"	—
h1	24	#4	1'-5"	U
h2	24	#4	1'-9"	U
h3	7	#4	4'-2"	U
h4	2	#6	23'-7"	—
h5	2	#6	25'-0"	—
h6	48	#5	12'-3"	—
h7	3	#5	25'-0"	—
s	22	#4	4'-2"	U
s1	22	#4	4'-0"	U
s2	22	#4	5'-9"	U
v	22	#5	1'-9"	—
v1	13	#5	8'-4"	—
v2	26	#5	18'-4"	—
Concrete Structures			Cu. Yd.	8.8
Stud Shear Connectors			Each	52
Reinforcement Bars			Pound	1,780
Bar Splicers			Each	10
Furnishing Soldier Piles (HP Section)			Foot	174
Drilling and Setting Soldier Piles (in soil)			Cu. Ft.	365
Untreated Timber Lagging			Sq. Ft.	188
Concrete Box Culverts			Cu. Yd.	6.1
Geocomposite Wall Drain			Sq. Yd.	5

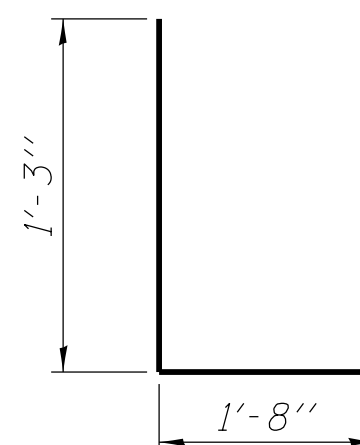
**



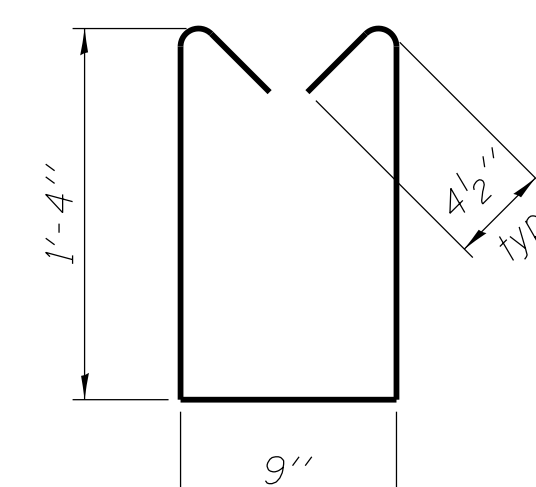
FIELD CUTTING DIAGRAM



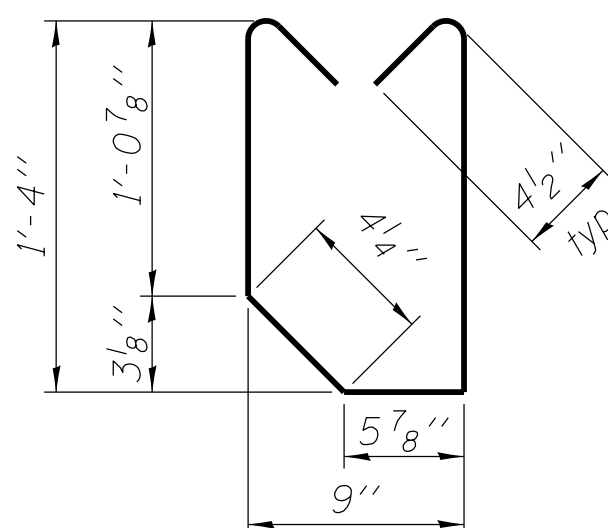
BAR s2



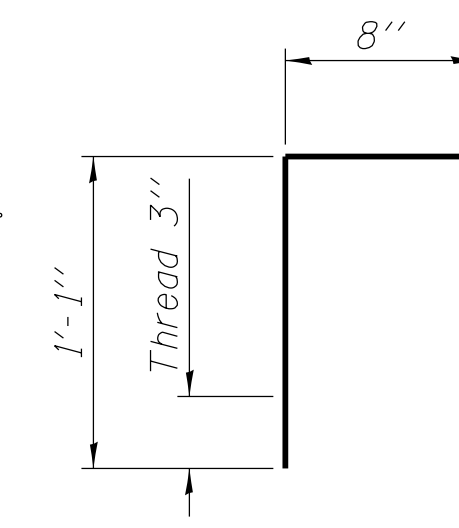
BAR h3



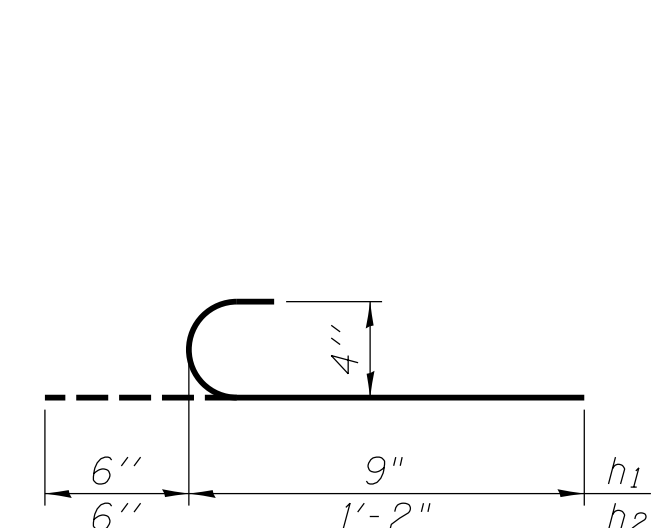
BAR s



BAR s1



BAR v



BARS h1 and h2

** Only s or s1 bars are required for each end section.
The above pay items will not be measured for payment but shall be included in the contract unit price each for Box Culvert End Sections of the culvert number specified.