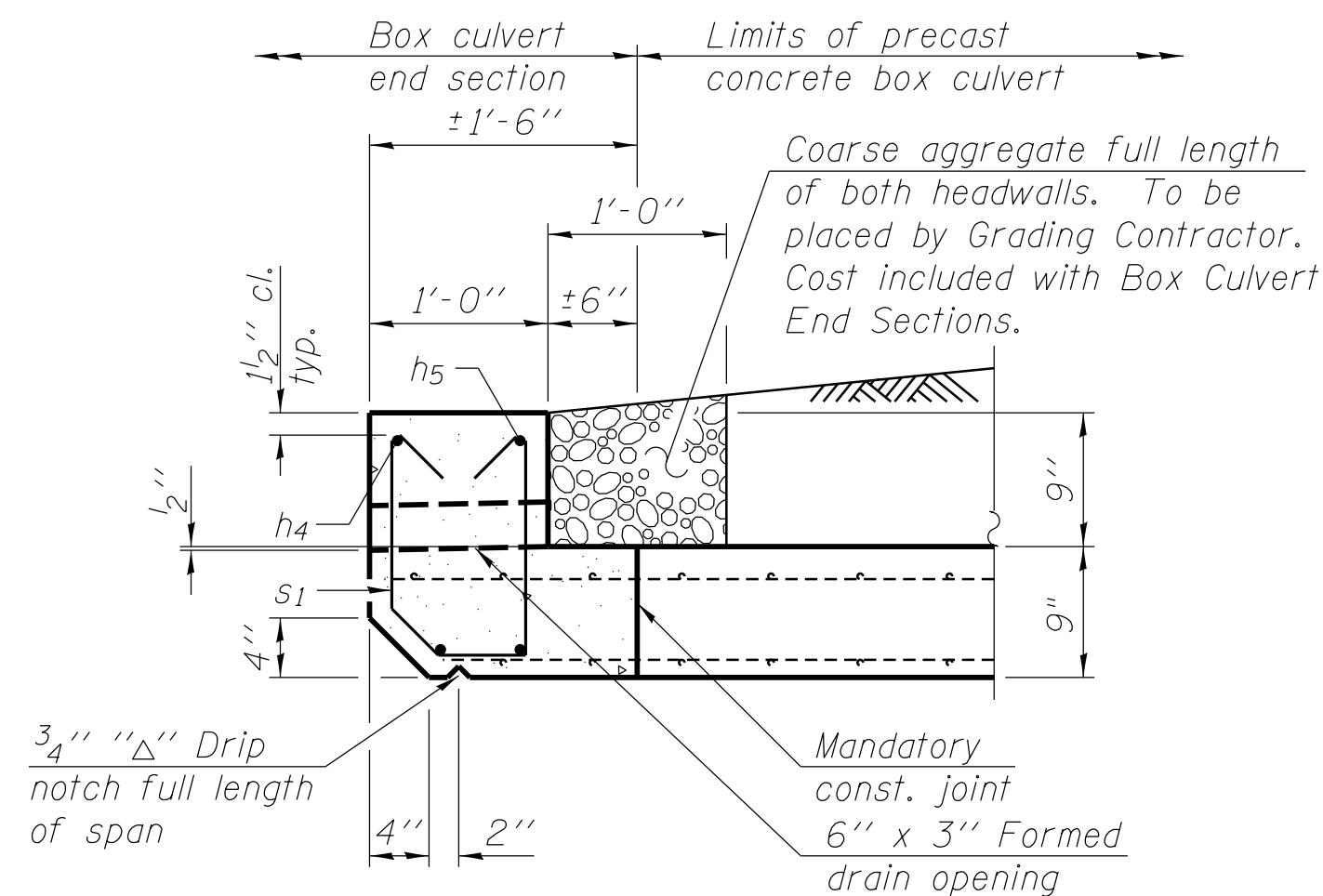
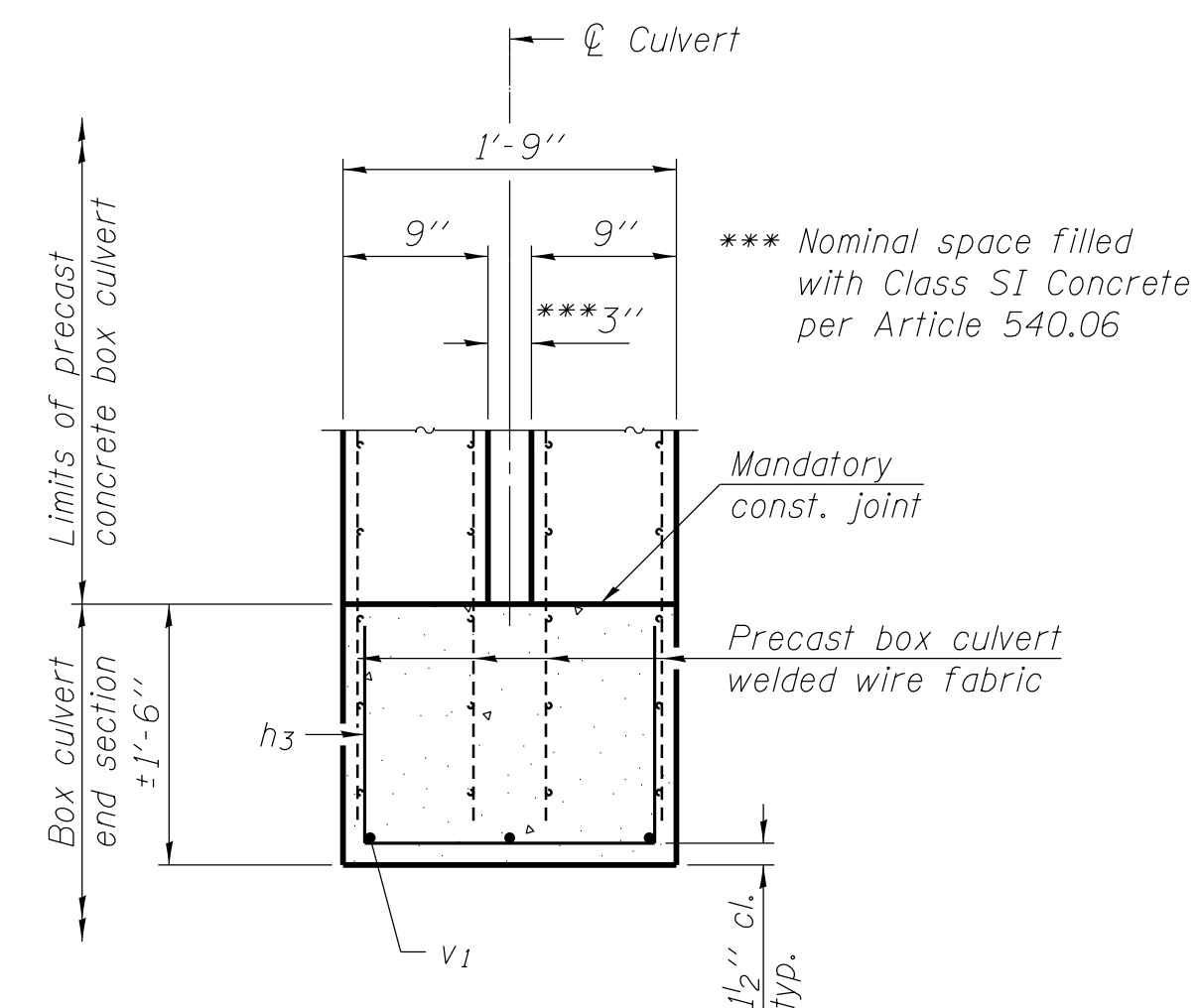


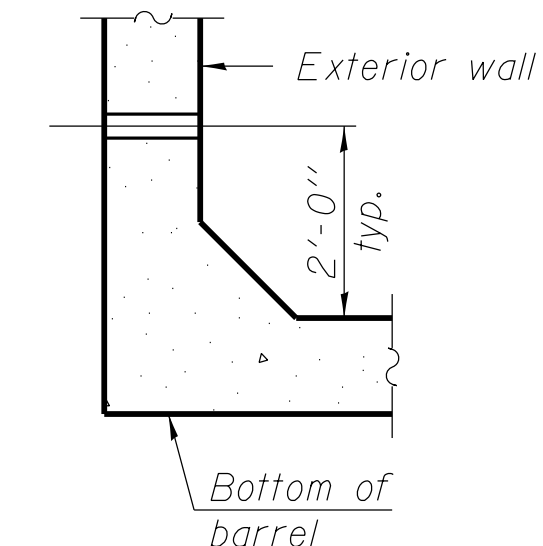
SECTION B-B
(Downstream Section)



SECTION B-B
(Upstream Section)

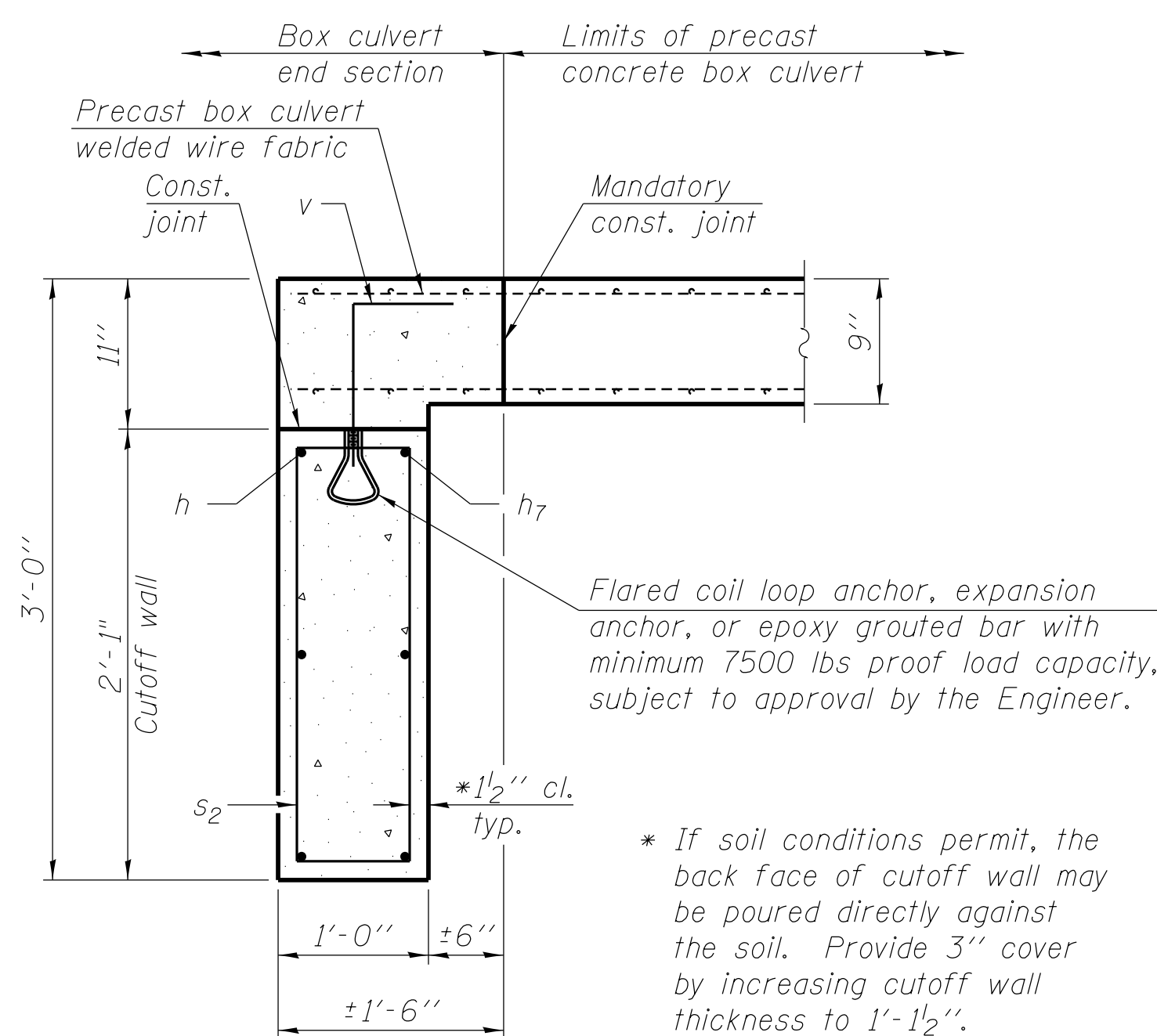


SECTION D-D
(Typ. Both Ends)

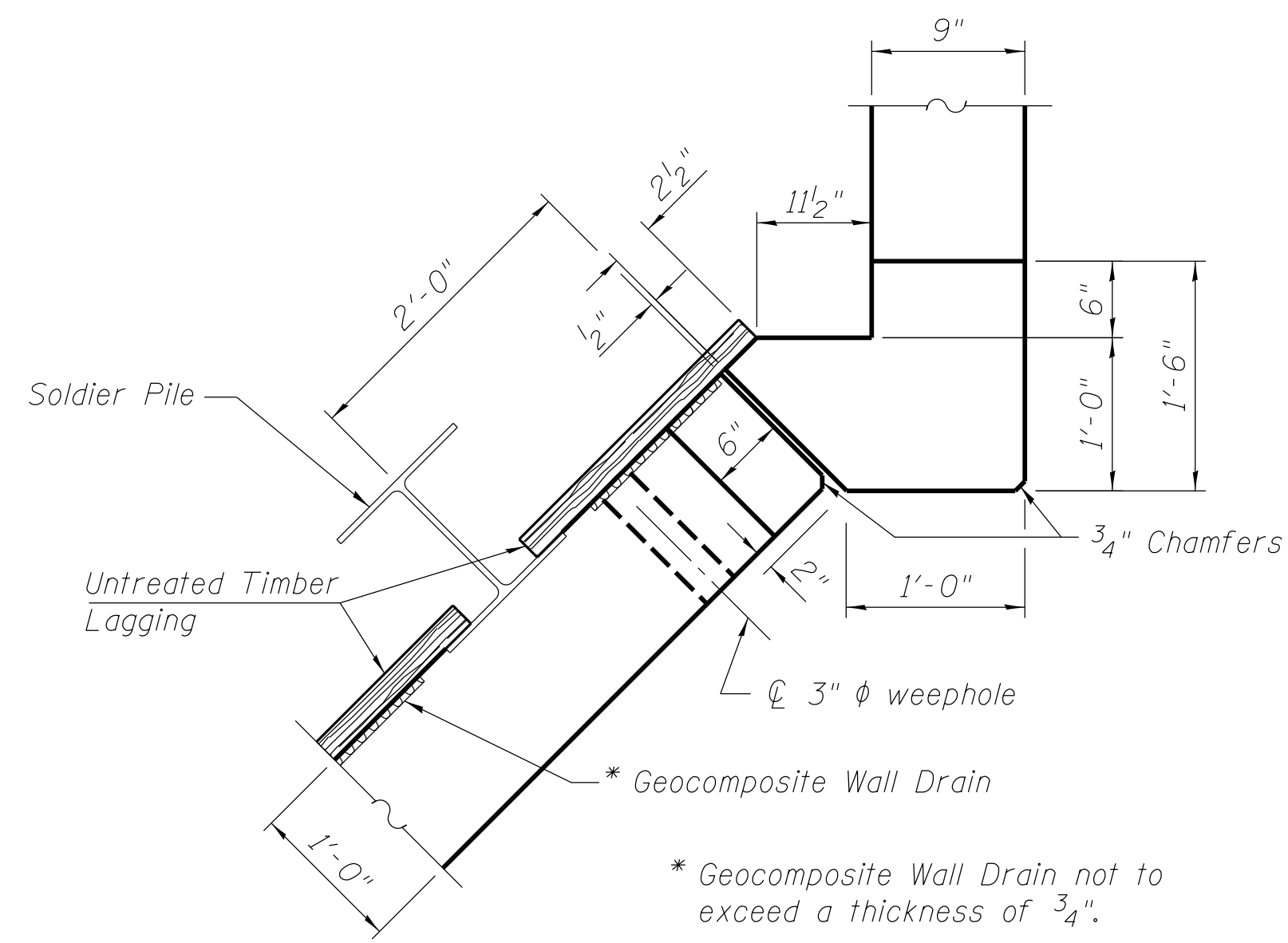


DRAIN DETAIL

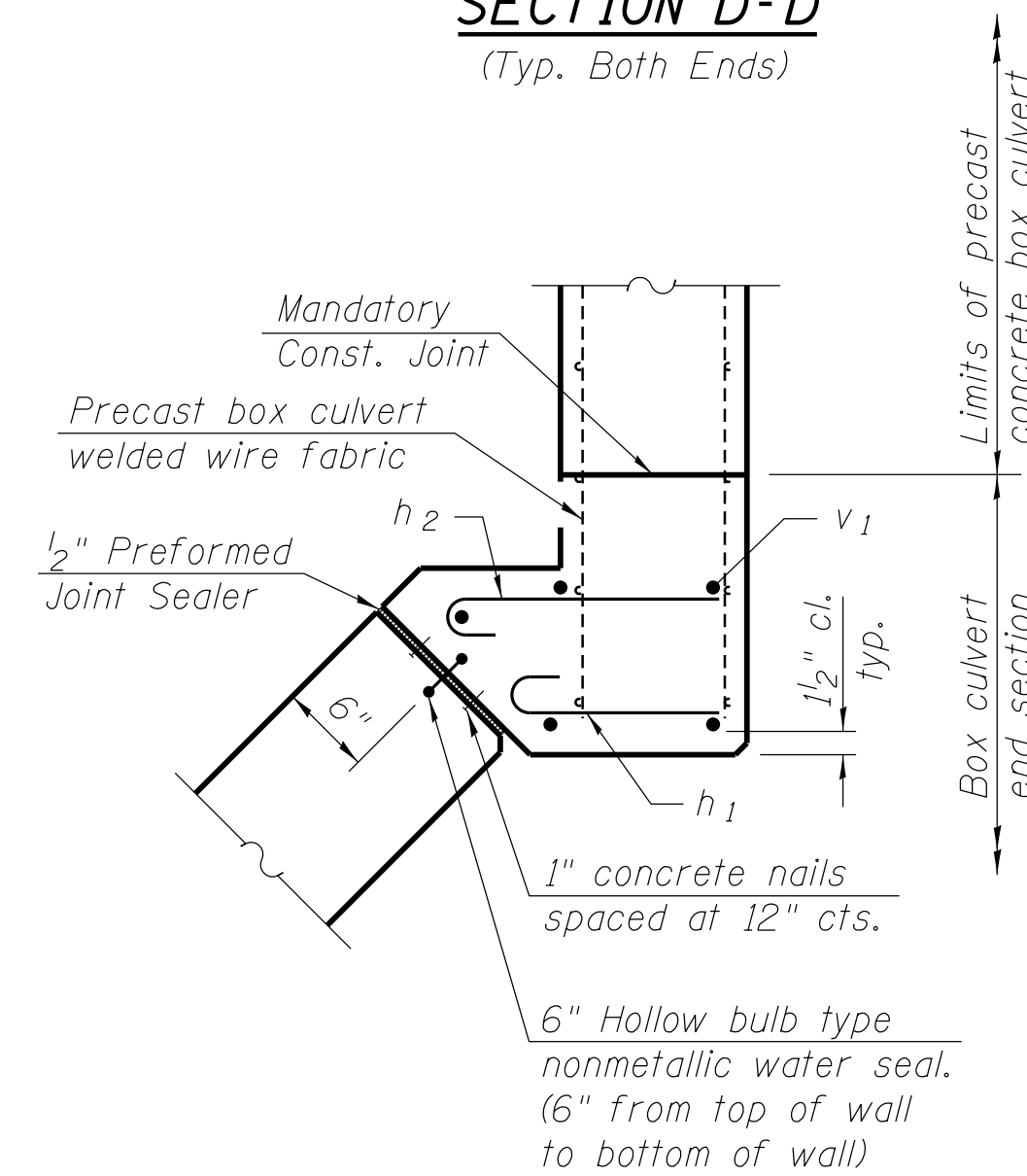
Provide 3" ϕ drain holes in exterior walls at $\pm 8'$ cts. See Article 503.11 of the Standard Specifications.



SECTION C-C



SECTION E-E
(Showing dimensions, wall drain, and weephole)



SECTION E-E
(Showing reinforcement and seal)

**ONE END SECTION
BILL OF MATERIAL**

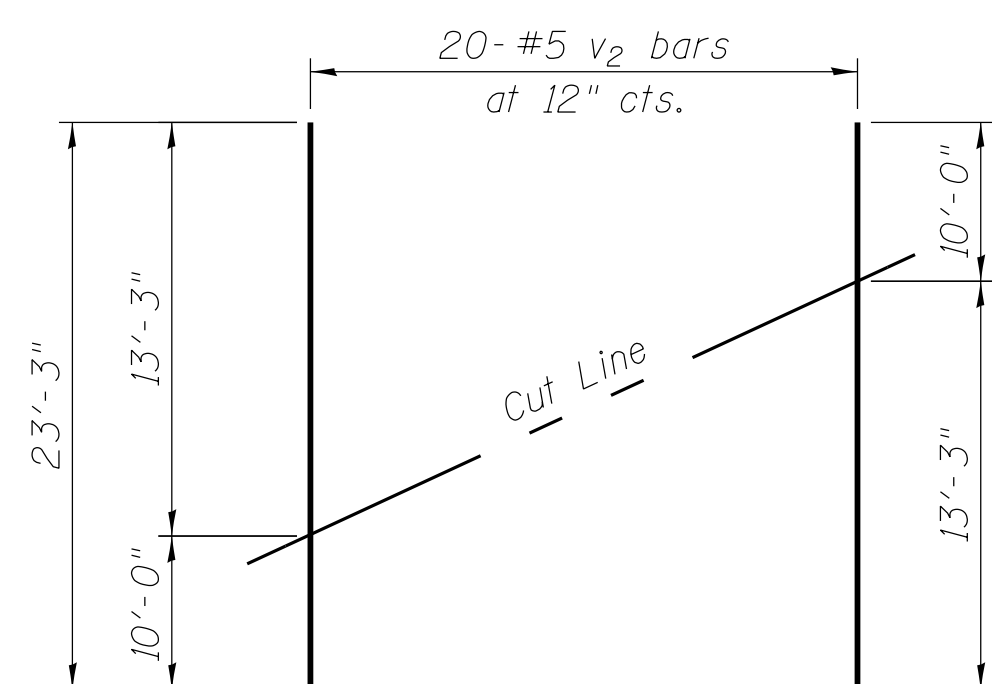
(For information only)

Bar	No.	Size	Length	Shape
h	3	#5	21'-6"	—
h ₁	28	#4	1'-5"	—
h ₂	28	#4	1'-9"	—
h ₃	9	#4	4'-0"	—
h ₄	2	#6	21'-6"	—
h ₅	2	#6	22'-10"	—
h ₆	28	#5	19'-3"	—
h ₇	3	#5	22'-10"	—
h ₈	28	#5	11'-9"	—
s	20	#4	4'-0"	—
s ₁	20	#4	3'-10"	—
s ₂	20	#4	5'-11"	—
v	20	#5	1'-8"	—
v ₁	13	#5	10'-4"	—
v ₂	20	#5	23'-3"	—
v ₃	13	#5	20'-3"	—
Concrete Structures		Cu. Yd.	13.2	
Stud Shear Connectors		Each	91	
Reinforcement Bars		Pound	2,330	
Bar Splicers		Each	10	
Furnishing Soldier Piles (HP Section)		Foot	248	
Drilling and Setting Soldier Piles (in soil)		Cu. Ft.	456	
Untreated Timber Lagging		Sq. Ft.	346	
Concrete Box Culverts		Cu. Yd.	5.7	
Geocomposite Wall Drain		Sq. Yd.	10	

**

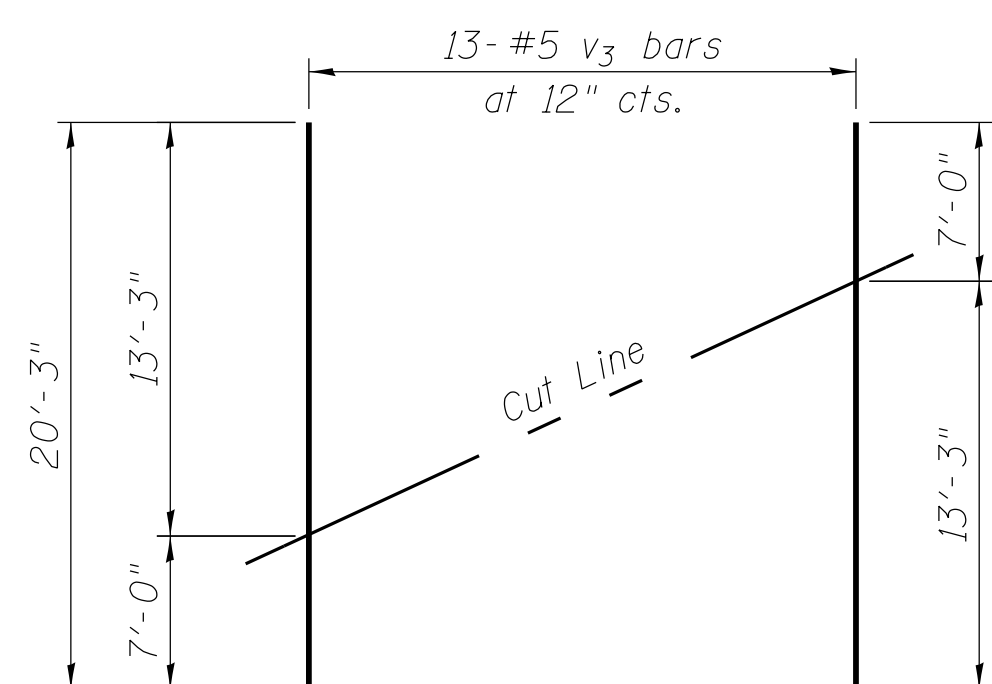
**

** Only s or s₁ bars are required for each end section.
The above pay items will not be measured for payment but shall be included in the contract unit price each for Box Culvert End Sections of the culvert number specified.



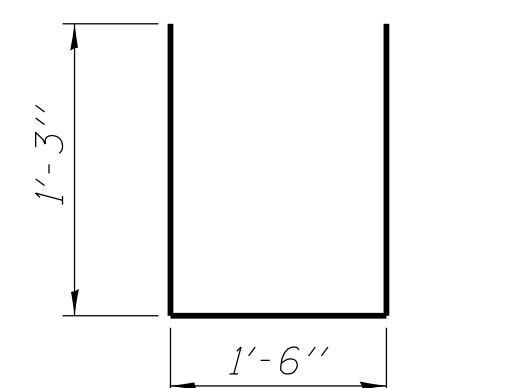
FIELD CUTTING DIAGRAM

Order v₂ bars full length. Cut to fit and use remainder of bar in opposite face.

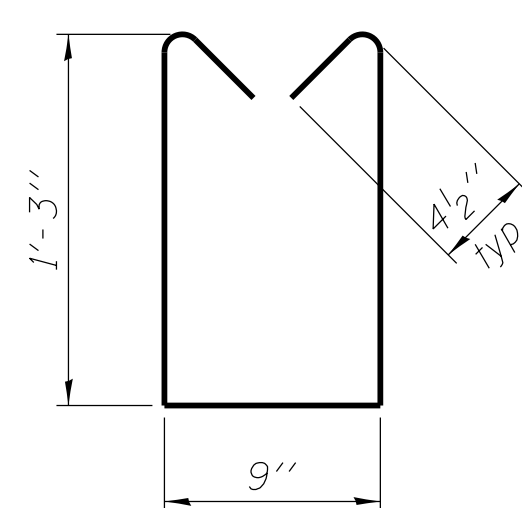


FIELD CUTTING DIAGRAM

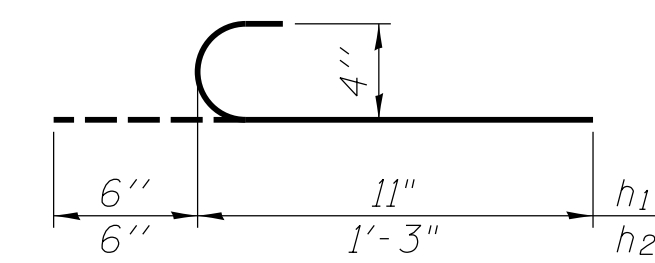
Order v₃ bars full length. Cut to fit and use remainder of bar in opposite face.



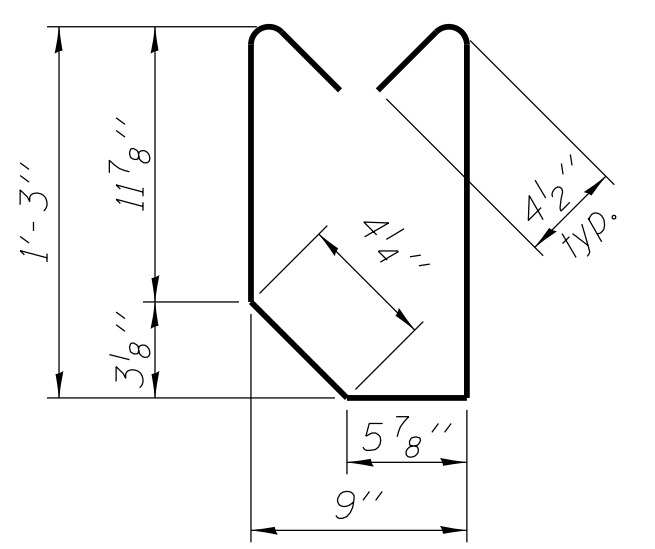
BAR h₃



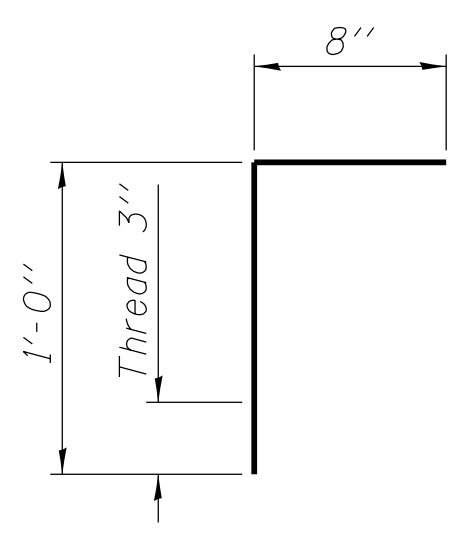
BAR s



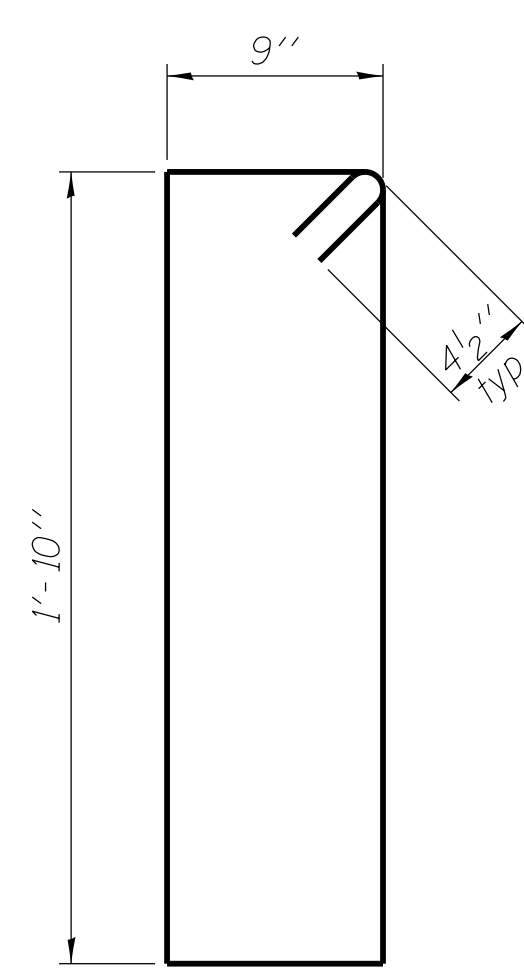
BARS h₁ and h₂



BAR s₁



BAR v



BAR s₂