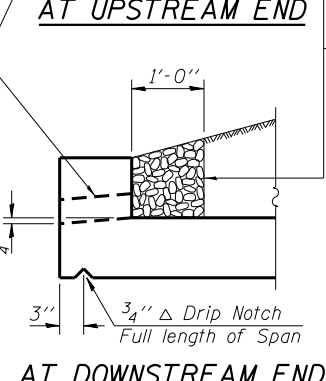
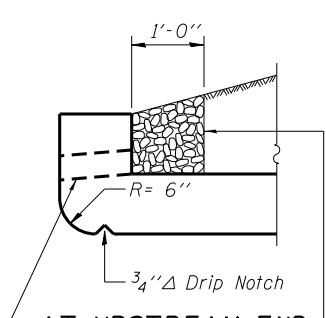
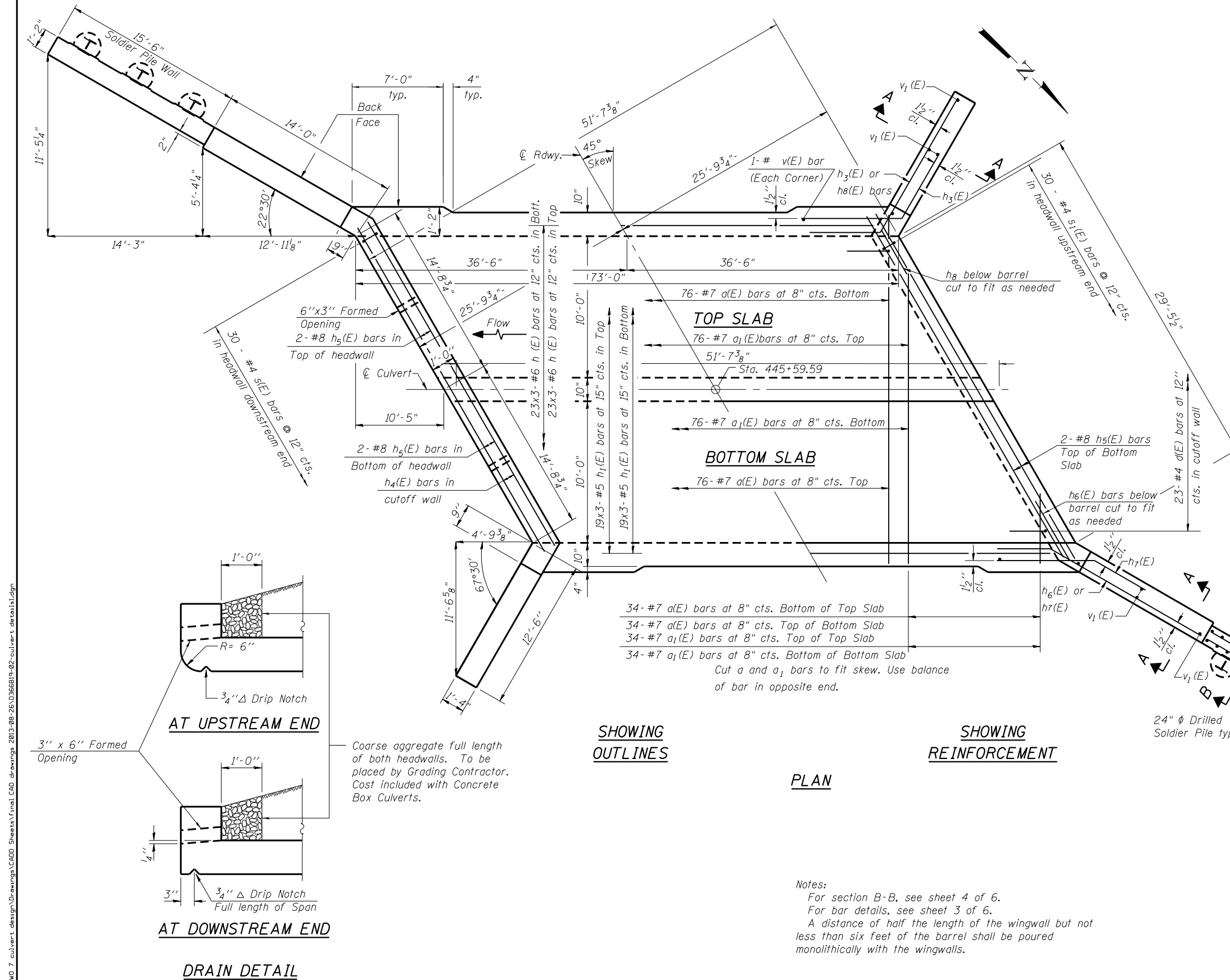


TOTAL BILL OF MATERIAL

ITEM	UNIT	TOTAL
Stone Riprap, Class A4	Sq. Yd.	564
Filter Fabric	Sq. Yd.	564
Removal of Existing Structures No. 3	Each	1
Structure Excavation	Cu. Yd.	41.2
Concrete Structures	Cu. Yd.	14.6
Stud Shear Connectors	Each	54
Reinforcement Bars, Epoxy Coated	Pound	53,970
Name Plates	Each	1
Concrete Box Culverts	Cu. Yd.	227.0
Geocomposite Wall Drain	Sq. Yd.	3.5
Drilling and Setting Soldier Piles (In Soil)	Cu. Ft.	537
Untreated Timber Lagging	Sq. Ft.	177
Furnishing Soldier Piles (HP Section)	Foot	171

GENERAL NOTES

- Reinforcement bars designated (E) shall be epoxy coated.
- Layout of the slope protection system may be varied to suit ground conditions in the field as directed by the Engineer.
- The top of the box culvert shall be waterproofed according to Art. 503.18 of the Std. Specs. Cost included with Concrete Box Culverts.
- Precast option is not allowed.



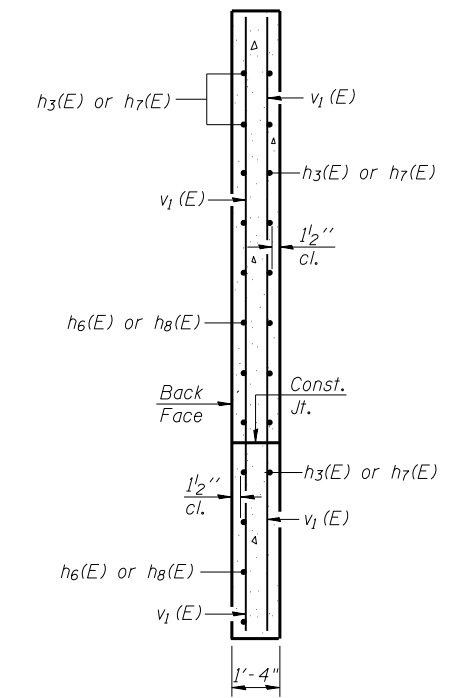
DRAIN DETAIL

SHOWING OUTLINES

SHOWING REINFORCEMENT

PLAN

Notes:
 For section B-B, see sheet 4 of 6.
 For bar details, see sheet 3 of 6.
 A distance of half the length of the wingwall but not less than six feet of the barrel shall be poured monolithically with the wingwalls.



SECTION A-A

I:\Projects\11-208-007_WD_7_culvert_design\Drawings\CADD_Sheets\Final\CAD_Sheets\Final\CAD_Sheets\Final\02-culvert_details.dwg



USER NAME =	DESIGNED - OY	REVISED
PLOT SCALE =	CHECKED - DB	REVISED
PLOT DATE =	DRAWN - CM	REVISED
	CHECKED - JB	REVISED

**STATE OF ILLINOIS
 DEPARTMENT OF TRANSPORTATION**

**CULVERT PLAN
 STRUCTURE NO. 050-2057**

SHEET NO. 2 OF 6 SHEETS

F.A.P. RTE.	SECTION	COUNTY	TOTAL SHEETS	SHEET NO.
786	(110)BR-1	LASALLE	69	42
CONTRACT NO. 66B19				

ILLINOIS FED. AID PROJECT