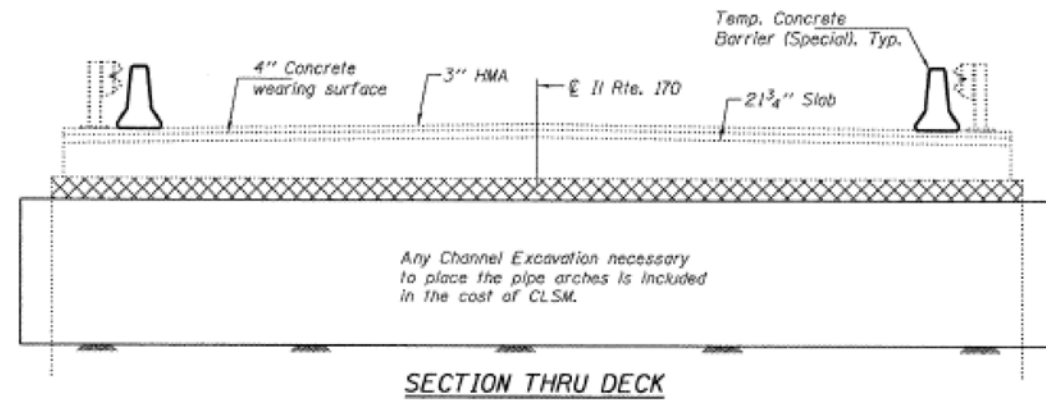
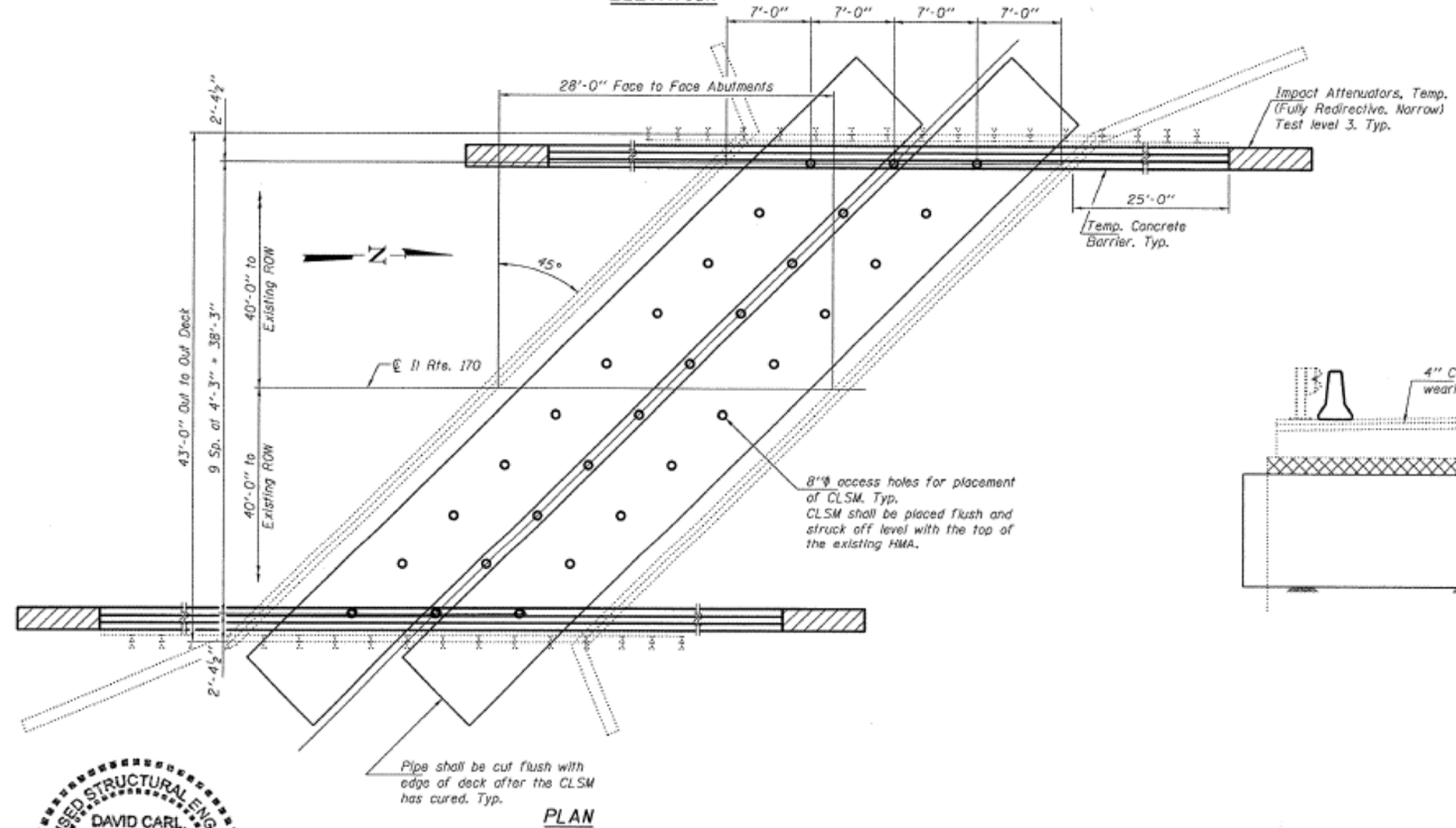
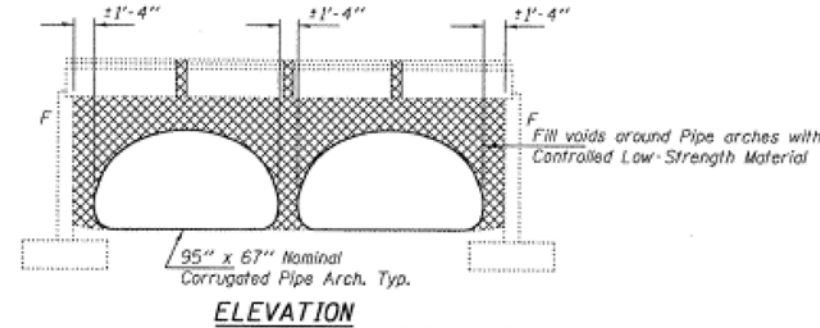


GENERAL NOTES

Plan dimensions and details relative to existing plans are subject to nominal construction variations. The Contractor shall field verify existing dimensions and details affecting new construction and make necessary approved adjustments prior to construction or ordering of materials. Such variations shall not be cause for additional compensation for a change in scope of the work, however, the Contractor will be paid for the quantity actually furnished at the unit price bid for the work.



Expires: November 30, 2012

DESIGNED - [Signature]	EXAMINED - [Signature]	DATE - MARCH 23, 2011
CHECKED - [Signature]	PASSED - [Signature]	
DRAWN - [Signature]		
CHECKED - [Signature]		

STATE OF ILLINOIS
DEPARTMENT OF TRANSPORTATION

GENERAL PLAN & ELEVATION
SN 050-072

F.A.P. RTE.	SECTION	COUNTY	TOTAL SHEETS	SHEET NO.
786	110-81	LaSALLE	5	5
CONTRACT NO. 66822			ILLINOIS FED. AID PROJECT	

TOTAL BILL OF MATERIAL

ITEM	UNIT	QUANTITY
Temporary Concrete Barrier (Install only)	Foot	156
Controlled Low-Strength Material	Cu. Yd.	228.0
Corrugated Structural Plate Pipe Arches 37 Sq. Ft.	Foot	142
Impact Attenuators, Temp. (Fully Redirective, Narrow) Test level 3	Each	4