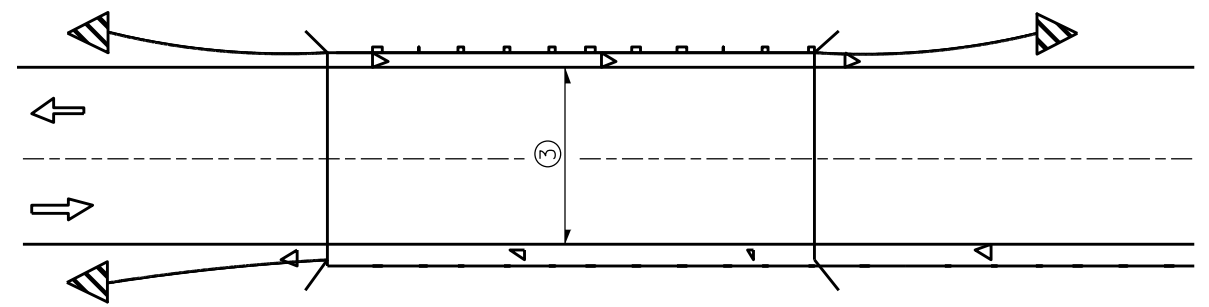


① Spacing 80 ft max. for first 400 ft or curve spacing shown in Standard 635001, whichever is less (min. 4 reflectors regardless of length).
② After 400 ft, transition to normal delineator spacing shown in Standard 635001, and continue as required.

ONE-WAY TRAFFIC

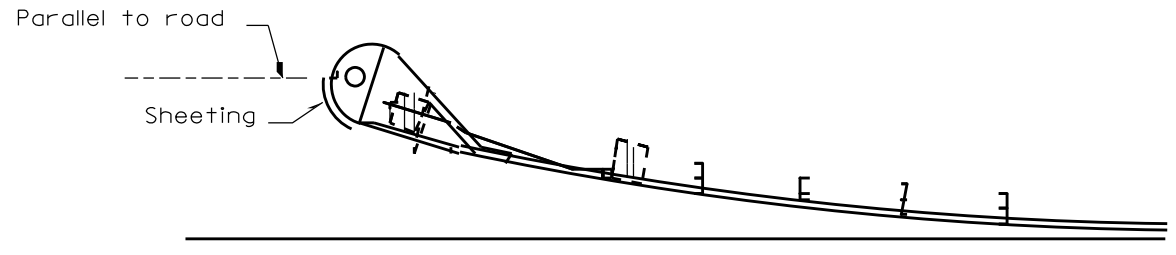


③ Bidirectional silver/silver should be used in lieu of monodirectional silver on both sides of two-lane bridges where the pavement is less than 24" wider than the pavement approaching the bridge.

- ◁ Monodirectional silver
- ▷ Monodirectional amber
- ◁/▷ Terminal Marker - Black/Yellow Left or Right as appropriate

TWO-WAY TRAFFIC

GUARDRAIL / BARRIER WALL / BRIDGE RAIL REFLECTORS



SHEETING POSITION: CASE II