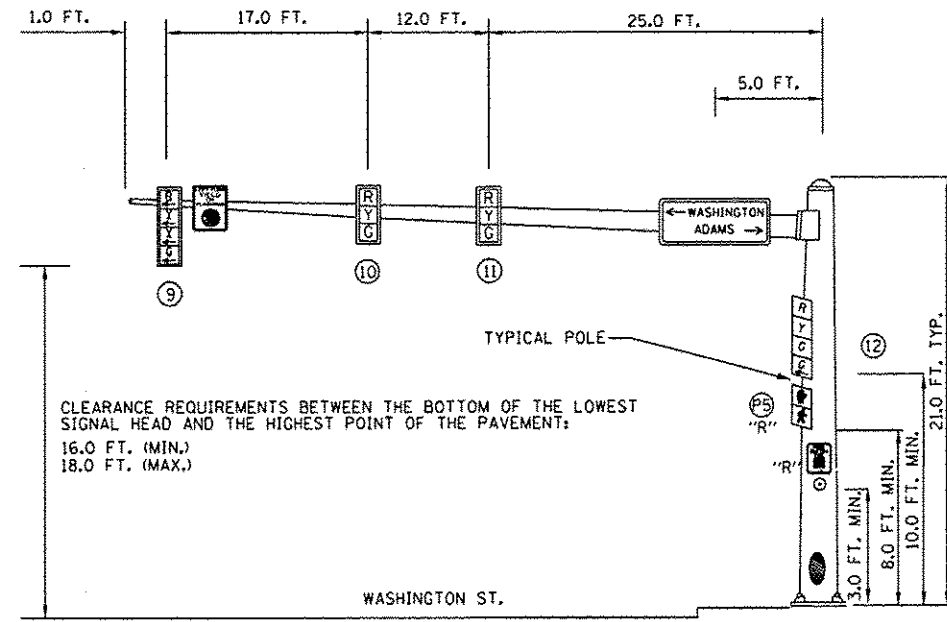
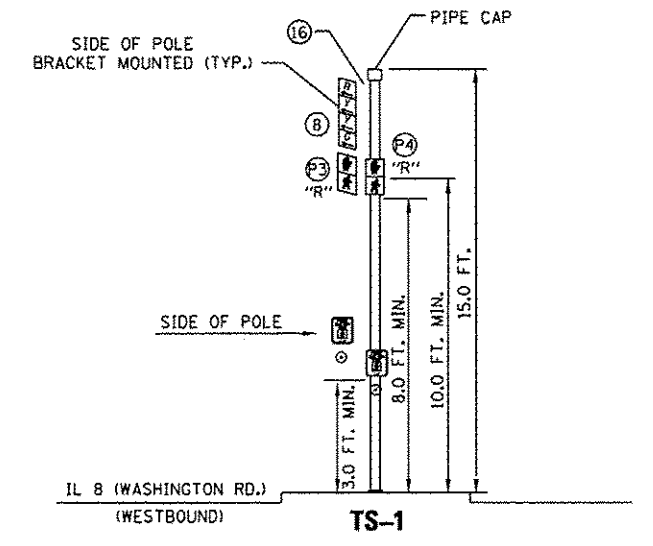


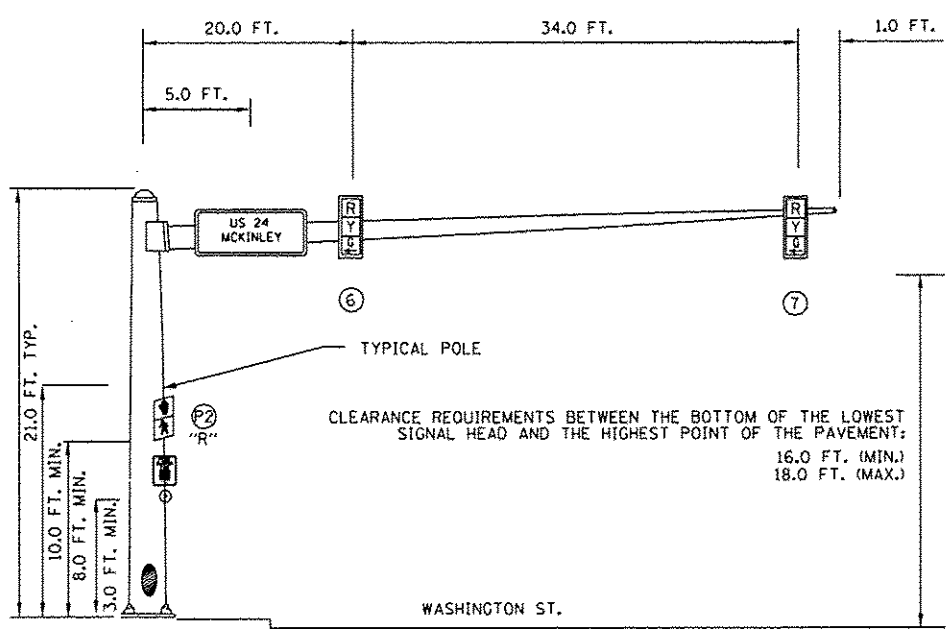
**EASTBOUND TRAFFIC SIGNAL**  
**SOUTHEAST CORNER OF US 24 (MCKINLEY) & ADAMSWASHINGTON**



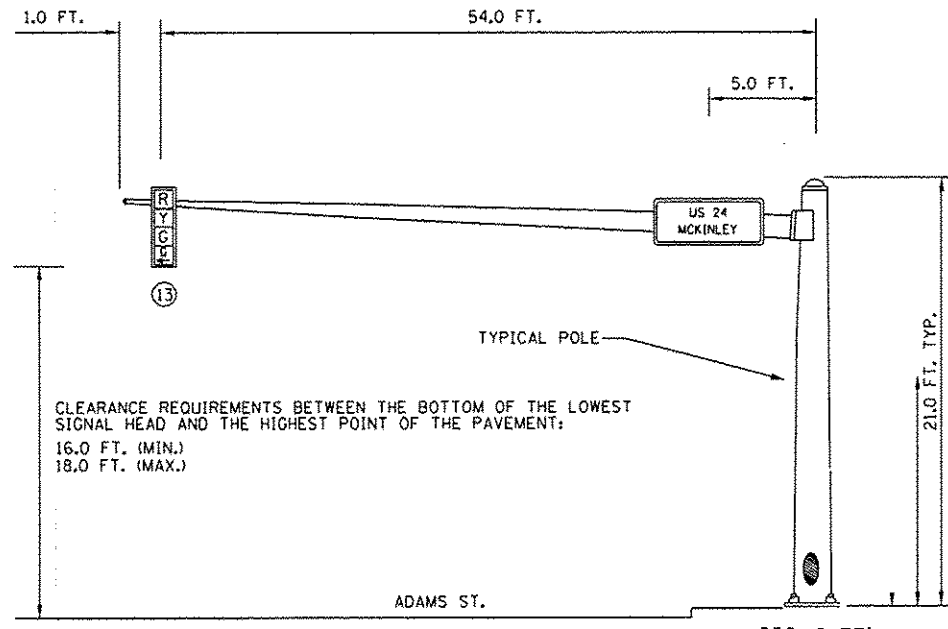
**WESTBOUND TRAFFIC SIGNAL**  
**NORTHWEST CORNER OF US 24 (MCKINLEY) & ADAMSWASHINGTON**



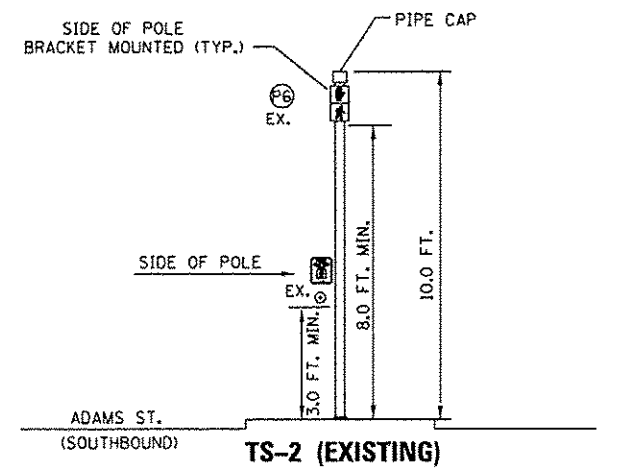
**WESTBOUND TRAFFIC SIGNAL**  
**SOUTHWEST CORNER OF US 24 (MCKINLEY) & ADAMSWASHINGTON**



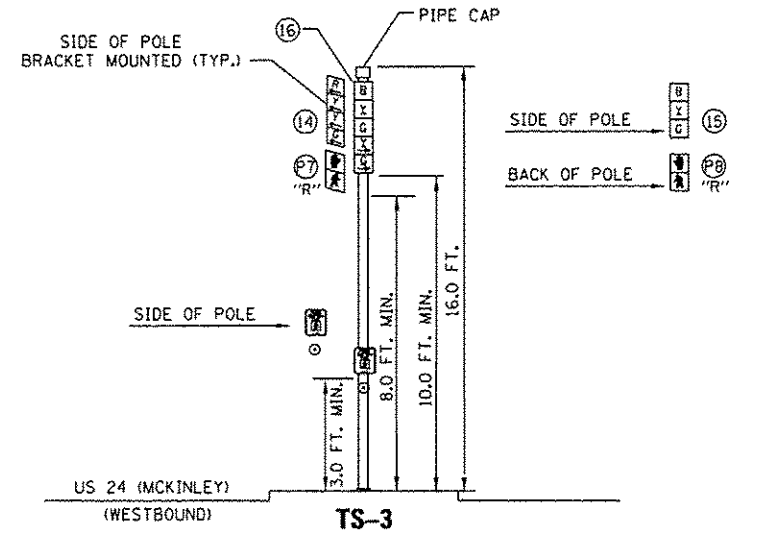
**SOUTHBOUND TRAFFIC SIGNAL**  
**SOUTHEAST CORNER OF US 24 (MCKINLEY) & ADAMSWASHINGTON**



**NORTHBOUND TRAFFIC SIGNAL**  
**NORTHEAST CORNER OF US 24 (MCKINLEY) & ADAMSWASHINGTON**



**NORTHWEST PEDESTRIAN SIGNAL**  
**NORTHWEST CORNER OF US 24 (MCKINLEY) & ADAMSWASHINGTON**



**EAST/WESTBOUND TRAFFIC SIGNAL**  
**NORTHEAST ISLAND OF US 24 (MCKINLEY) & ADAMSWASHINGTON**

|  |                                 |                 |                |   |  |            |                 |              |          |         |               |            |
|--|---------------------------------|-----------------|----------------|---|--|------------|-----------------|--------------|----------|---------|---------------|------------|
| FILE NAME: C:\temp\68853 - US 24 & Adams Traffic | USER NAME: kethbr               | DESIGNED: _____ | REVISED: _____ | <b>STATE OF ILLINOIS<br/>DEPARTMENT OF TRANSPORTATION</b> | <b>TRAFFIC SIGNAL MAST ARM DETAILS</b> |            |                 | F.A.P. RTE.: | SECTION: | COUNTY: | TOTAL SHEETS: | SHEET NO.: |
|  | Signal Plans (Final 9-2-13).dgn | DRAWN: _____    | REVISED: _____ |   | 317                                    | 46-1(TS-3) | PEORIA-TAZEWELL | 10           | 9        |         |               |            |
|  | PLOT SCALE = 1/8" = 1'-0"       | CHECKED: _____  | REVISED: _____ |   | CONTRACT NO. 68B53                     |            |                 |              |          |         |               |            |
|  | PLOT DATE = 9/4/2013            | DATE: _____     | REVISED: _____ |   | ILLINOIS FED. AID PROJECT              |            |                 |              |          |         |               |            |