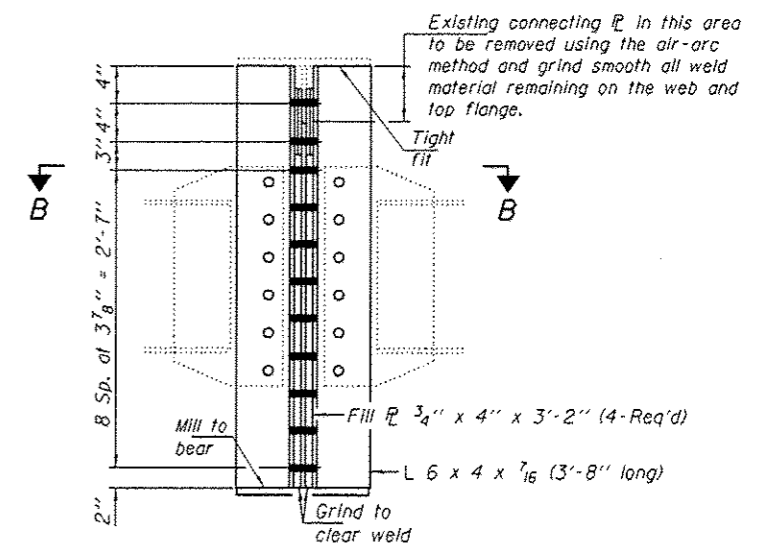


**SECTION B-B**



**DIAPHRAGM REPLACEMENT**

- Field Drill holes in new steel using holes in existing steel as template.
- Field Drill holes in existing steel using holes in new steel as template.

Girder 3 shown  
 Girder 1, W. side only  
 Girder 7, E. side only

DESIGNED <i>GGE</i>	EXAMINED <i>Timothy A. ...</i>	DATE <i>NOVEMBER 18, 2013</i>	<b>STATE OF ILLINOIS DEPARTMENT OF TRANSPORTATION</b>		<b>REPAIR DETAILS SN 072-0182</b>		F.A.I. RTE.	SECTION	COUNTY	TOTAL SHEETS	SHEET NO.
CHECKED <i>ATH</i>	PASSED <i>ACTING ENGINEER OF STRUCTURAL SERVICES</i>	REVISED					74	04 MCHD 2014-1	PEORIA	8	4
DRAWN <i>baliva</i>	ACTING ENGINEER OF BRIDGES AND STRUCTURES	REVISED	SHEET NO. 2 OF 3 SHEETS		CONTRACT NO. 68B64		ILLINOIS FED. AID PROJECT				
CHECKED <i>GGE</i> <i>ATH</i>											