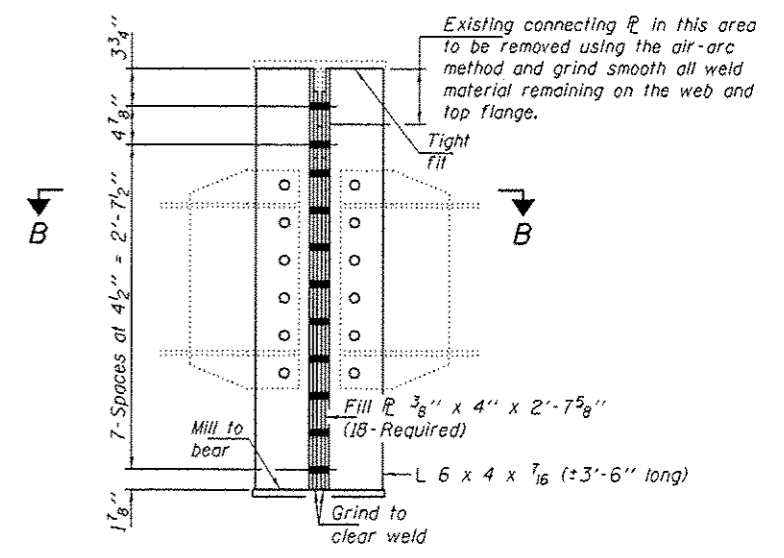


**SECTION B-B**



**DIAPHRAGM REPLACEMENT**

Girders 2 thru 5 shown.  
Girder 1 South side only.

- - Field Drill holes in new steel using holes in existing steel as template.
- - Field Drill holes in existing steel using holes in new steel as template.

DESIGNED <i>GGE</i>	EXAMINED <i>Timothy A. Anelli</i> ACTING ENGINEER OF STRUCTURAL SERVICES	DATE <i>NOVEMBER 18, 2013</i>	<b>STATE OF ILLINOIS DEPARTMENT OF TRANSPORTATION</b>	<b>REPAIR DETAILS SN 072-0179</b>	F.A.I. RTE. 14	SECTION 04 MCHD 2014-1	COUNTY PEORIA	TOTAL SHEETS 8	SHEET NO. 7
CHECKED <i>ATH</i>	PASSED <i>A. Carl Meyer</i> ACTING ENGINEER OF BRIDGES AND STRUCTURES	REVISED			CONTRACT NO. 68864				
DRAWN <i>Kyle M. Steffen</i>		REVISED			ILLINOIS FED. AID PROJECT				
CHECKED <i>GGE ATH</i>					SHEET NO. 2 OF 3 SHEETS				