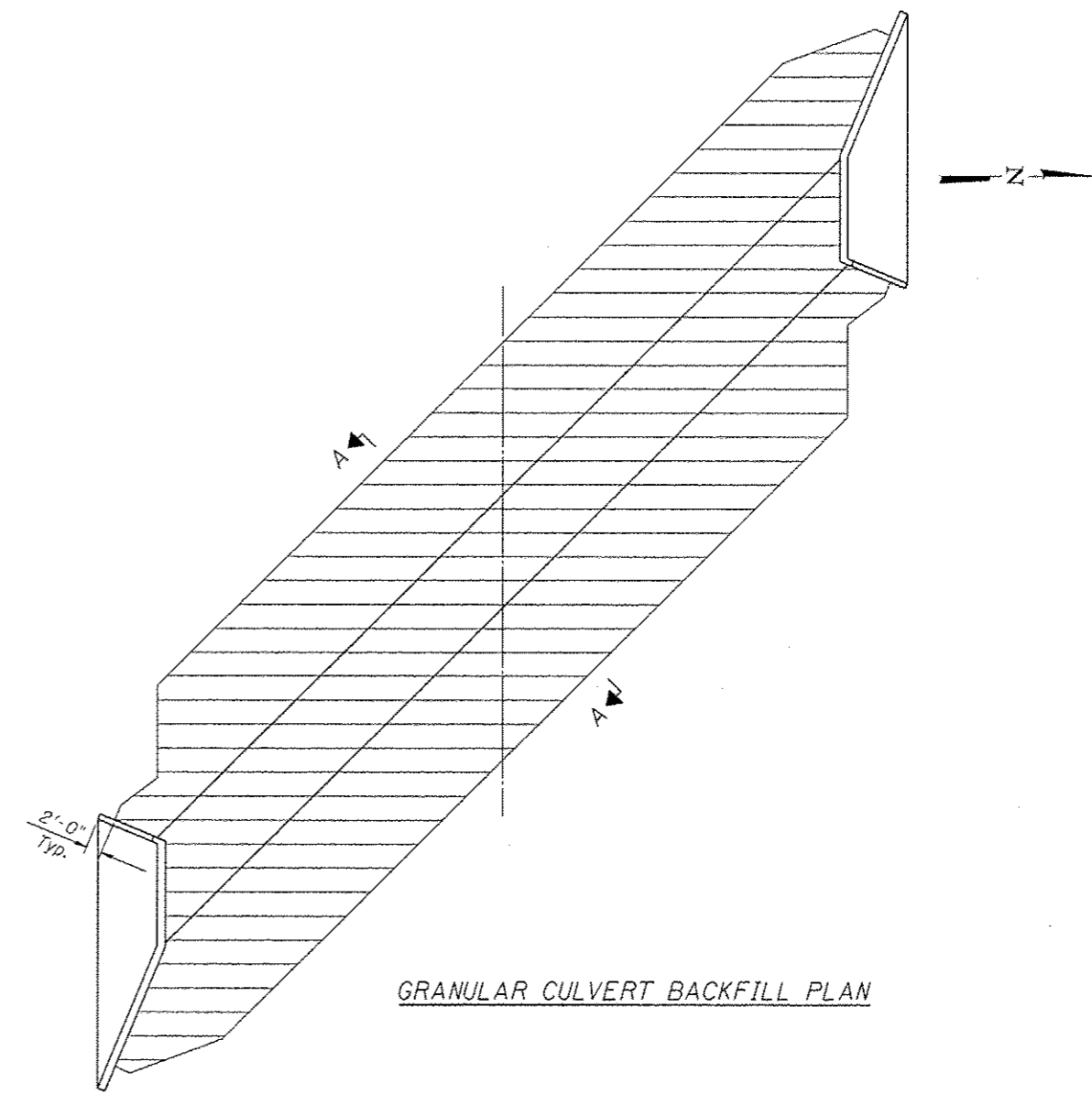


SECTION A-A

Note:
The area below the box and apron shall be over excavated by 6 inches and filled with CA-7 or CA-11 to provide a level platform. Cost included with Concrete Box Culverts

- SEQUENCE OF CONSTRUCTION**
1. Remove existing culvert.
 2. Construct proposed culvert.
 3. Place Granular Culvert Backfill.
 4. Pave roadway



GRANULAR CULVERT BACKFILL PLAN

1 REVISED SHEET 12-27-13

FILE NAME :	USER NAME :	DESIGNED RJP	REVISED SEB 10-25-13	STATE OF ILLINOIS DEPARTMENT OF TRANSPORTATION	GENERAL DATA				
D:\08\files\082224\VD 1 - US 24 over Frontier Creek - Structure Plans\SN 001-7129 & S	CHECKED CAD	DRAWN ADL	REVISED		F.A. RTE.	SECTION	COUNTY	TOTAL SHEETS	SHEET NO.
PLOT SCALE :	CHECKED RJP	DRAWN ADL	REVISED		63	(1)CR-1, (2)CR	ADAMS	43	18
PLOT DATE :	CHECKED RJP	DRAWN ADL	REVISED		CONTRACT NO. 72C12				
					SHEET NO. 2 OF 5 SHEETS				
					ILLINOIS FED. AID PROJECT Klingner & Associates P.C.				