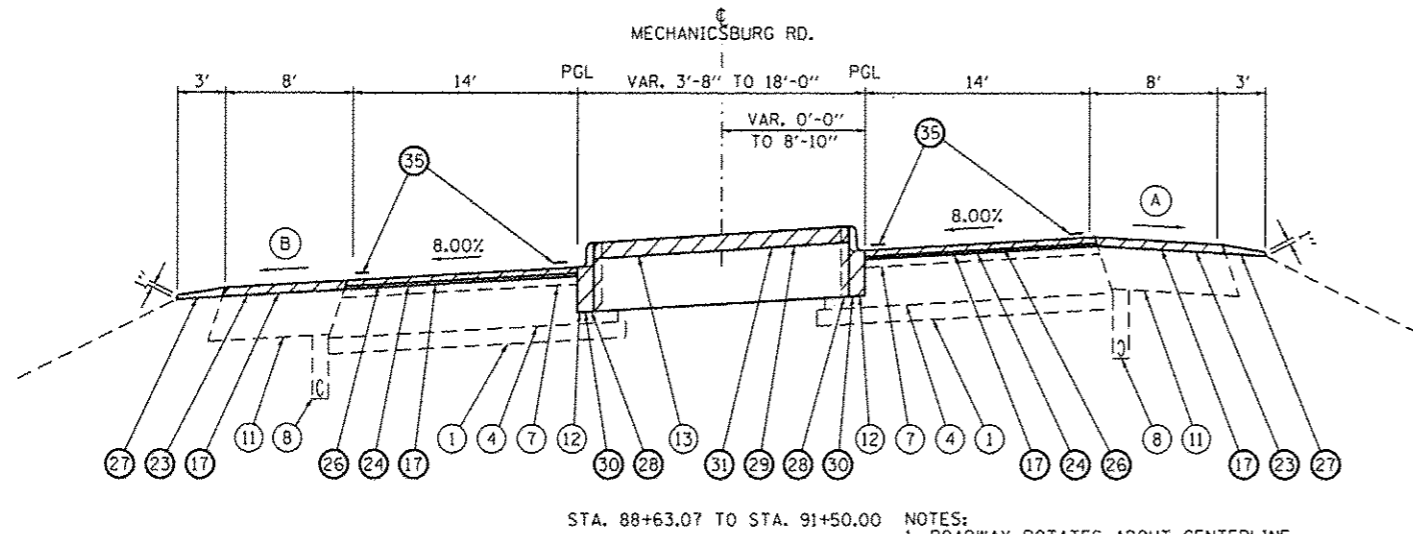
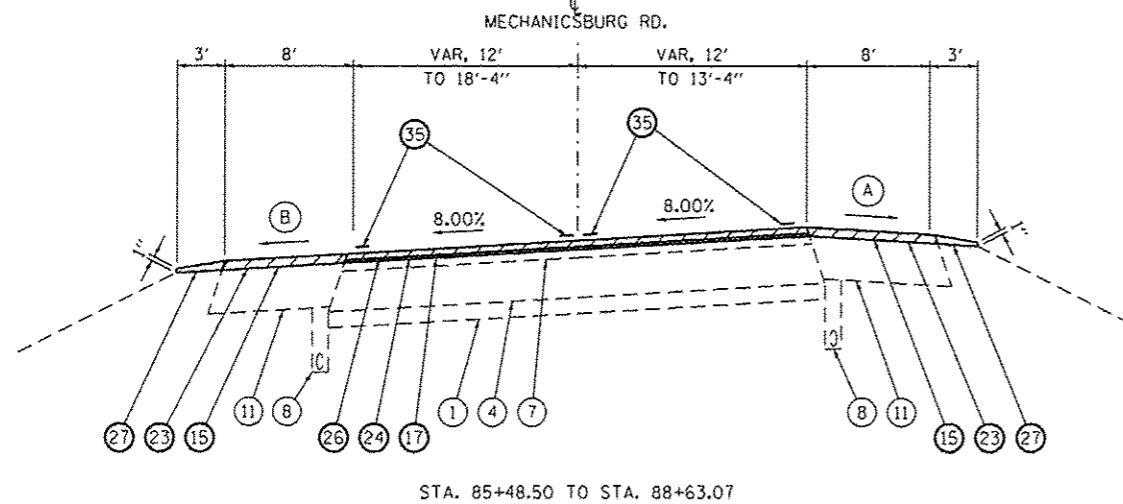
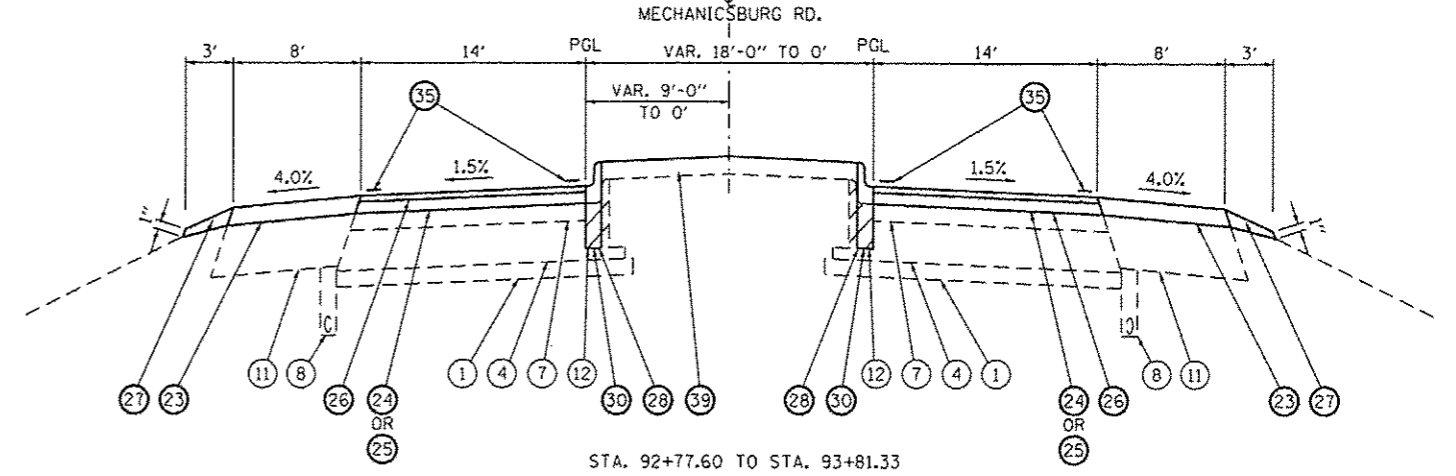


STA. 93+81.33 TO STA. 97+26.20
 STA. 103+01.10 TO STA. 106+23.23

NOTES:
 1. CONCRETE MEDIAN SURFACE 4" TO STA. 94+82.16 TO STA. 97+26.20.
 2. BRIDGE APPR. PVMT. CONNECTOR BEGINS STA. 98+46.90
 3. BRIDGE APPR. PVMT BEGINS STA. 98+52.9.



NOTES:
 1. ROADWAY ROTATES ABOUT CENTERLINE.
 2. CORRUGATED MEDIAN C-4 STA. 88+63.07 TO 90+27.75
 3. CONCRETE MEDIAN SURFACE 4" ENDS STA. 91+16.00



(A) WHEN THE SUPERELEVATION RATE OF THE PAVEMENT IS BETWEEN 0% AND 4%, THE SHOULDER SHALL BE SLOPED AT 4%. WHEN THE SUPERELEVATION RATE OF THE PAVEMENT EXCEEDS 4%, THE SHOULDER SHALL BE SLOPED SO THAT THE ALGEBRAIC DIFFERENCE BETWEEN PAVEMENT AND SHOULDER WILL NOT BE GREATER THAN 10%.

(B) SLOPE SHALL BE THE SAME AS THE SUPERELEVATION RATE, BUT NOT LESS THAN 4%.

LEGEND

- 1 EXISTING STABILIZED SUBBASE 4"
- 2 EXISTING CRCP PAVEMENT 8"
- 3 EXISTING CONCRETE PAVEMENT, 8"
- 4 EXISTING HMA BASE COURSE, 10"
- 5 EXISTING HMA CONCRETE 3/4"
- 6 EXISTING HMA CONCRETE 3/4"
- 7 EXISTING HMA CONCRETE 4 1/4"
- 8 EXISTING UNDERDRAIN
- 9 EXISTING BITUMINOUS SHOULDER, 8 3/4"
- 10 EXISTING BITUMINOUS SHOULDER, 11 1/4"
- 11 EXISTING BITUMINOUS SHOULDER, 12 1/4"
- 12 EXISTING CC&G, TY M-6.12
- 13 EXISTING CONC. MED. SURFACE, 4"
- 14 PROPOSED SUBBASE GRANULAR MATERIAL, TYPE B
- 15 PROPOSED HOT-MIX ASPHALT SURFACE REMOVAL, 3/4"
- 16 PROPOSED HOT-MIX ASPHALT SURFACE REMOVAL, 1 1/2"
- 17 PROPOSED HOT-MIX ASPHALT SURFACE REMOVAL, VAR. DEPTH (2 1/2" MAX.)
- 18 PROPOSED HOT-MIX ASPHALT SURFACE REMOVAL, 3 1/4"
- 19 PROPOSED POLYMERIZED HOT-MIX ASPHALT BINDER COURSE, IL-19.0, N90, 2 1/4"
- 20 PROPOSED POLYMERIZED HOT-MIX ASPHALT SURFACE COURSE, MIX "D", N90, 1 1/2"
- 21 PROPOSED HOT-MIX ASPHALT SHOULDERS, 2" (W/RUMBLE STRIPS STD. 642001)
- 22 PROPOSED HOT-MIX ASPHALT SHOULDERS, 2 3/4" (W/RUMBLE STRIPS STD. 642001)
- 23 PROPOSED HOT-MIX ASPHALT SHOULDERS, VAR. DEPTH (2" MIN.)
- 24 PROPOSED LEVELING BINDER (MACHINE METHOD), N70, VAR. DEPTH (3/4" MIN. CH 12, 1" MIN. TR 420), 2 1/4" MAX.)
- 25 PROPOSED HOT-MIX ASPHALT BINDER COURSE, IL 19.0, N70, VAR. DEPTH (2 1/4" MIN.)
- 26 PROPOSED HOT-MIX ASPHALT SURFACE COURSE, MIX "C", N70, 1 1/2"
- 27 PROPOSED AGGREGATE WEDGE SHOULDER, TYPE B
- 28 PROPOSED CURB REMOVAL
- 29 PROPOSED MEDIAN SURFACE REMOVAL
- 30 PROPOSED CC&G, TYPE M-6.06
- 31 PROPOSED CONC. MEDIAN SURFACE, 4"
- 32 PROPOSED CORRUGATED MEDIAN
- 33 PROPOSED CONCRETE MEDIAN, SM 6.06
- 34 PROPOSED MODIFIED URETHANE PAVEMENT MARKING, LINE 5"
- 35 PROPOSED PAINT PAVEMENT MARKING, LINE 5"
- 36 PROPOSED PAINT PAVEMENT MARKING, LINE 6"
- 37 PROPOSED EMBANKMENT
- 38 PROPOSED STEEL PLATE BEAM GUARDRAIL, 6' POSTS
- 39 PROPOSED TOPSOIL
- 40 PROP. HOT-MIX ASPHALT BASE COURSE, 14 1/4"
- 41 PROP. HOT-MIX ASPHALT BASE COURSE, 8 3/4"

USER NAME: sparkgw	DESIGNED: BTM	REVISED:	STATE OF ILLINOIS DEPARTMENT OF TRANSPORTATION	TYPICAL SECTIONS		F.A.I. RTE. 1722	SECTION *	COUNTY SANGAMON	TOTAL SHEETS 194	SHEET NO. 70
PLLOT SCALE: 12.0000' / 1"	DRAWN: BTM	REVISED:		SCALE:	SHEET NO. OF SHEETS	STA. TO STA.	* (84-10-1RS-3,84-10-2RS-4)BR.1		CONTRACT NO. 72C90	
PLLOT DATE: Sep-06-2013 09:04:50AM	CHECKED: JSA	REVISED:					ILLINOIS FEB. AID PROJECT			
	DATE: 12/19/12	REVISED:					(84-10-1,2)RS-3 & (84-10-2)RS-4			